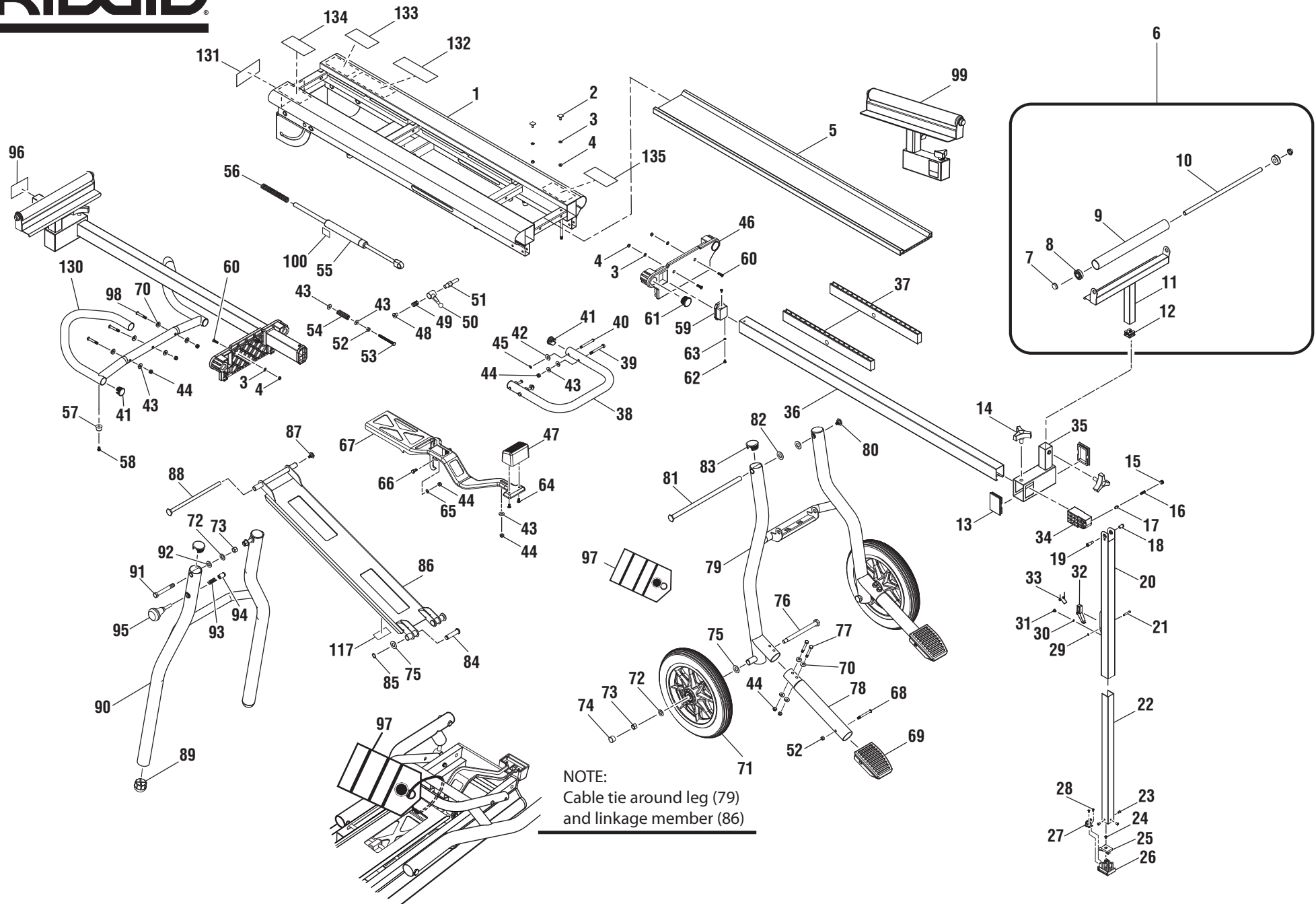
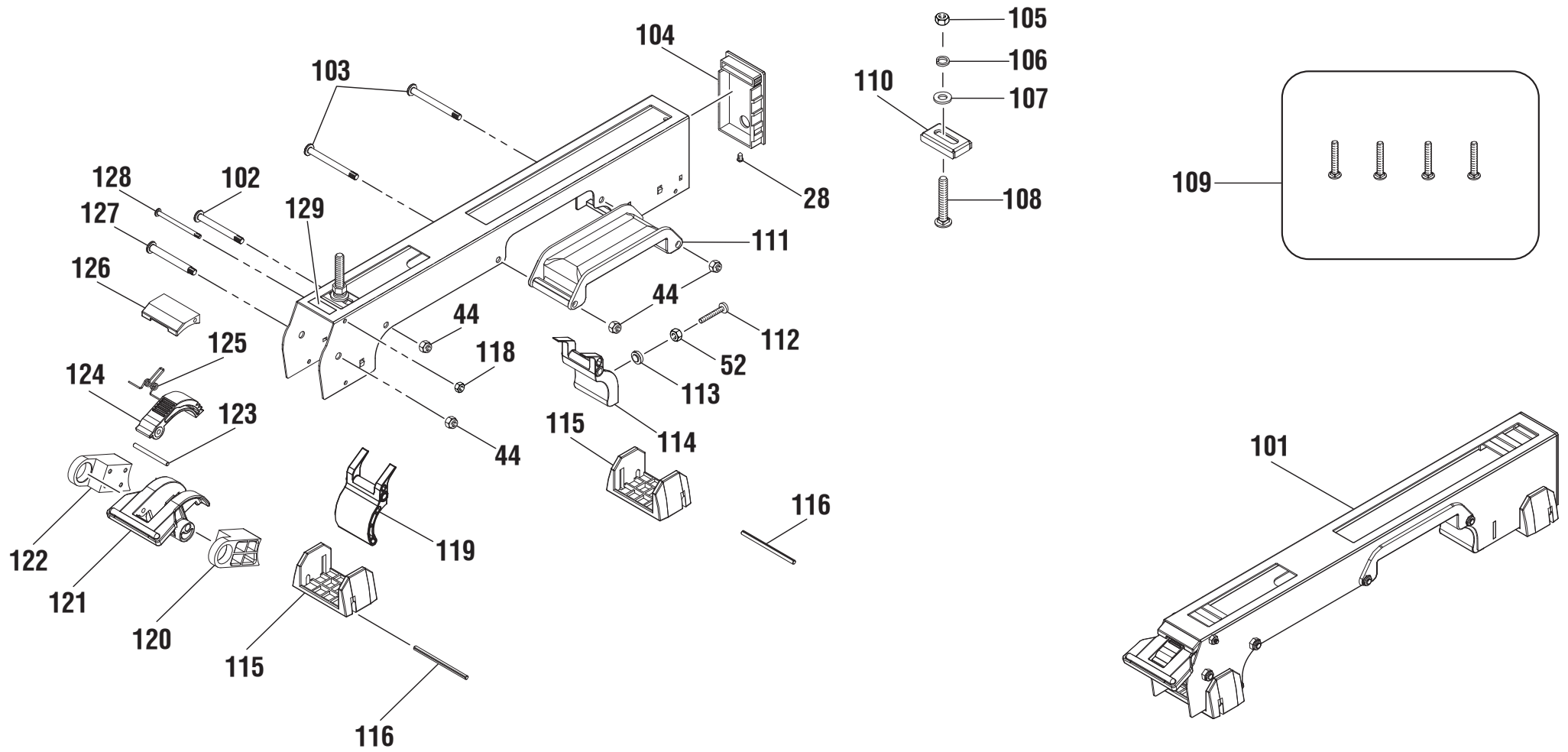


RIDGID

AC9944







AC9944

KEY	P/N	DESCRIPTION	QTY	KEY	P/N	DESCRIPTION	QTY	KEY	P/N	DESCRIPTION	QTY
1	000900510001	WORKSTAND FRAME	1	47	000900510046	LOCK MECHANISM ACTUATOR	1	93	000900510092	SPRING	1
2	000900510002	"T" BOLT (M5x12)	8	48	000900510047	BOLT (3/8"-16 UNC)	2	94	000900510093	LOCKING PIN	1
3	000900510003	WASHER (10x5.5x1.0)	12	49	000900510048	SPRING COMPRESSION (13.5x20.5x7)	2	95	000900510094	LOCK KNOB LOCKING PIN	1
4	000900510004	NYLOCK NUT (M5)	12	50	000900510049	HANDLE	2	96	000900510165	END CAP	1
5	000900510005	CENTRAL WORK SURFACE	1	51	000900510050	ABNORMAL NUT (3/8"-16 UNC)	2	97	000900510906	WARNING (HANG TAG)	1
6	000900510801	WORK SUPPORT ASSEMBLY	2	52	000900510051	HEX NUT (M6)	5	98	000900510097	SCREW (M6x38)	3
7	000900510006	ROLLER CAP	4	53	000900510052	HEX BOLT (M6x63)	1	99	986941001	WORK SUPPORT AND BRACKET	1
8	000900510007	ROLLER BEARING CAP	4	54	000900510053	LATCH-SPRING	1	100	000900510137	PISTON WARNING LABEL	1
9	000900510008	ROLLER	2	55	000900510054	GAS SPRING	1	101	000900510802	SAW MOUNTING BRACKET ASSEMBLY	2
10	000900510009	ROLLER SHAFT	2	56	000900510055	SPRING (15.5x110x4.5)	1	102	000900510100	SCREW, PAN HD (M6x57)	2
11	000900510010	WORK SUPPORT FRAME	2	57	000900510056	RUBBER FOOT	4	103	000900510101	SCREW, PAN HD (M6x63)	4
12	000900510011	WORK SUPPORT END CAP	2	58	000900510057	SCREW (M6x8)	4	104	000900510103	SAW MOUNTING BRACKET END CAP	2
13	000900510012	MOUNTING BRACKET END CAP	4	59	000900510058	SPACE PLUG	2	105	000900510104	HEX NUT (5/16 in.)	4
14	000900510013	KNOB	4	60	000900510059	SCREW (M5x18)	4	106	000900510105	SPRING WASHER (5/16 in.)	4
15	000900510014	RIVET BOLT (M10)	1	61	000900510060	END CAP PLUG	2	107	000900510106	WASHER (5/16xD16x2.0T)	4
16	000900510015	SPRING COMPRESSION (6x20x2)	1	62	000900510061	SELF TAPPING SCREW (M4x10)	4	108	000900510107	CARRIAGE BOLT (5/16-18x2 in.)	4
17	000900510016	SPRING PIN	1	63	000900510062	SPRING WASHER (6x4.2x1)	2	109	000900510108	CARRIAGE BOLT (5/16-18x1.5 in.)	4
18	000900510017	EXTENSION KNUCKLE NUT	1	64	000900510063	SELF TAPPING SCREW (M5x12)	2	110	000900510109	ADJUSTMENT PLATE	4
19	000900510018	EXTENSION KNUCKLE BOLT	1	65	000900510064	WASHER (12x6.6x1.0)	2	111	000900510110	MOUNTING BRACKET HANDLE	2
20	000900510019	MAIN SUPPORT LEG TUBE	1	66	000900510065	HEX BOLT (M6x13)	2	112	000900510111	SCREW, PAN HD (M6x30)	2
21	000900510020	ROUND PIN (4)	1	67	000900510066	LEG SET LOCKING MEMBER	1	113	000900510112	REAR CLAMP PROTECTOR	2
22	000900510021	ADJUSTMENT LEG	1	68	000900510067	BOLT, PHILLIPS (M6x55)	2	114	000900510113	REAR CLAMP	2
23	000900510022	SCREW, FLAT HD (M4x10)	3	69	000900510068	RESTING FOOT	2	115	000900510114	MOUNTING BRACKET FEET	4
24	000900510023	SCREW, PAN HD (M4x8)	1	70	000900510069	SPRING WASHER (16x6.5x1.5)	11	116	000900510115	SPRING PIN (4x71)	4
25	000900510024	ADJUSTABLE LEG FOOT CAP	1	71	000900510070	WHEEL	2	117	000900510132	DATA LABEL	1
26	000900510025	ADJUSTABLE LEG FOOT	1	72	000900510071	WASHER (20x10.5x1.5)	4	118	000900510117	NYLOCK NUT (M4)	2
27	000900510026	SNAP LOCK INSERT	1	73	000900510072	NYLOCK NUT (M10)	4	119	000900510118	FRONT CLAMP	2
28	000900510027	SCREW, ROUND HD (M4x8)	3	74	000900510073	RUBBER CAP	2	120	000900510119	MOUNTING BRACKET RIGHT CAM	2
29	000900510028	E-RING E3	1	75	000900510074	WASHER (24x13x2)	4	121	000900510120	LOCKING LEVER	2
30	000900510029	SPRING WASHER (5)	1	76	000900510075	SHOULDER BOLT (M10x141)	2	122	000900510121	MOUNTING BRACKET LEFT CAM	2
31	000900510030	RIVET SCREW (M5)	1	77	000900510076	HEX BOLT (M6x48)	4	123	000900510122	PIN (4x45)	2
32	000900510031	LEG LATCH INSERT	1	78	000900510077	SUPPORT LEG	2	124	000900510123	RATCHETING LEVER	2
33	000900510032	TORSION SPRING	1	79	000900510078	SLIDING LEG SET	1	125	000900510124	RATCHETING LEVER SPRING	2
34	000900510033	HINGE KNUCKLE	1	80	000900510079	AXLE HEX BOLT (M6x13)	1	126	000900510125	RATCHET STOP	2
35	000900510034	WORK SUPPORT MOUNTING BRACKET	2	81	000900510080	SLIDE AXLE (12.5)	1	127	000900510126	SHOULDER SCREW, PAN HD (M6x58)	2
36	000900510035	EXTENSION ARM	2	82	000900510081	PLASTIC WASHER (25.4x13x2.0)	2	128	000900510127	SCREW, PAN HD (M4x56)	2
37	000900510036	PLASTIC SLIDING MEMBER	2	83	000900510082	LEG END CAP	4	129	000900510128	BRACKET WARNING LABEL	2
38	000900510037	LIFT ASSIST HANDLE	1	84	000900510083	PIN (12x50)	2	130	000900510143	TRANSPORT HANDLE	1
39	000900510038	HEX BOLT (M6x58)	2	85	000900510084	C-RING (12)	2	131	000900510901	SET UP LABEL	1
40	000900510039	ROUND PIN	2	86	000900510085	LINKAGE MEMBER	1	132	000900510902	FOLD DOWN LABEL	1
41	000900510040	END CAP	4	87	000900510086	BRACE AXLE BOLT (M6x13)	1	133	000900510903	WARNING LABEL-ENGLISH	1
42	000900510041	PLASTIC WASHER (19x6.8x2.0)	4	88	000900510087	BRACE AXLE (9.5)	1	134	000900510904	LABEL WARNING-FRENCH/SPANISH	1
43	000900510042	WASHER (16x6.5x1.5)	8	89	000900510088	LEG CAP	2	135	000900510905	SAW LOCATION WARNING LABEL	1
44	000900510043	NYLOCK NUT (M6)	19	90	000900510089	SWINGING LEG SET	1		987000043	OPERATOR'S MANUAL (000900510140)	1
45	000900510044	E-RING	2	91	000900510090	HEX BOLT (M10x75)	2		9-28-09		
46	000900510045	END CAP	2	92	000900510091	WASHER (20x10.5x2.0)	2		(REV:04)		