

RIDGID PUMP ASSEMBLY – MODEL NO. AC11301

The model number will be found on a label attached to housing. Always mention the model number in all correspondence regarding your **PUMP ASSEMBLY** or when ordering replacement parts.

FIGURE A

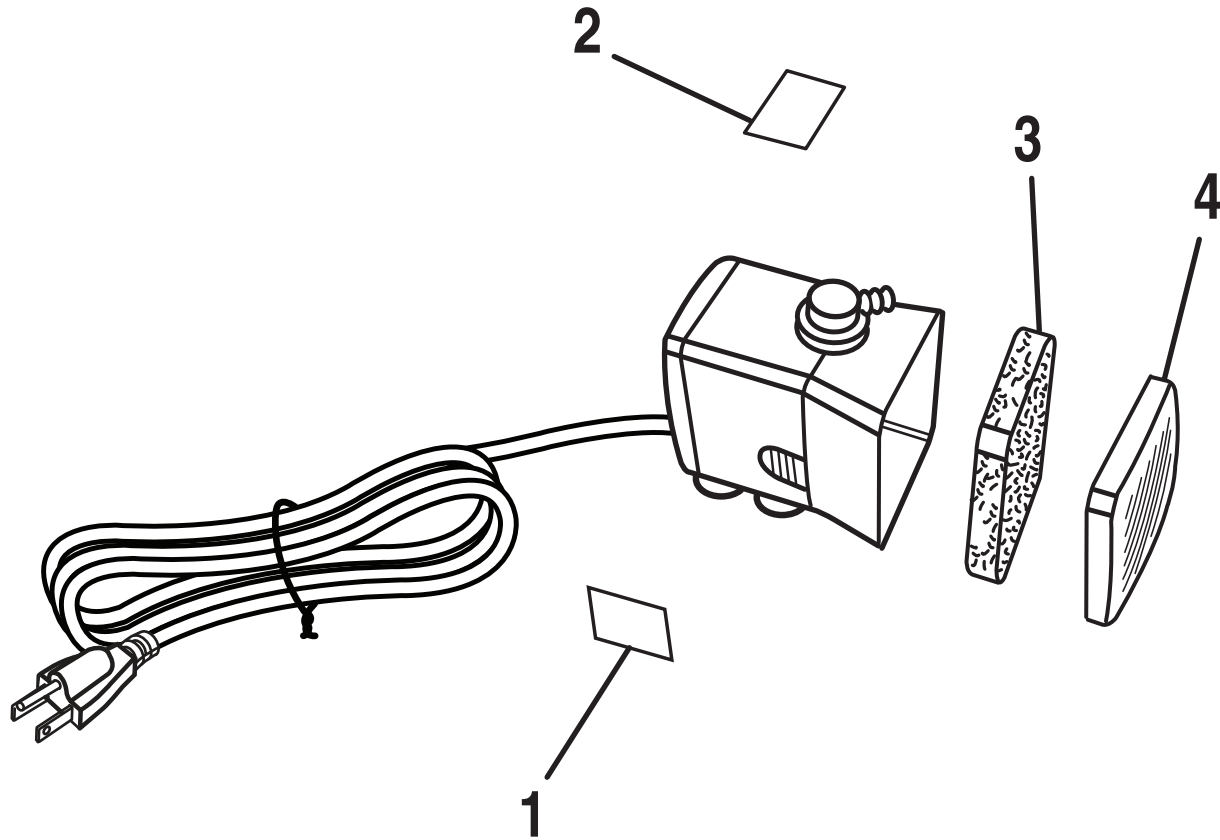


FIGURE A PARTS LIST

KEY NO.	PART NUMBER	DESCRIPTION	QTY.	KEY NO.	PART NUMBER	DESCRIPTION	QTY.
1	080009005913	Pump Logo	1	NOT SHOWN:			
2	080009005914	Data Label.....	1	080009004912	Hang Tag	1	
3	080009006019	Pump Filter.....	1	987000632	Operator's Manual.....	1	
4	080009006004	Pump End Cap.....	1	8-21-09			
				(REV:01)			