

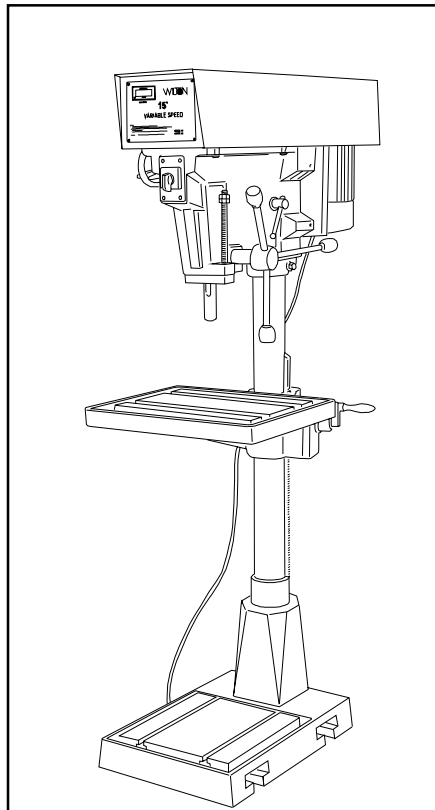


Operating Instructions — Parts Manual
15-Inch Vari-Speed Drill Press

Models: A5816, A5818, A3816, A3818

Manufactured after Serial No. 807137
5507564

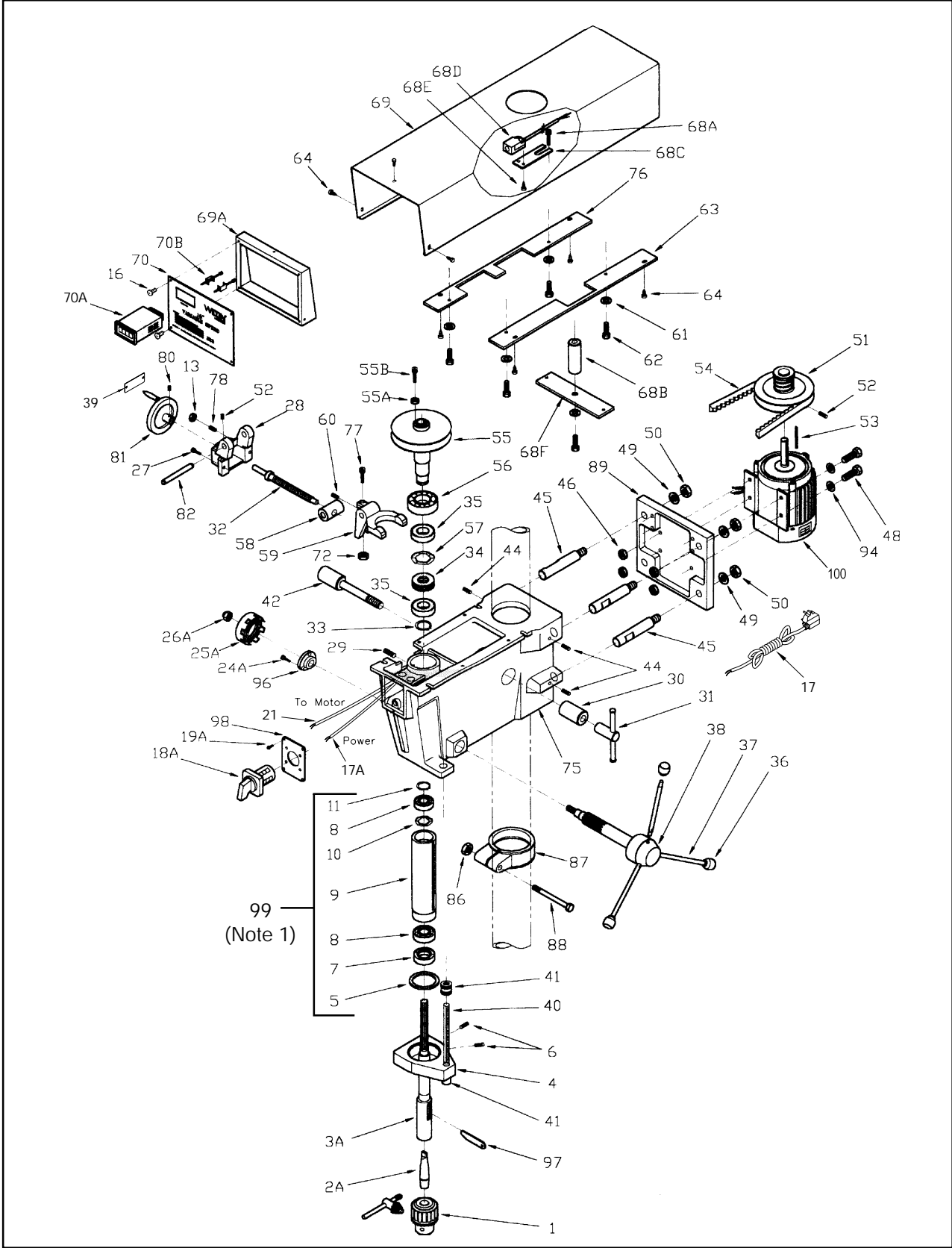
Part No.
Revision B6



WMH Tool Group, Inc.
2420 Vantage Dr.
Elgin, IL 60123
Ph: 847-649-3010
Fax: 847-851-1144

Exploded View — Head

Models: A5816, A5818, A5836, & A5838



Parts List - Head

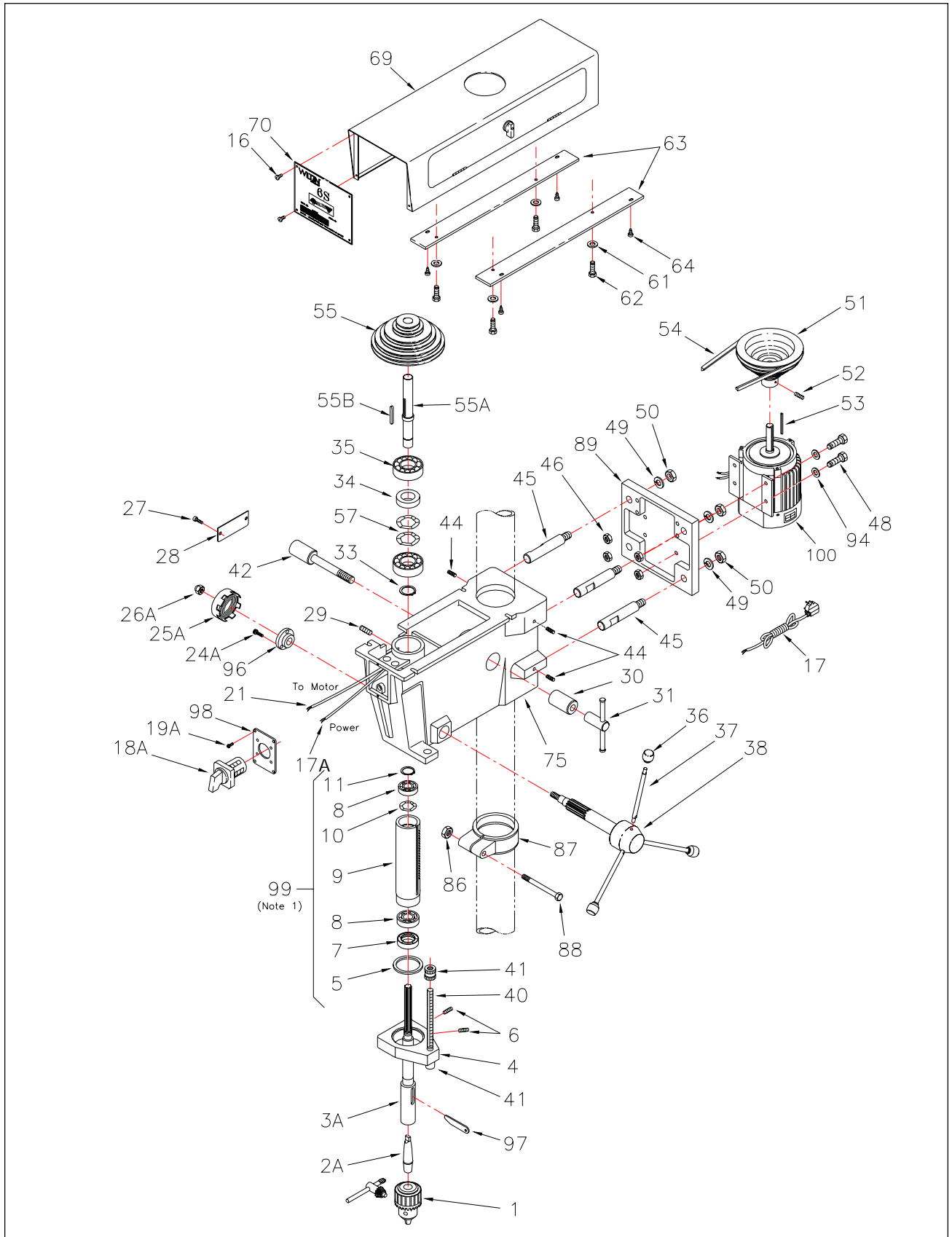
Models A5816, A5818, A5836 and A5838

Item No.	Part Number	Description	Qty	Item No.	Part Number	Description	Qty
1	5507580	Chuck (with Key)	1	53	5042011	Key (Motor)	1
2A	5507495	#2 MT x JT3 Arbor	1	54	9077101	Variable Speed Belt	1
3A	5507496	Spindle Assembly	1	55	5041140	Vaiable Speed Pulley (Spindle)	1
4	5053070	Quill Band	1	55A	5513510	Hex Nut	1
5	9010541	O-Ring	1	55B	5513511	SHCS	1
6	9054511	Set Screw 5/16-18 x 3/8	2	56	9100421	Bearing	1
7	5032611	Bearing Retainer	1	57	9058571	Spring Washer	1
8	9100331	Bearing	2	58	5041761	Speed Change Nut	1
9	5041010	Quill	1	59	5041040	Speed Change Lever	1
10	9058561	Wavy Spring Washer	1	60	9127951	Socket Set Screw 1/4-20 x 1/2	1
11	9074081	Truarc Retainer	1	61	9057461	Washer 1/4	3
13	9056981	Hex Jam Nut 1/4-20	3	62	9052101	Hex Head Cap Screw 1/4-20 x 1	4
16	5518170	Sloted self taping Screw 3/16-24 x 3/8	5	63	5041271	Right Mounting Plate	1
17	5518157	Power Cord (1-Phase)	1	64	5518170	Self Tapping Screw 3/16-24 x 3/8	7
17A	5517463	Power Cord (3-Phase)	1	68A	TS-0208041	SHCS 5/16-18x3/4	2
18A	5507500	Switch (Single Phase)	1	68B	5513513	Spacer, Threaded	1
	5507497	Switch (3-Phase)	1	68C	5513514	Plate, Bracket	1
19A	5507501	Slotted Machine Screw 1/4-20 x 1	4	68D	5513515	Pickup, Magnetic	1
				68E	5513516	Screw	2
21	5518158	Wiring Harness (1-Phase)	1	68F	5513521	Plate	1
	5517457	Wiring Harness (3-Phase)	1	69	5041320	Cover, Pulley	1
24A	5507502	Socket Head Cap Screw	3	69A	5513517	Bracket, Face Plate	1
25A	5507503	Return Spring Assemblby	1	70	5513518	Plate, Face	1
26A	5507504	Nylon Nut	1	70A	5513519	LED Display 1Ph	1
27	9135311	Lock Screw 1/4-20 x 1	2		5513736	LED Display 3 Ph	
28	5041050	Speed Change Housing	1	70B	5513520	Screw, Locking	1
29	9127731	Socket Set Screw 5/16-18 x 5/16	1	72	9056771	Hex Jam Nut 3/8-16	1
30	5024541	Head Lock (Plain Side)	1	75	5041000	Head Casting	1
31	1000771	Lock Nut Assembly	1	76	5518172	Left Mounting Plate	1
32	5041071	Speed Change Shaft	1	77	9052831	Socket Set Screw 3/8-16 x 1	1
33	9053661	Retainer	1	78	TS-0267101	Socket Set Screw 1/4-20 x 1-1/4	1
34	5041201	Bearing Spacer	1	80	9052971	Socket Set Screw 5/16-18 x 5/16	1
35	9100321	Bearing	2	81	5034111	Hand Wheel	1
36	9070291	Knob	3	82	5513737	Shaft speed change lever	1
37	5053000	Spoke	3	86	9129051	Hex Nut 7/16-14	1
38	5507827	Feed Shaft Assembly	1	87	5041470	Collar	1
39	5513378	Hi/Lo Speed Direction Plate	1	88	9128071	Hex Head Cap Screw 7/16-14 x 3-1/2	1
40	5053100	Rod, Graduated	1	89	5032560	Motor Mounting Bracket	1
41	9056381	Jam Nut 5/8-11	3	94	TS-0680032	Washer 5/16	4
42	9128611	Hex Head Cap Screw 1/2-12 x 4	1	96	5507505	Return Spring Bracket	1
44	TS-0270031	set Screw 5/16-18 x 3/8	4	97	5507507	Drift Pin	1
45	5032781	Motor Plate Bar	4	98	5507506	Switch Mounting Plate	1
46	9057111	Whiz Flange Locknut	4	99	5507527	Quill Assembly (Note 1)	1
47	TS-0152051	Carriage Bolt 5/16-18 x 2	4	100	5507812	Motor, 1 PH 115/220 1725 RPM 60 Hz	1
48	9056171	Carriage Bolt 5/16-18 x 1-1/2	4		5514604	Motor, 1PH 115/220 1725 RPM 50 Hz	1
49	9058051	Split Lock Washer 1/2 ID	2		5507813	Motor, 3 PH 220/440 1725 RPM 50/60 Hz	1
50	9056841	Hex Nut 1/2-12	2				
51	5041170	Variable Speed Pulley (Motor)	1				
52	9054621	Socket Set Screw 1/4-20 x 1/2	2				

Note 1: Quill assembly includes items 5, 7, 8, 9,10 and 11.

Exploded View — Head

Models: A3816, A3818, A3836 & A3838



Parts List - Head

Models: A3816, A3818, A3836 & A3838

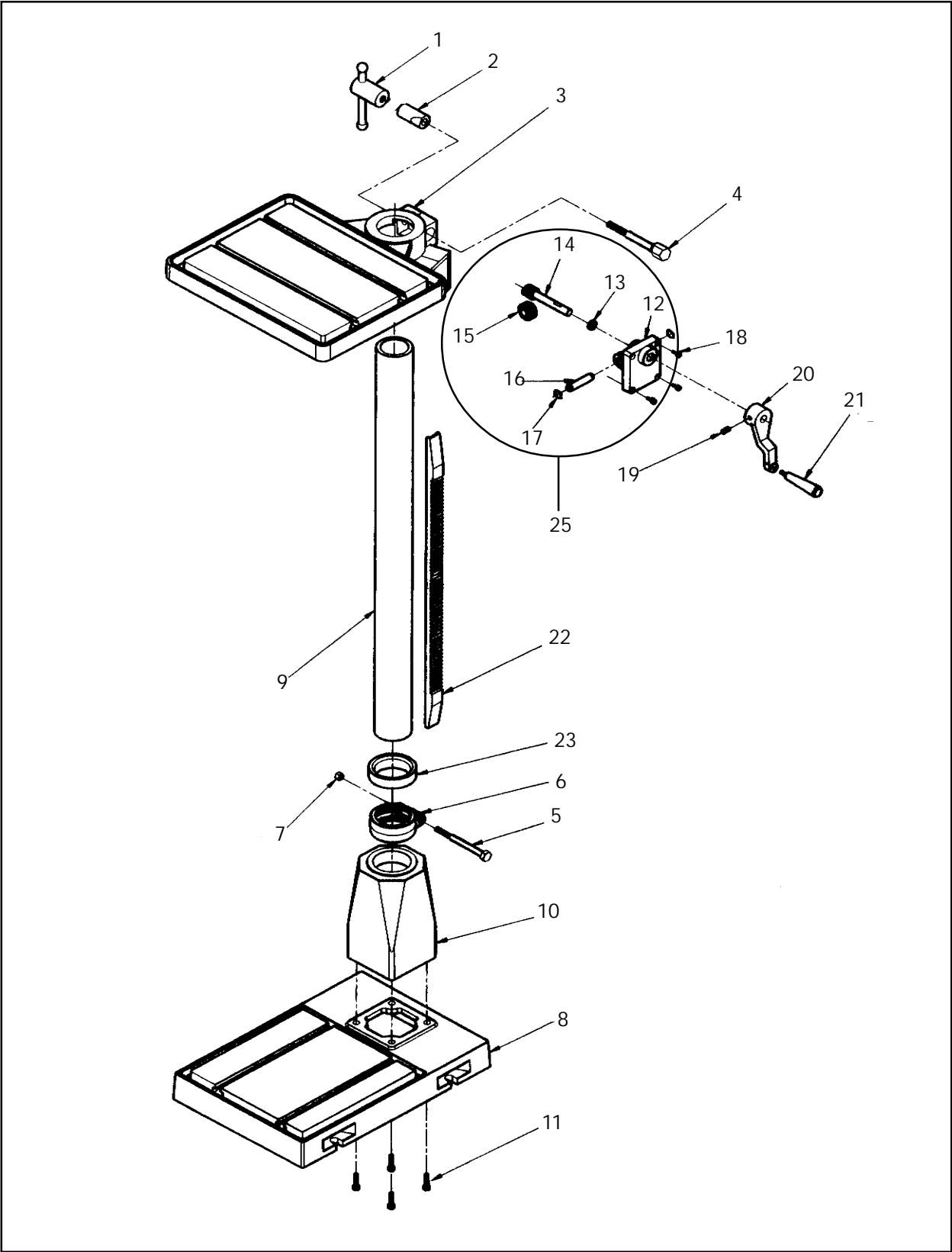
Item No.	Part Number	Description	Qty
1	5507580	Chuck (with Key)	1
2A	5507495	#2 MT x JT3 Arbor	1
3A	5507496	Spindle Assembly	1
4	5053070	Quill Band	1
5	9010541	O-Ring	1
6	9054511	Set Screw 5/16-18 x 3/8	2
7	5032611	Bearing Retainer	1
8	9100331	Bearing	2
9	5041010	Quill	1
10	9058561	Wavy Spring Washer	1
11	9074081	Truarc Retainer	1
16	9052711	Self Tapping Screw 8-32 x 3/8	4
17	5518157	Power Cord (Single Phase)	1
17A	5517463	Power Cord (3-Phase)	1
18A	5507500	Switch (Single Phase)	1
	5507497	Switch (3-Phase)	1
19A	5507501	Slotted Machine Screw	4
21	5518158	Wiring Harness (1-Phase)	1
	5517457	Wiring Harness (3-Phase)	1
24A	5507502	Socket Head Cap Screw	3
25A	5507503	Return Spring Assemblby	1
26A	5507504	Nylon Nut	1
27	5518159	Phillips Screw 1/4-20 x 5/16	2
28	5518160	Cover Plate	1
29	9127731	Socket Set Screw 5/16-18 x 5/16	1
30	5024541	Head Lock (Plain Side)	1
31	1000771	Lock Nut Assembly	1
33	9053661	Retainer	1
34	5041201	Bearing Spacer	1
35	9100321	Bearing	2
36	9070291	Knob	3
37	5053000	Spoke	3
38	5507827	Feed Shaft Assembly	1
40	5053100	Rod, Graduated	1
41	9056381	Jam Nut 5/8-11	3
42	9128611	Hex Head Cap Screw 1/2-13 x 4	1
44	9052191	Socket Set Screw 5/16-18 x 1/2	4
45	5032781	Motor Plate Bar	4
46	9057111	Whiz Flange Locknut	4
48	9056171	Carriage Bolt 5/16-18 x 1-1/2	4
49	9058051	Split Lock Washer 1/2 ID	4
50	9056841	Hex Nut 1/2-13	4
51	5518161	Step Pulley (Motor)	1
52	5518162	Socket Set Screw 1/4-20 x 5/16	2
53	5042011	Key (Motor)	1
54	5518163	Drive Belt	1
55	5518164	Step Pulley (Spindle)	1
55A	5518165	Spindle Pulley Shaft	1
55B	5518166	Key 5 x 45	1

Item No.	Part Number	Description	Qty
57	9058571	Spring Washer	2
61	9057461	Washer 1/4	3
62	9052101	Hex Head Cap Screw 1/4-20 x 1	4
63	5518167	Mounting Plate	2
64	9138011	Self Tapping Screw #10 x 3/4 Type A	4
69	5518168	Pulley Cover (w/door & latch)	1
70	5518169	Face Plate	1
75	5041000	Head Casting	1
86	9129051	Hex Nut 7/16-14	1
87	5041470	Collar	1
88	9128071	Hex Head Cap Screw 7/16-14 x 3-1/2	1
89	5032560	Motor Mounting Bracket	1
94	9055281	Rubber Washer	4
96	5507505	Return Spring Bracket	1
97	5507507	Drift Pin	1
98	5507506	Switch Mounting Plate	1
99	5507527	Quill Assembly (Note 1)	1
100	5507812	Motor, 1 PH 115/220 1725 RPM 60 Hz	1
	5514604	Motor, 1PH 115/220 1725 RPM 50 Hz	1
	5507813	Motor, 3 PH 220/440 1725 RPM 50/60 Hz	1

Note 1: Quill assembly includes items 5, 7, 8, 9, 10 and 11.

Exploded View - Base

(Floor Models A5816, A5818, A3816 & A3818)



Parts List - Base

(Floor Models A5816, A5818, A3816 & A3818)

Item No.	Part Number	Description	Qty
1	1000771	Locknut	1
2	5003751	Table Lock (Plain Side)	1
3	5507508	Table	1
4	5507509	Hex Head Cap Screw	1
5	TS-0061091	Cap Screw 7/16-14 x 3-1/2	1
6	5041470	Collar	1
7	9129051	Hex Nut 7/16-14	1
8	5507528	Base	1
9	5507510	Standard Column	1
	5511850	Short Column	1
10	5507511	Flange (Base/Column)	1
11	5630771	HHCS 1/2-12 x 1-1/2	4
12	5507571	Cover Plate	1
13	5507570	Bushing	1
14	5507513	Worm, Table Raiser	1
15	5507514	Gear, Table Raiser	1
16	5507515	Shaft, Table Raiser	1
17	5507516	C-Ring, Table Raiser	2
18	TS-0050051	SHCS 1/4 x 1	4
19	5507518	Socket Head Set Screw 5/16-18 x 3/8	1
20	5507519	Crank, Table Raiser	1
21	5507520	Handle, Table Raiser	1
22	5507521	Rack	1
23	5507522	Rack Ring	1
25	5507816	Table Raiser Assembly	1