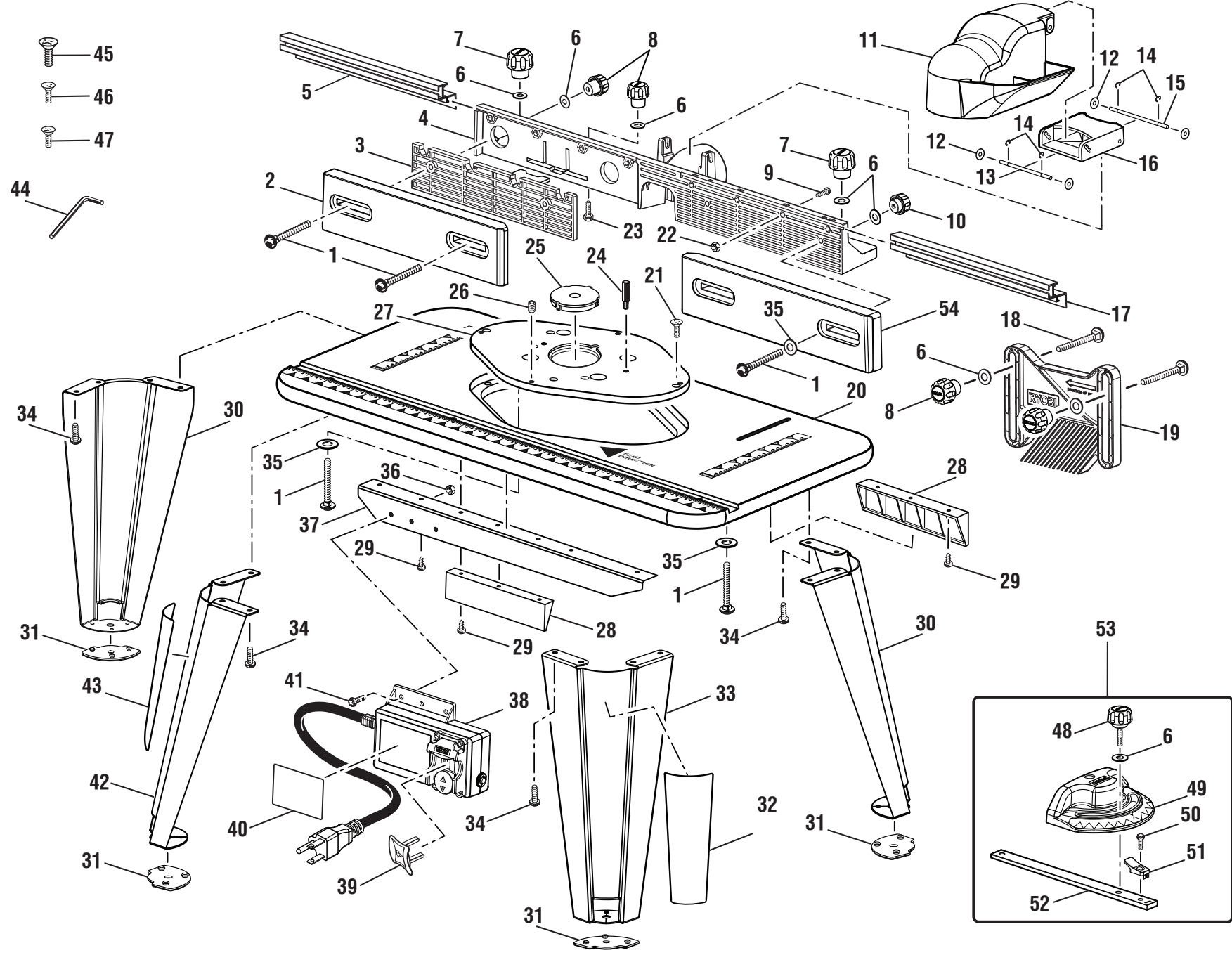


RYOBI ROUTER TABLE - MODEL NUMBER A25RT02



RYOBI ROUTER TABLE – MODEL NUMBER A25RT02

PARTS LIST

KEY NO.	PART NUMBER	DESCRIPTION	QTY	KEY NO.	PART NUMBER	DESCRIPTION	QTY
1	9002780019	* CARRIAGE BOLT (1/4-20 x 1 3/4 in.)	6	28	9002780006	UNDER TABLE GUARD	2
2	9002800005	LEFT SLIDING FENCE FACE	1	29	9002780051	WOOD SCREW	10
3	9002800004	JOINING FENCE	1	30	9002780005	REAR TABLE LEG (INC. KEY 31)	2
4	9002800003	FENCE	1	31	9002780042	RUBBER PAD	4
5	9002800017	T-TRACK (LEFT SIDE)	1	32	9002780044	WARNING LABEL (SPANISH/FRENCH)	1
6	9002780021	LOCK KNOB WASHER	7	33	9002780004	RIGHT FRONT TABLE LEG (INC. KEY NOS. 31-32)	1
7	9002780022	LARGE LOCK KNOB	2	34	9002780015	LEG SCREW	16
8	9002780032	SMALL LOCK KNOB W/SHOULDER	5	35	9002780020	CARRIAGE BOLT WASHER	6
9	9002800019	T-TRACK SCREW (10-24 x 5/8 in.)	8	36	9002780017	* SWITCH BOX NUT (1/4-20 in.)	3
10	9002780033	SMALL LOCK KNOB	2	37	9002780047	FRONT RAIL	1
11	9002800010	CUTTER/BIT GUARD	1	38	9002800007	SWITCH BOX (INC. KEY NOS. 39-40)	1
12	9002780040	FLAT WASHER	4	39	9002780070	SWITCH KEY	1
13	9002780037	SHORT HINGE PIN	1	40	9002800026	DATA LABEL	1
14	9002780039	E-RING	4	41	9002780016	* SWITCH BOX SCREW (1/4-20 x 5/8 in.)	3
15	9002780038	LONG HINGE PIN	1	42	9002780003	LEFT FRONT TABLE LEG (INC. KEY NOS. 31 AND 43)	1
16	9002780036	CUTTER GUARD BRACKET	1	43	9002780043	WARNING LABEL (ENGLISH)	1
17	9002800018	T-TRACK (RIGHT SIDE)	1	44	9002780026	HEX KEY (1/8 in.)	1
18	9002800016	FEATHERBOARD CARRIAGE BOLT (1/4. x 20 x 1/4 in.)	2	45	9002780023	* SCREW (5/16-18 x 3/4 in.)	3
19	9002800009	FEATHERBOARD	1	46	9002780024	* SCREW (10-24 x 5/8 in.)	3
20	9002800025	ROUTER TABLE TOP	1	47	9002780025	* SCREW (10-32 x 5/8 in.)	3
21	9002780055	* INSERT PLATE SCREW (10-24 x 3/4 in.)	2	48	9002780073	MITER GAUGE LOCK KNOB	1
22	9002800020	T-TRACK NUT (10-24)	8	49	9002780058	MITER GAUGE	1
23	9002780034	* HEX BOLT (1/4-20 x 7/8 in.)	1	50	9002780060	MITER GAUGE SCREW	1
24	9002780014	STARTING PIN	1	51	9002780062	POINTER	1
25	9002780009	THROAT PLATE-A (1/2 in.)	1	52	9002780059	BAR	1
	9002780010	THROAT PLATE-B (1 in.)	1	53	9002780008	MITER GAUGE ASSEMBLY (INC. KEY NOS. 6, 48-52)	1
	9002780011	THROAT PLATE-C (1-3/16 in.)	1	54	9002800006	RIGHT SLIDING FENCE FACE	1
	9002780012	THROAT PLATE-D (1-1/2 in.)	1		987000115	OPERATOR'S MANUAL (NOT SHOWN)	
	9002780013	THROAT PLATE-E (2 in.)	1		03-22-07		
26	9002780054	* LEVELING SCREW (1/4-20 x 5/16 in.)	4		(REV:00)		
27	9002780072	INSERT PLATE (INC. KEY 26)	1				

* STANDARD HARDWARE ITEM – MAY BE PURCHASED LOCALLY