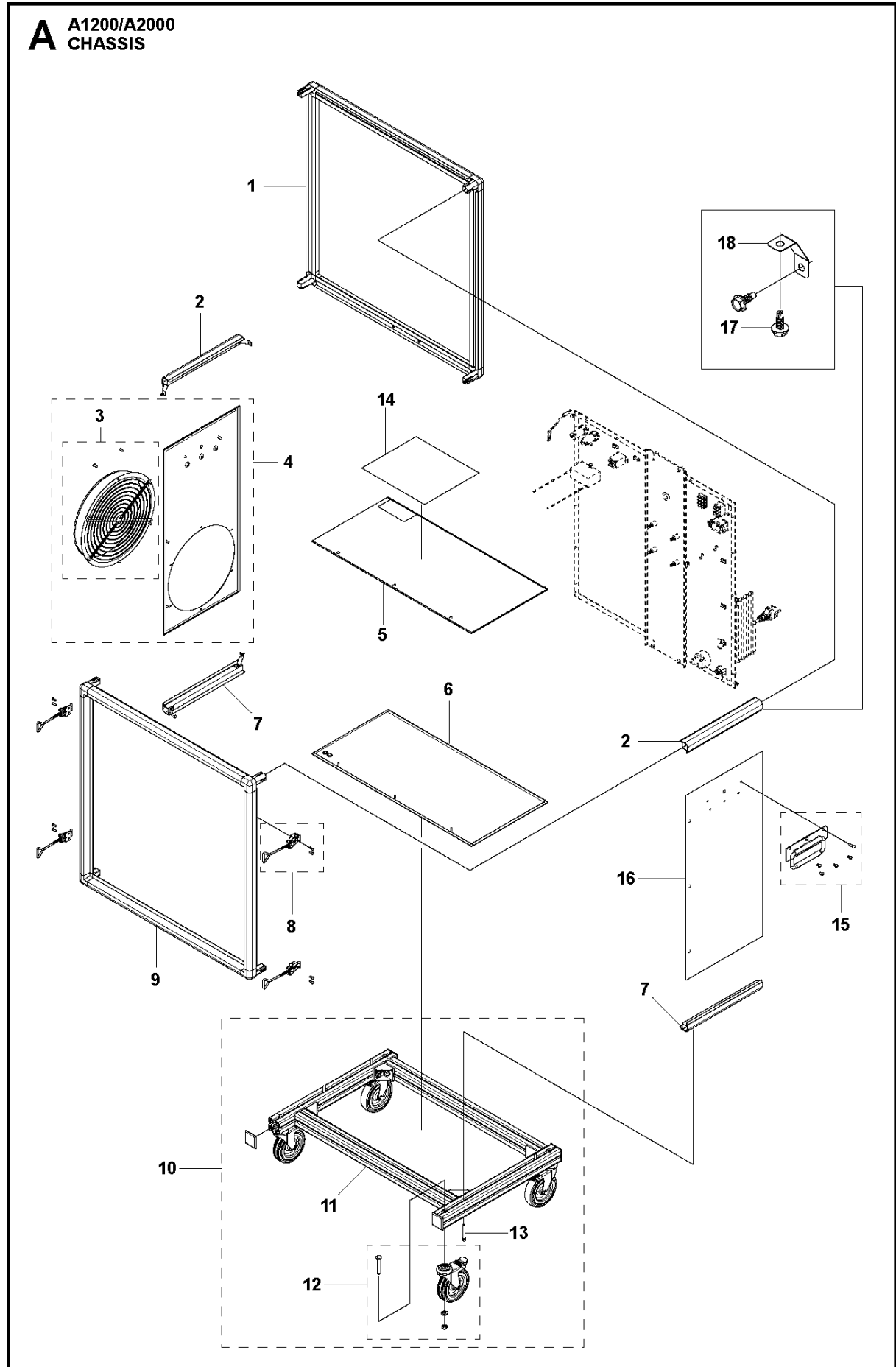




SPARE PARTS LIST

DUST AND SLURRY MANAGEMENT

A1200/A2000, 2020-02

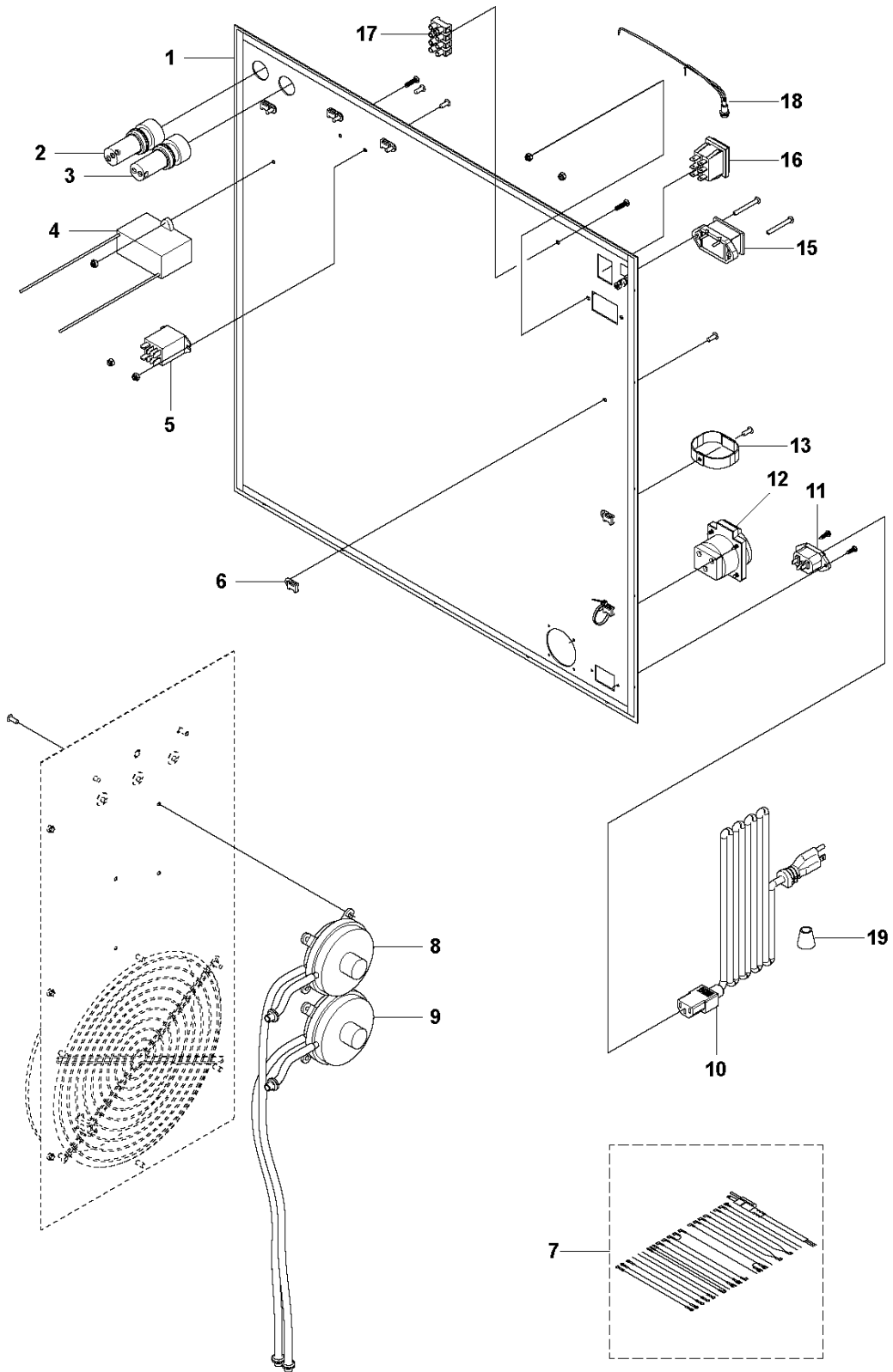


CHASSIS

A1200/A2000, 2020-02

Ref	Part No	Description	Remark	QTY KIT
1	597 44 52-01	FRAME ASSY		1
2	592 67 69-01	PROFILE		2
3	590 46 38-01	EXHAUST		1
4	592 12 23-02	PLATE KIT		1
5	592 12 21-02	PLATE KIT		1
6	591 95 12-02	PLATE		1
7	592 67 70-01	PROFILE		2
8	590 46 43-01	LATCH		4
9	597 95 11-01	FRAME ASSY		1
10	590 46 35-01	CARRIER		1
11	590 46 34-01	FRAME		1
12	590 46 40-01	WHEEL KIT		4
13	725 53 79-05	SCREW IHSCM		4
14	590 74 99-11	DECAL		1
15	590 46 36-01	HANDLE KIT		2
16	592 12 22-02	PLATE KIT		1
17	591 77 37-01	SCREW		8
18	597 37 96-01	GROUND PLATE		4

B A1200/A2000
ELECTRICAL

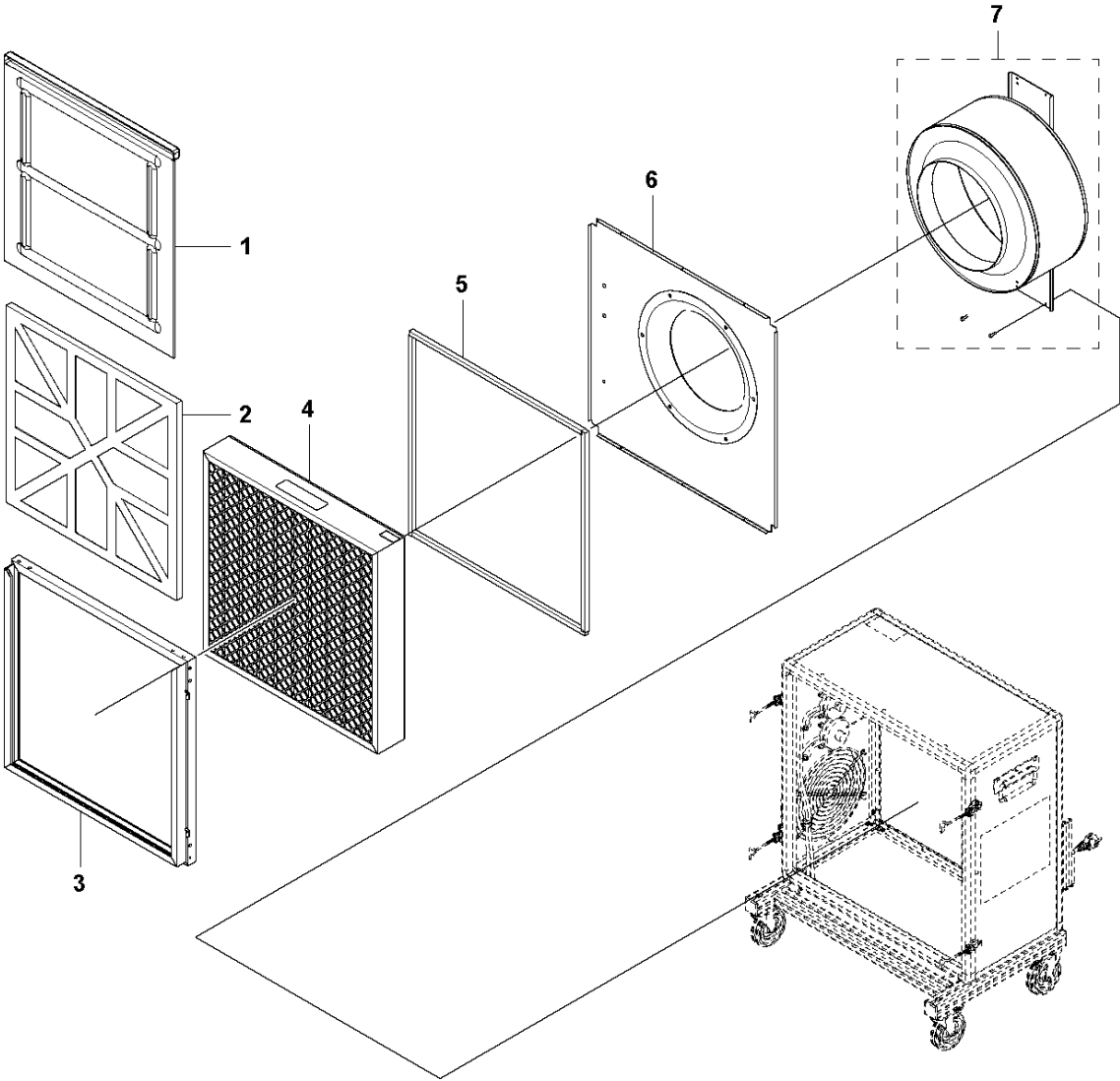


ELECTRICAL

A1200/A2000, 2020-02

Ref	Part No	Description	Remark	QTY KIT
1	597 95 10-05	PLATE KIT	UK	1
1	597 95 10-04	PLATE KIT	US	1
1	597 95 10-02	PLATE KIT	RoW	1
2	590 46 18-01	LAMP	Yellow, 110V	1
2	592 01 90-01	LAMP	Yellow, 230V	1
3	590 46 19-01	LAMP	Red, 110V	1
3	592 01 92-01	LAMP	Red, 230V	1
4	592 04 27-01	CAPACITOR	230V	1
4	590 47 53-01	ELECTRICAL SYSTEM	120V	1
5	590 46 13-01	RELAY	110V	1
5	592 04 18-01	RELAY	230V	1
6	591 98 30-01	HOLDER		5
7	597 47 40-01	DIAGRAM	EU & AU	1
7	597 47 40-02	DIAGRAM	US	1
7	597 47 40-03	DIAGRAM	UK & JP	1
8	599 43 43-01	SENSOR ASSY		1
9	599 43 44-01	SENSOR ASSY		1
10	593 71 74-08	POWER CORD	US	1
10	593 71 74-04	POWER CORD	UK	1
10	593 74 13-01	CORD	AUS	1
10	593 74 13-04	POWER CORD	JPN	1
10	593 74 13-01	CORD	EU	1
11	591 98 14-01	INLET	230V	1
12	590 46 23-01	RECEPTACLE	110V	1
12	592 01 67-01	SOCKET	230V	1
13	590 46 37-01	CORD BRACKET		1
15	590 41 53-01	HOUR METER		1
16	590 40 30-01	SWITCH		1
17	591 95 80-01	TERMINAL		1
18	597 46 67-01	FUSE HOLDER	US	1
19	597 45 52-01	CABLE GROMMET	US	1

C A1200/A2000
MOTOR & FILTER

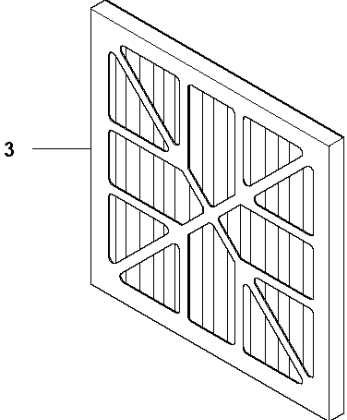
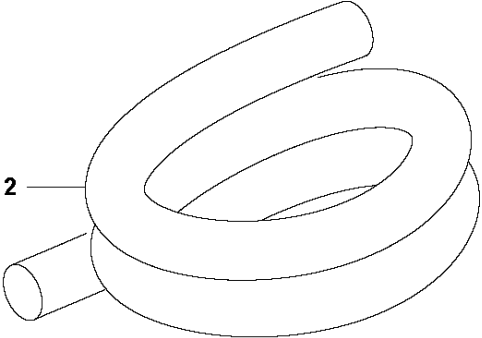
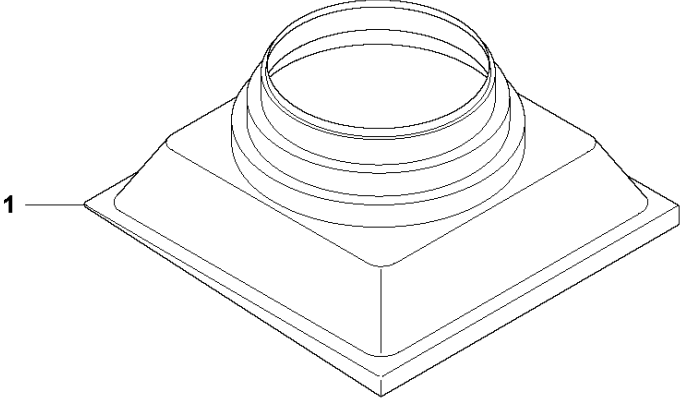


MOTOR

A1200/A2000, 2020-02

Ref	Part No	Description	Remark	QTY KIT
1	590 48 07-02	PROTECTION		1
2	590 43 00-02	FILTER	Pre Filter 20-pack	1
2	591 95 22-01	FILTER	Pre Filter Single pack (for local use only)	1
3	590 46 46-01	FRONT COVER		1
4	590 42 77-01	FILTER	HEPA filter	1
5	590 46 45-01	SEAL KIT		1
6	590 46 41-01	FAN COVER	US	1
6	592 04 26-01	PLATE	RoW	1
7	590 46 42-01	FAN	110V	1
7	592 04 24-01	FAN	230V	1
7	598 67 13-01	FAN	JP	1

D A1200/A2000
OPTIONAL ACCESSORIES



ACCESSORIES

A1200/A2000, 2020-02

Ref	Part No	Description	Remark	QTY KIT
1	590 43 78-01	HOSE		1
2	591 50 82-01	HOSE		1
3	591 99 40-01	FILTER		1