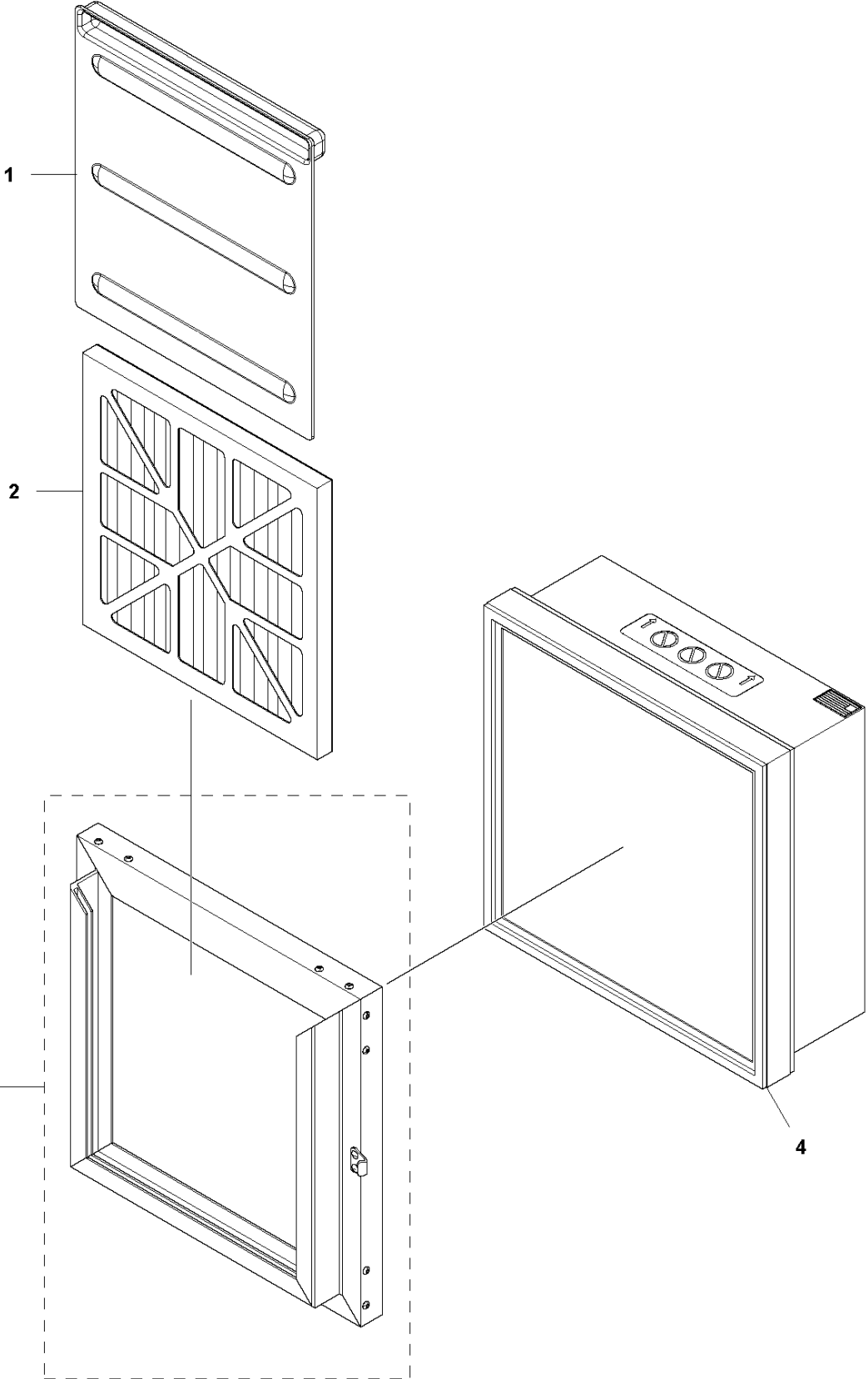


SPARE PARTS LIST

DUST AND SLURRY MANAGEMENT

A600/A1000, 2020-04

A A600
FILTER

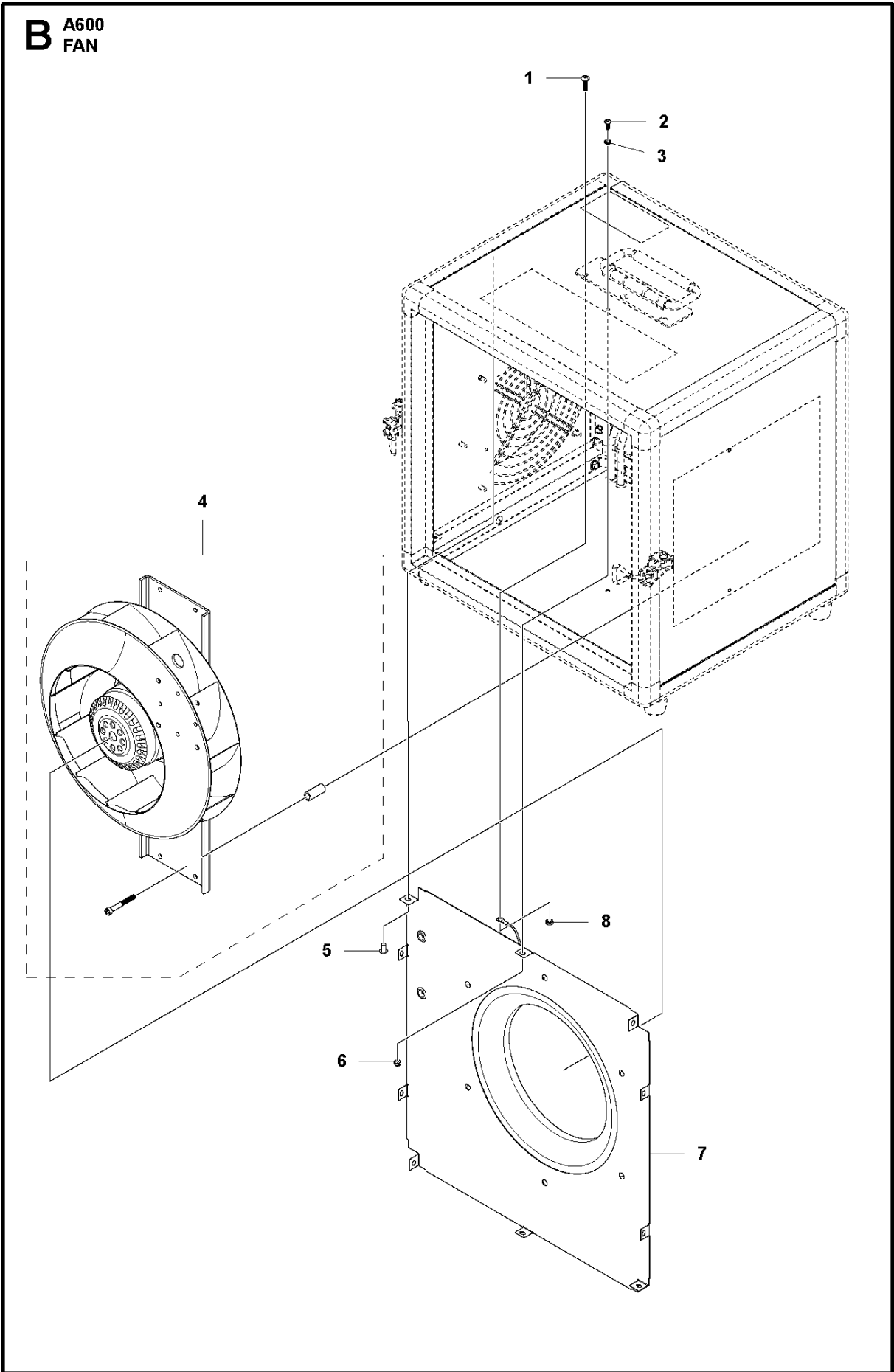


FILTER

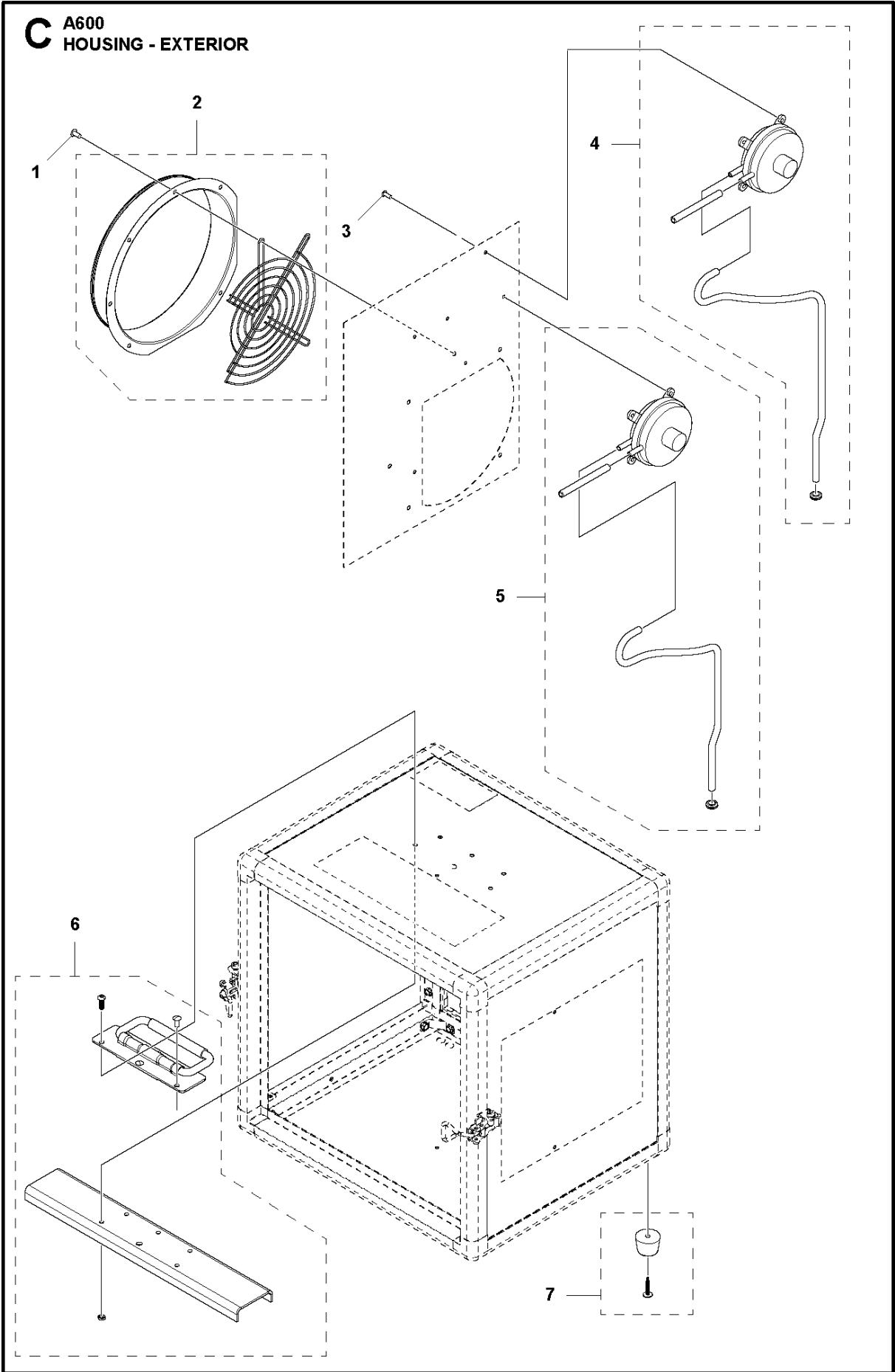
A600/A1000, 2020-04

Ref	Part No	Description	Remark	QTY KIT
1	590 48 08-01	PROTECTION		1
2	590 43 00-01	FILTER	Pre-Filter. 20-pack	1
3	590 46 26-01	FRONT COVER	US	1
3	592 01 70-01	FILTER	RoW	1
4	590 46 08-01	FILTER	HEPA	1

B A600
FAN



Ref	Part No	Description	Remark	QTY KIT
1	597 65 05-01	SCREW		4
2	592 67 79-01	SCREW		6
3	591 75 95-01	WASHER		6
4	590 46 15-01	FAN	110V	1
4	592 01 73-01	FAN	230V	1
5	590 45 33-01	RIVET		1
6	732 21 12-01	LOCK NUT		6
7	597 46 58-01	COVER		1
8	590 47 51-01	PAD		4

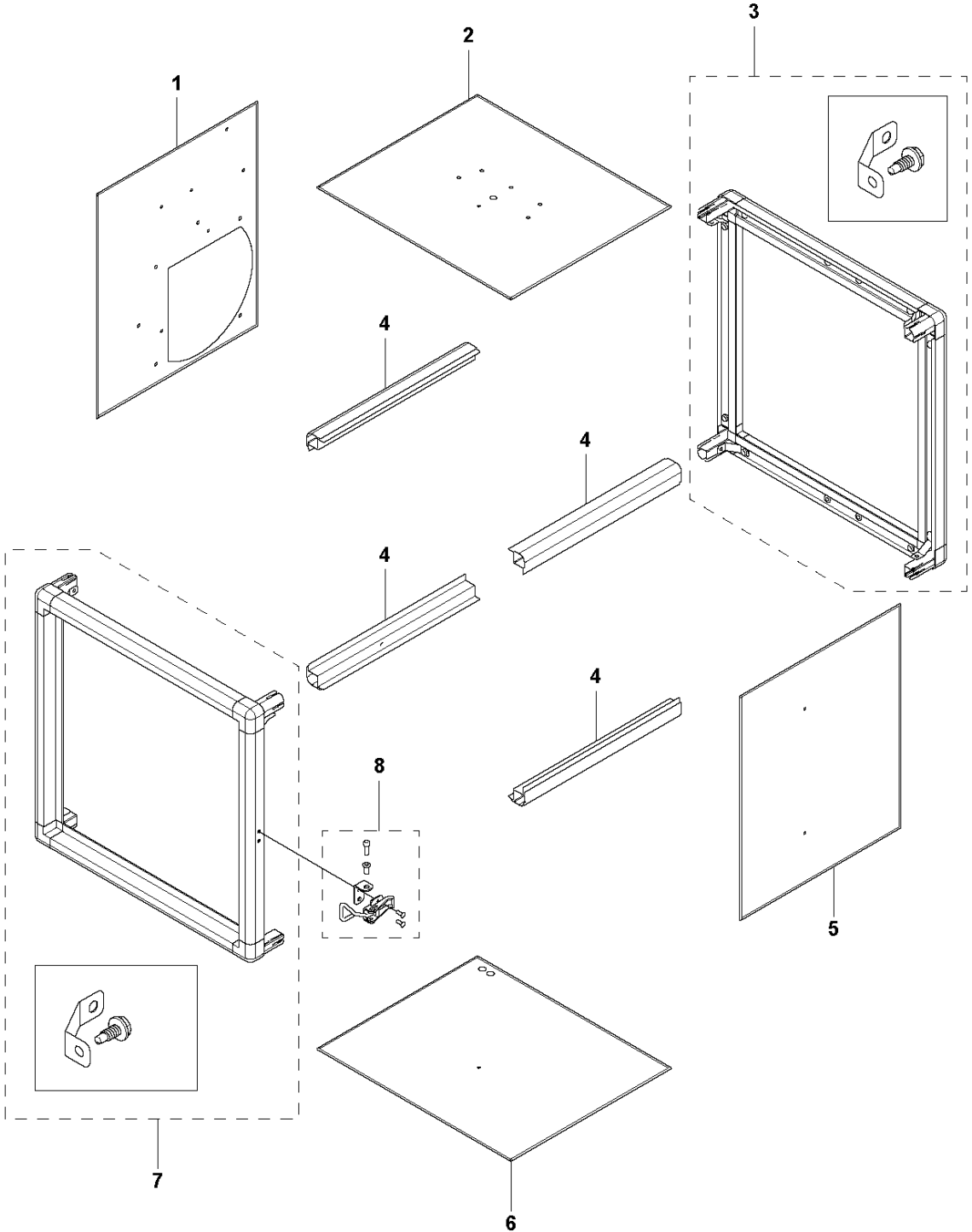


HOUSING

A600/A1000, 2020-04

Ref	Part No	Description	Remark	QTY KIT
1	592 66 58-01	RIVET		5
2	590 46 17-01	EXHAUST	110V	1
2	591 23 53-01	OUTLET CHAMBER	230V	1
3	591 92 87-01	RIVET		1
4	590 46 10-01	SENSOR	Low Pressure (Red lamp)	1
5	590 46 24-01	SENSOR	High Pressure (Yellow lamp)	1
6	590 46 11-01	HANDLE KIT		1
7	590 47 51-01	PAD		4

D A600 HOUSING

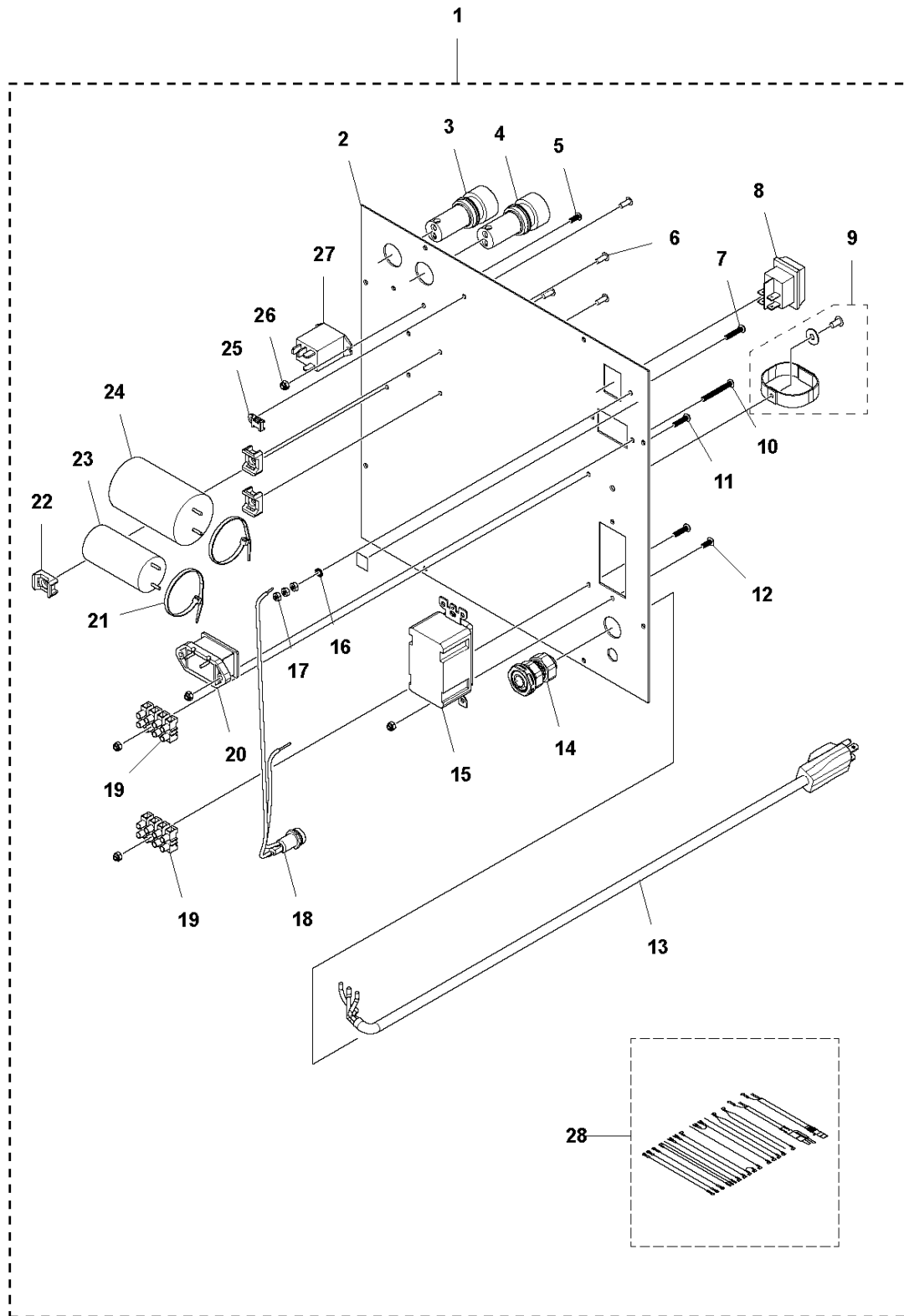


HOUSING

A600/A1000, 2020-04

Ref	Part No	Description	Remark	QTY KIT
1	597 94 15-01	PLATE KIT	A1000	1
1	597 94 11-01	PLATE KIT	A600	1
2	597 95 72-01	PLATE KIT		1
3	597 37 95-01	FRAME ASSY		1
4	591 91 74-01	PROFILE		4
5	597 93 98-01	PLATE KIT		1
6	597 93 99-01	PLATE KIT		1
7	597 95 73-01	FRAME ASSY		1
8	590 46 12-01	LATCH		2

E A600
ELECTRICAL

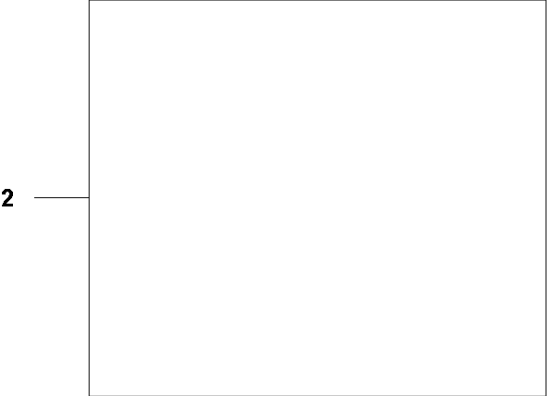
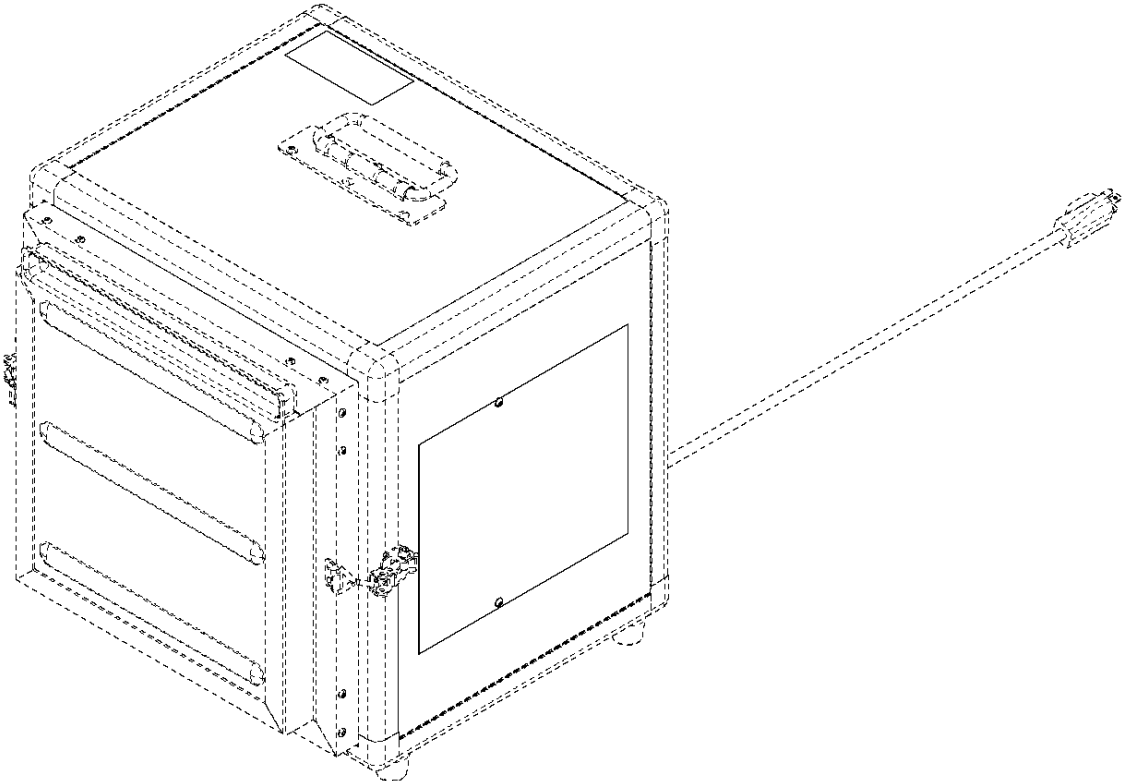


ELECTRICAL

A600/A1000, 2020-04

Ref	Part No	Description	Remark	QTY	KIT
1	597 38 11-01	PLATE	EU	1	
1	597 38 11-03	PLATE	AUS	1	
1	597 68 57-03	PLATE	UK	1	
1	597 68 57-01	PLATE	US	1	
2	591 87 81-01	PLATE	EU	1	1
2	597 68 55-01	PLATE	US	1	1
2	597 68 56-01	PLATE	UK,	1	1
3	590 46 19-01	LAMP	Red (US, UK)	1	1
3	592 01 92-01	LAMP	Red (EU, AU)	1	1
4	590 46 18-01	LAMP	Yellow (US, UK)	1	1
4	592 01 90-01	LAMP	Yellow (EU, AU)	1	1
5	592 67 79-01	SCREW		2	1
6	591 92 87-01	RIVET		6	1
7	592 67 98-01	SCREW		3	1
8	590 40 30-01	SWITCH		1	1
9	590 46 25-01	CORD BRACKET		1	1
10	597 75 74-01	SCREW		1	1
11	591 95 30-01	SCREW		8	1
12	592 67 79-01	SCREW	US	4	1
13	593 71 74-08	POWER CORD	US	1	1
13	593 71 74-14	POWER CORD	UK	1	1
13	593 74 13-02	CORD	EU	1	1
13	593 74 13-01	CORD	AUS	1	1
14	591 94 94-01	INLET	RoW	1	1
14	590 46 20-01	PLUG KIT	US, UK	1	1
15	590 46 23-01	RECEPTACLE	US	1	1
16	591 75 95-01	WASHER		1	1
17	591 75 80-01	NUT		3	1
18	597 40 46-01	FUSE HOLDER	US	1	1
19	591 95 80-01	TERMINAL		2	1
20	590 41 53-01	HOUR METER		1	1
21	592 56 07-01	STRAP		3	1
22	591 98 30-01	HOLDER		3	1
23	590 47 53-01	ELECTRICAL SYSTEM	US, UK	1	1
24	590 47 55-01	ELECTRICAL SYSTEM	US, UK	1	1
24	592 04 33-01	CAPACITOR	EU, AUS	1	1
25	592 66 59-01	NUT		8	1
26	591 98 30-01	HOLDER		1	1
27	590 46 13-01	RELAY	US	1	1
27	591 98 53-01	RELAY	EU, AUS	1	1
28	597 78 92-01	DIAGRAM	EU, AUS	1	1
28	597 78 92-02	DIAGRAM	UK	1	1
28	597 78 92-03	DIAGRAM	US	1	1

F A600
DECALS

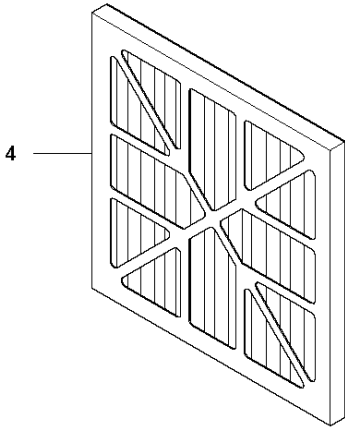
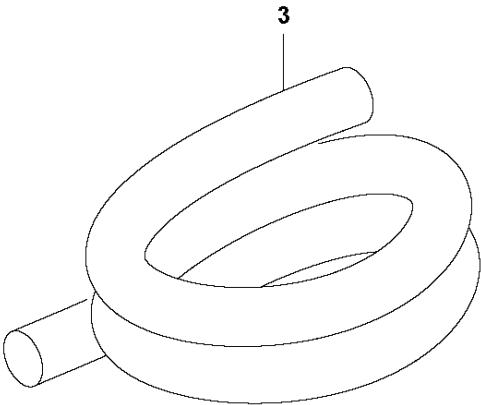
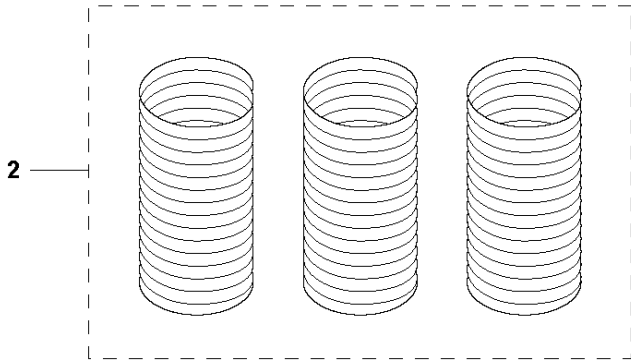
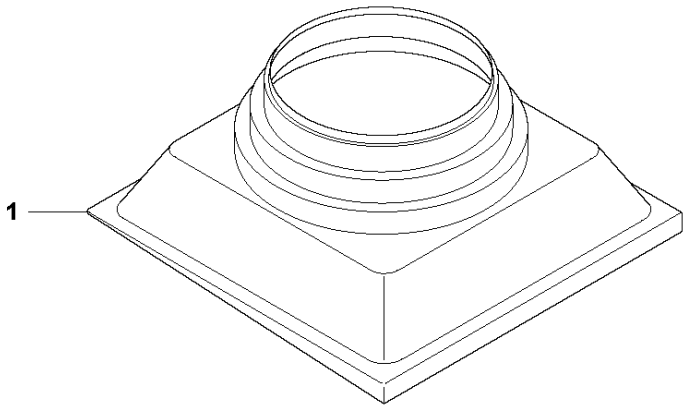


DECALS

A600/A1000, 2020-04

Ref	Part No	Description	Remark	QTY KIT
1	597 42 40-01	LABEL		1
2	590 74 99-09	DECAL	A600	1
2	590 74 99-10	DECAL	A1000	1

G A600
OPTIONAL ACCESSORIES



ACCESSORIES

A600/A1000, 2020-04

Ref	Part No	Description	Remark	QTY KIT
1	590 43 79-01	HOSE		1
2	591 50 44-01	HOSE		1
3	591 99 41-01	FILTER		1