



Illustrated Parts List

Model Series

9T800

TYPE NUMBERS
0112, 0113.

TABLE OF CONTENTS

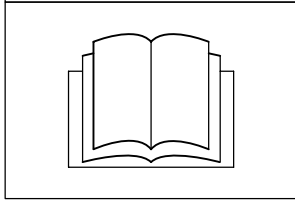
Air Cleaner	5
Blower Housing/Shrouds	6
Brake	5
Camshaft	3
Carburetor	4
Controls	5
Crankcase Cover/Sump	3
Crankshaft	3
Cylinder	2
Cylinder Head	2
Exhaust System	5
Flywheel	6
Fuel Supply	4
Gasket Set - Engine	2
Gasket Set - Valve	2
Governor Spring	5
Ignition	5
Lubrication	2
Piston/Rings/Connecting Rod	3
Rewind Starter	6



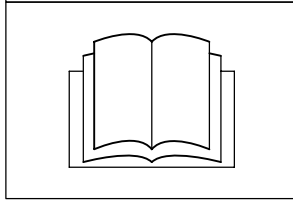
PRINTED IN U.S.A.

COPYRIGHT by BRIGGS & STRATTON CORPORATION
All rights reserved. No part of this material may be reproduced or transmitted, in any form or by any means, electronic or mechanical, including photocopying, recording or by any information storage and retrieval system, without permission in writing from Briggs & Stratton Corporation.

1058 OPERATOR'S MANUAL



1330 REPAIR MANUAL

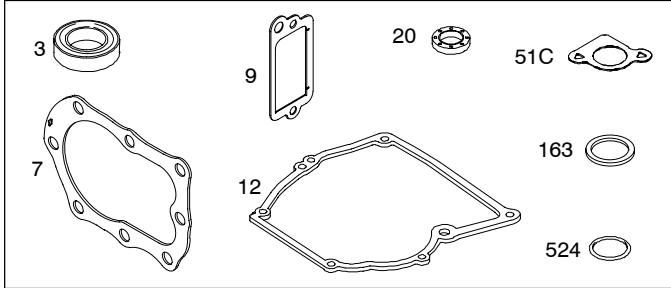


1319 WARNING LABEL

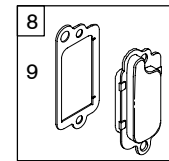
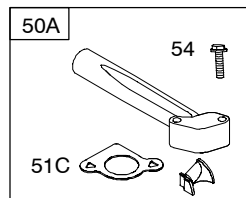
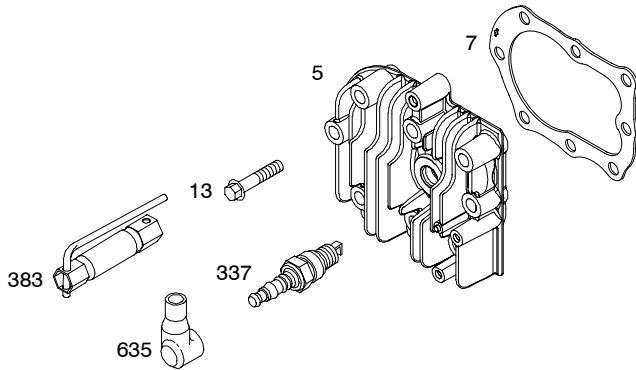
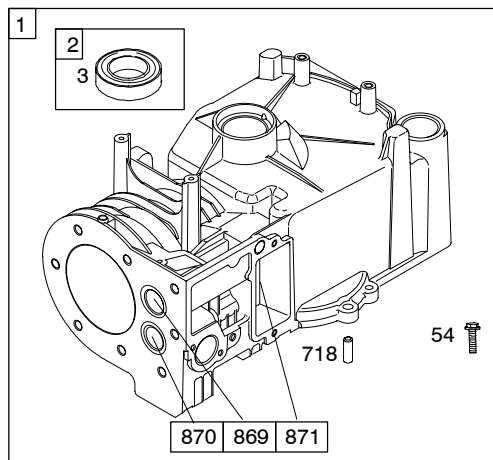
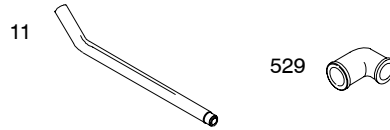
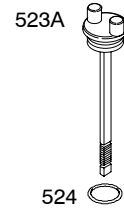
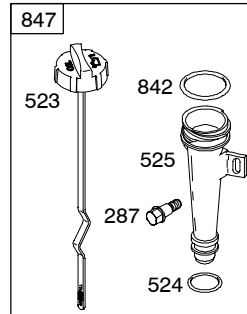
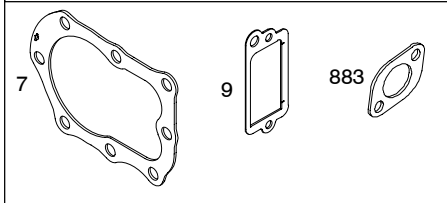
WARNING	
	Read and follow Operating Instructions before running engine.
	Gasoline is flammable. Allow engine to cool at least 2 minutes before refueling.
	Engines emit carbon monoxide, DO NOT run in enclosed area.
	Muffler area temperature may exceed 150°F. Do not touch hot parts.

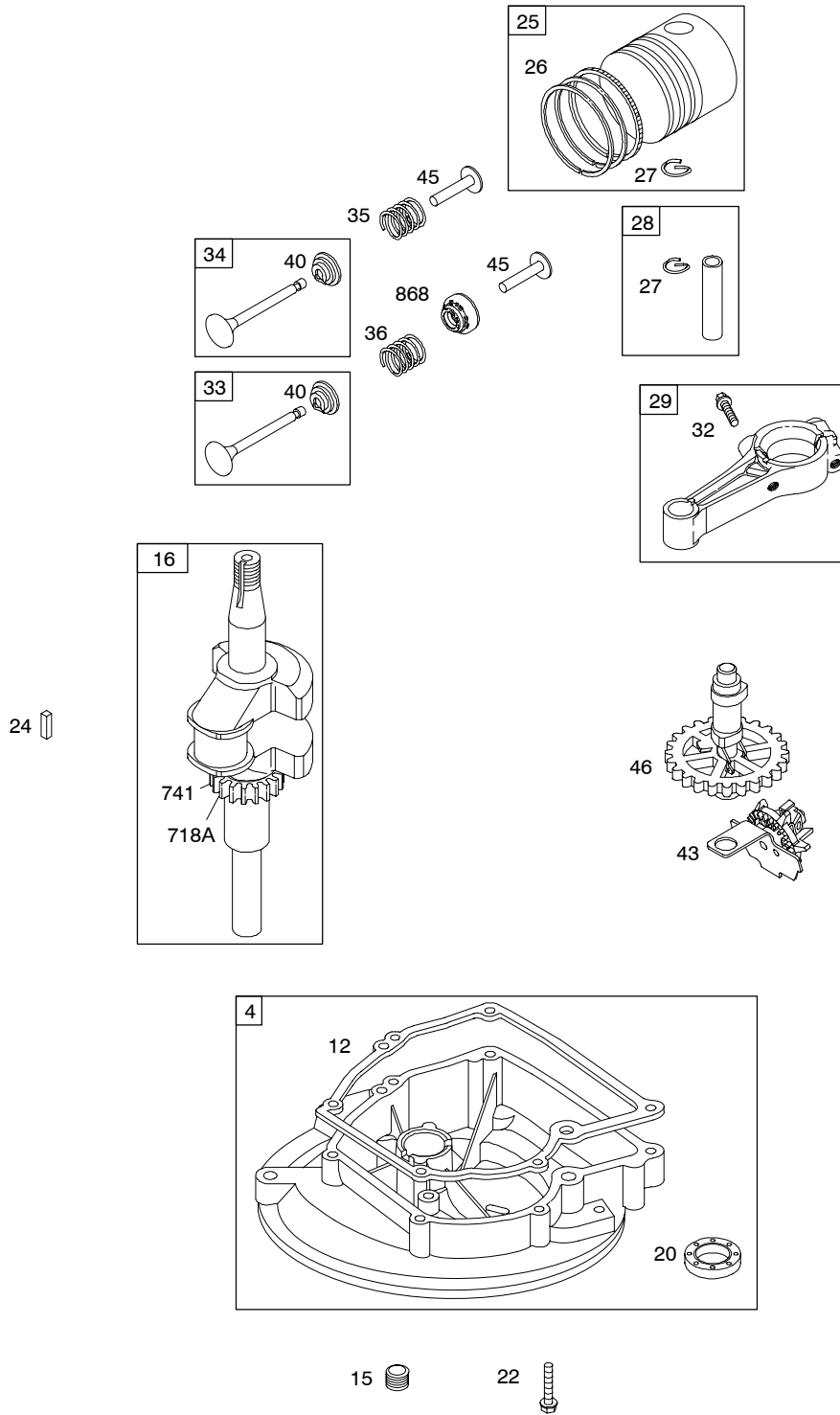
REQUIRED when replacing parts with warning labels affixed.

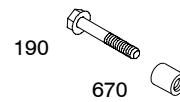
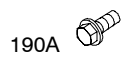
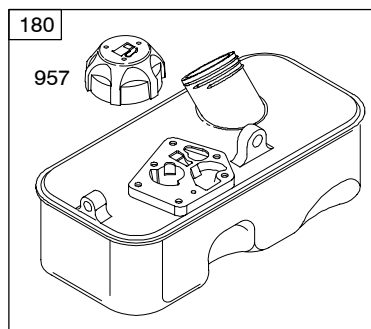
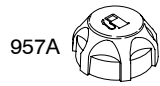
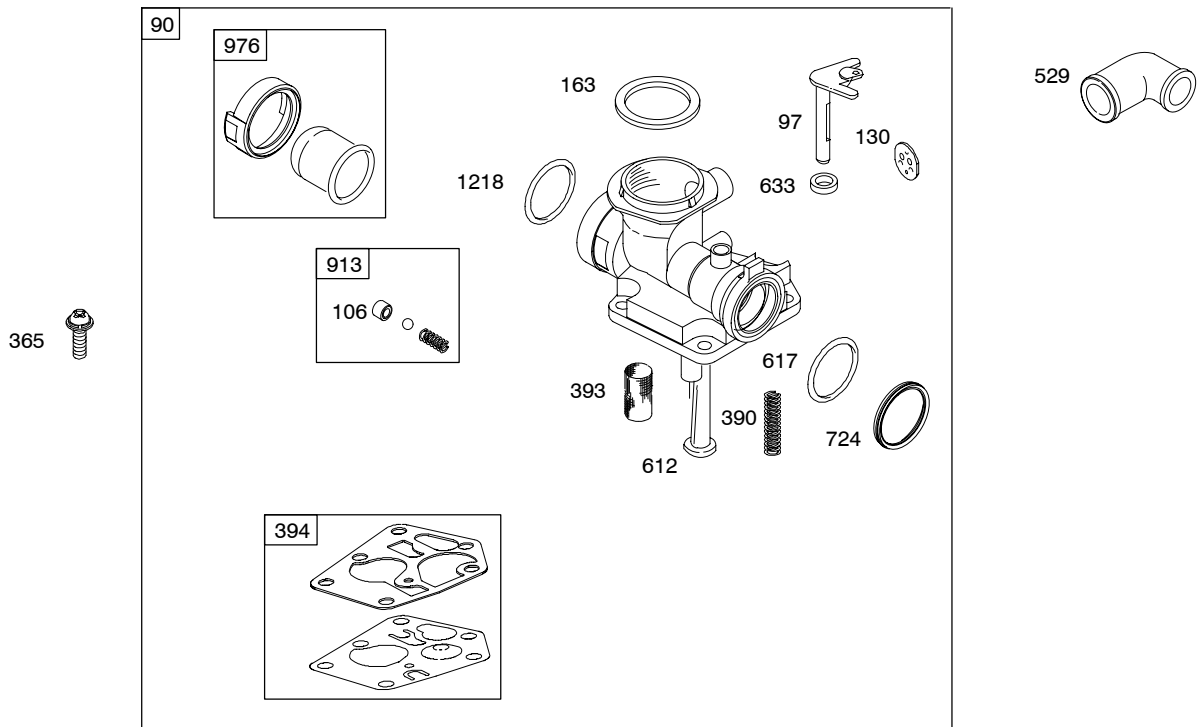
358C ENGINE GASKET SET

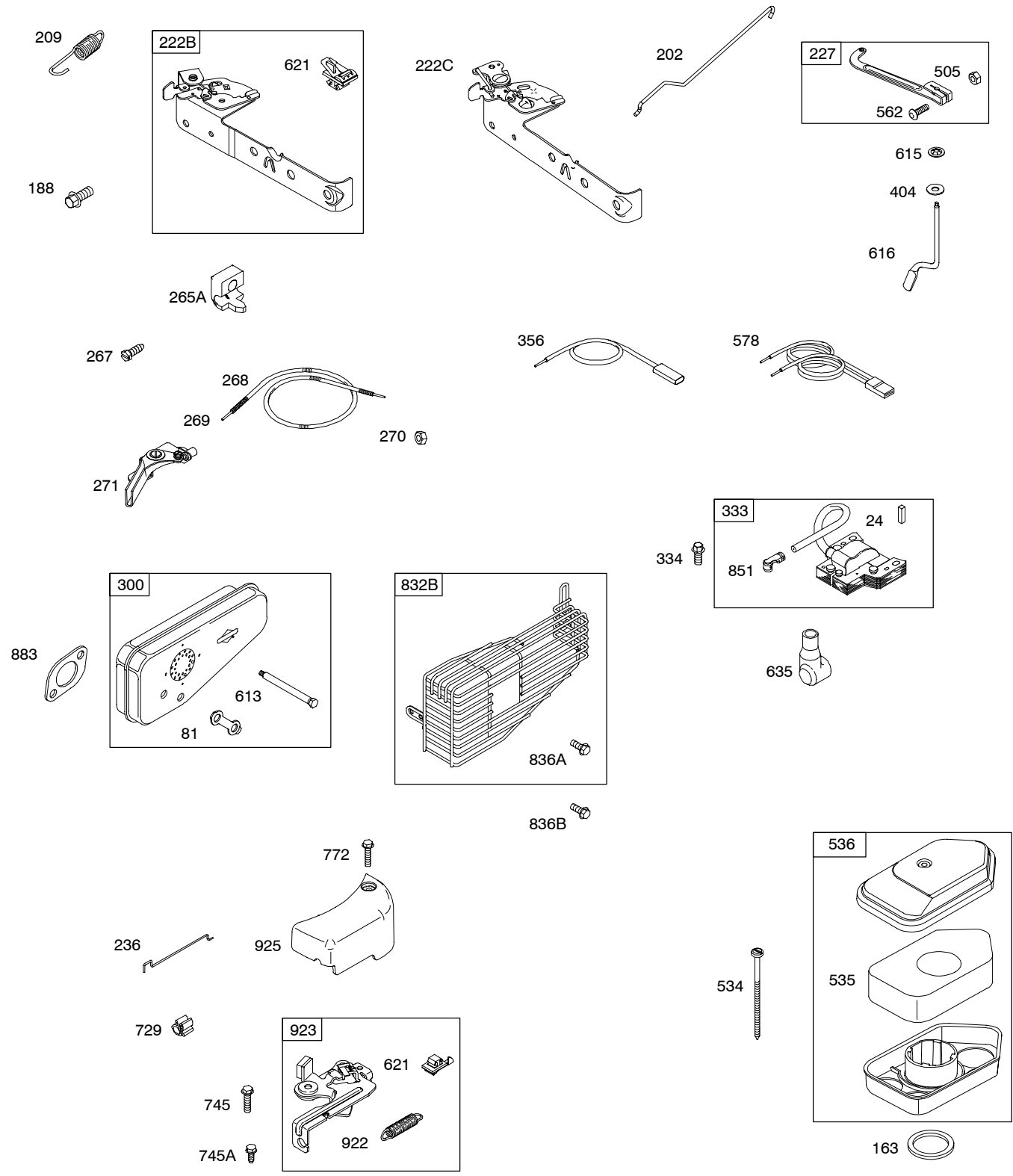


1095 VALVE GASKET SET

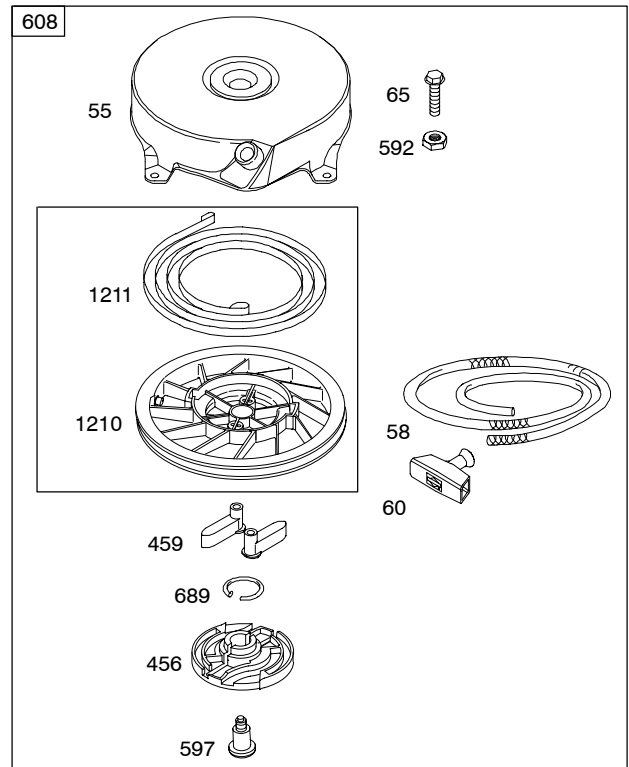
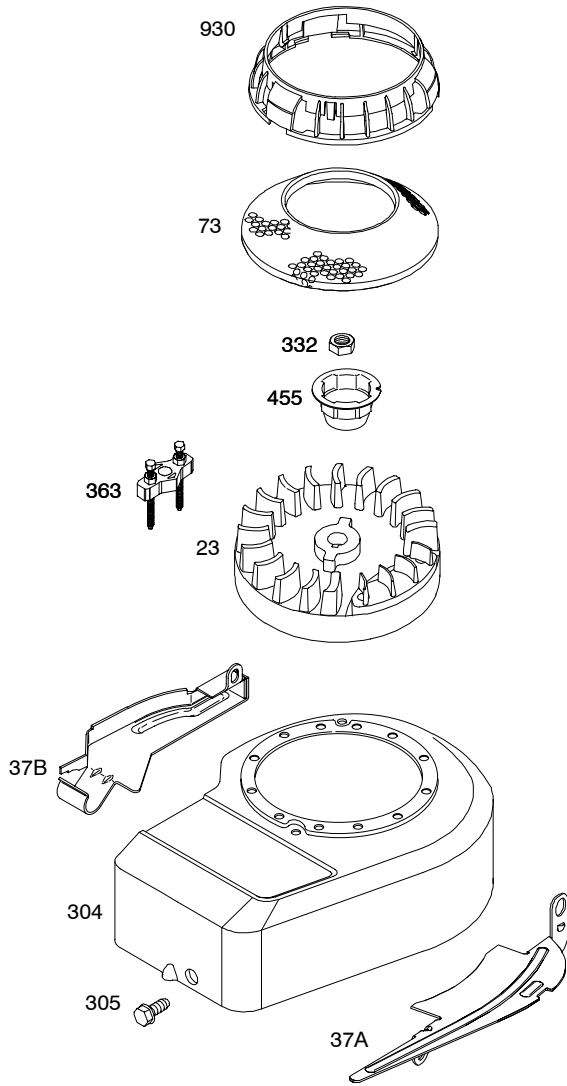








1036 EMISSIONS LABEL



REF. NO.	PART NO.	DESCRIPTION	REF. NO.	PART NO.	DESCRIPTION	REF. NO.	PART NO.	DESCRIPTION
1	699650	Cylinder Assembly	26	790909	Ring Set (Standard)	180	494406	Tank-Fuel
2	399269	Kit-Bushing/Seal (Magneto Side)			----- Note -----	188	692198	Screw (Control Bracket)
3	★299819S	Seal-Oil (Magneto Side)			792533 Ring Set (.020" Oversize)	190	691640	Screw (Fuel Tank) (To Cylinder)
4	698691	Sump-Engine	27	691588	Lock-Piston Pin	190A	692198	Screw (Fuel Tank) (7/16" Long)
5	790169	Head-Cylinder	28	699659	Pin-Piston	202	698835	Link-Mechanical Governor
7	★Δ698717	Gasket-Cylinder Head	29	699655	Rod-Connecting	209	698719	Spring-Governor (Light Blue) Used on Type No(s). 0113.
8	791781	Breather Assembly	32	691664	Screw (Connecting Rod)			----- Note -----
9	★Δ695890	Gasket-Breather	33	296676	Valve-Exhaust			698726 Spring-Governor (Pink) Used on Type No(s). 0112.
10	691666	Screw (Breather Assembly)	34	296677	Valve-Intake	222B	699326	Bracket-Control Used on Type No(s). 0113.
11	691245	Tube-Breather	35	690520	Spring-Valve (Intake)	222C	697410	Bracket-Control Used on Type No(s). 0112.
12	★692218	Gasket-Crankcase (.015" Thick) (Standard)	36	690520	Spring-Valve (Exhaust)	227	697402	Lever-Governor Control
		----- Note -----	37A	793748	Guard-Flywheel (Muffler Side)	236	691867	Link-Lockout Used on Type No(s). 0113.
		★270895 Gasket-Crankcase (.005" Thick)	37B	697403	Guard-Flywheel (Carburetor Side)	265A	690798	Clamp-Casing Used on Type No(s). 0112, 0113.
		★270896 Gasket-Crankcase (.009" Thick)	40	692194	Retainer-Valve	267	691044	Screw (Casing Clamp)
13	691640	Screw (Cylinder Head)	43	697799	Slinger-Governor/Oil	268	691025	Casing-Control Wire (Cut to Required Length)
15	691680	Plug-Oil Drain	45	691762	Tappet-Valve	269	691026	Wire-Control (Cut to Required Length)
16	692990	Crankshaft Used on Type No(s). 0112, 0113.	46	691998	Camshaft	270	691027	Nut (Control Wire Casing)
20	★391483S	Seal-Oil (PTO Side)	50A	792388	Manifold-Intake	271	691028	Lever-Control (Dipstick Tube)
22	692551	Screw (Crankcase Cover/Sump)	51C	★792389	Gasket-Intake			
23	692009	Flywheel Used on Type No(s). 0112, 0113.	54	691111	Screw (Intake Manifold)			
24	222698S	Key-Flywheel	55	692144	Housing-Rewind Starter			
25	790908	Piston Assembly (Standard)	58	697316	Rope-Starter (88 5/8" Long) Used on Type No(s). 0112, 0113.			
		----- Note -----	60	691915	Grip-Starter Rope			
		792532 Piston Assembly (.020" Oversize)	65	690837	Screw (Rewind Starter)			
			73	699850	Screen-Rotating			
			81	691179	Lock-Muffler Screw			
			90	791384	Carburetor			
			97	697414	Shaft-Throttle			
			106	691901	Seat-Inlet			
			130	691190	Valve-Throttle			
			163	★271139S	Gasket-Air Cleaner			

★ Engine Gasket Set-Reference 358

Valve Gasket Set-Reference 1095

9T800

REF. NO.	PART NO.	DESCRIPTION	REF. NO.	PART NO.	DESCRIPTION	REF. NO.	PART NO.	DESCRIPTION
287	691002	Screw (Dipstick Tube) Used on Type No(s). 0112.	529	692189	Grommet	745	691146	Screw (Brake) (7/8" Long) Used on Type No(s). 0112, 0113.
300	692307	Muffler (Super Lo Tone) Used on Type No(s). 0112, 0113.	534	691417	Screw (Air Cleaner)	745A	690859	Screw (Brake) (1/2" Long) Used on Type No(s). 0112, 0113.
304	698046	Housing-Blower (Compliance Engines)	535	698369	Filter-Air Cleaner Foam	772	691111	Screw (Linkage Cover) Used on Type No(s). 0112, 0113.
305	692198	Screw (Blower Housing)	536	698472	Cleaner-Air	832B	790743	Guard-Muffler (Super Lo Tone) Used on Type No(s). 0112.
332	690662	Nut (Flywheel)	562	691119	Bolt (Governor Control Lever)	836A	790745	Screw (Muffler Guard) (1/2" Long) Used on Type No(s). 0112.
333	793281	Armature-Magneto	578	398153	Wire Assembly Used on Type No(s). 0113.	836B	691125	Screw (Muffler Guard) (2/3" Long) Used on Type No(s). 0112.
334	691061	Screw (Magneto Armature)	592	690800	Nut (Rewind Starter)	842	691870	Seal-O Ring (Dipstick Tube) Used on Type No(s). 0112.
337	697451	Plug-Spark	597	691696	Screw (Pawl Friction Plate)	847	691440	Dipstick/Tube Assembly Used on Type No(s). 0112.
356	692390	Wire-Stop Used on Type No(s). 0112.	608	499706	Starter-Rewind Used on Type No(s). 0112, 0113.	851	493880S	Terminal-Spark Plug
358C	794209	Gasket Set-Engine	612	496046S	Tube-Pick Up	868	697338	Seal-Valve
363	19069	Puller-Flywheel	613	691413	Screw (Muffler)	869	699641	Seat-Valve (Intake)
365	790029	Screw (Carburetor)	615	690340	Retainer-Governor Shaft	870	699642	Seat-Valve (Exhaust)
383	89838S	Wrench-Spark Plug	616	697405	Crank-Governor	871	699643	Bushing-Valve Guide (Exhaust Valve) ----- Note ----- 63709 Bushing-Valve Guide (Intake Valve)
390	691839	Spring-Choke Diaphragm	617	270344S	Seal-O Ring (Intake Manifold)			
393	691837	Screen-Carburetor	621	692310	Switch-Stop Used on Type No(s). 0112, 0113.			
394	495770	Diaphragm-Carburetor	633	691321	Seal-Choke/Throttle Shaft (Throttle)			
404	690272	Washer (Governor Crank)	635	66538S	Boot-Spark Plug Used on Type No(s). 0112.			
455	691236	Cup-Flywheel	670	691633	Spacer-Fuel Tank			
456	692299	Plate-Pawl Friction	689	691855	Spring-Friction			
459	281505S	Pawl-Ratchet	718	690959	Pin-Locating (Cylinder)			
505	691251	Nut (Governor Control Lever)	718A	499047	Pin-Locating (Crankshaft)			
523	692040	Dipstick Used on Type No(s). 0112.	724	697478	Retainer-Seal			
523A	691913	Dipstick Used on Type No(s). 0113.	729	690586	Clip-Wire Used on Type No(s). 0112, 0113.			
524	*691876	Seal-Dipstick Tube Used on Type No(s). 0112, 0113.	741	691805	Gear-Timing			
525	691320	Tube-Dipstick Used on Type No(s). 0112.						

★ Engine Gasket Set-Reference 358

△ Valve Gasket Set-Reference 1095

9T800

REF. NO.	PART NO.	DESCRIPTION	REF. NO.	PART NO.	DESCRIPTION	REF. NO.	PART NO.	DESCRIPTION
883	★△691880	Gasket-Exhaust	957	497929S	Cap-Fuel Tank Used on Type No(s). 0112.	1058	MS3479	Operator's Manual
913	494409	Seat-Check Valve				1095	498526	Gasket Set-Valve
922	692135	Spring-Brake Used on Type No(s). 0112, 0113.	957A	791129	Cap-Fuel Tank Used on Type No(s). 0113.	1210	499901	Pulley/Spring Assembly (Pulley)
923	691487	Brake Used on Type No(s). 0112, 0113.	976	694394	Primer-Carburetor	1211	499901	Pulley/Spring Assembly (Spring)
925	691349	Cover-Linkage Used on Type No(s). 0112, 0113.	1036		Label-Emissions (Available From A Briggs & Stratton Authorized Dealer)	1218	695866	Seal-O Ring (Carburetor)
930	691348	Guard-Rewind Used on Type No(s). 0112, 0113.				1319	794467	Label-Warning
						1330	270962	Repair Manual

★ Engine Gasket Set-Reference 358

Valve Gasket Set-Reference 1095