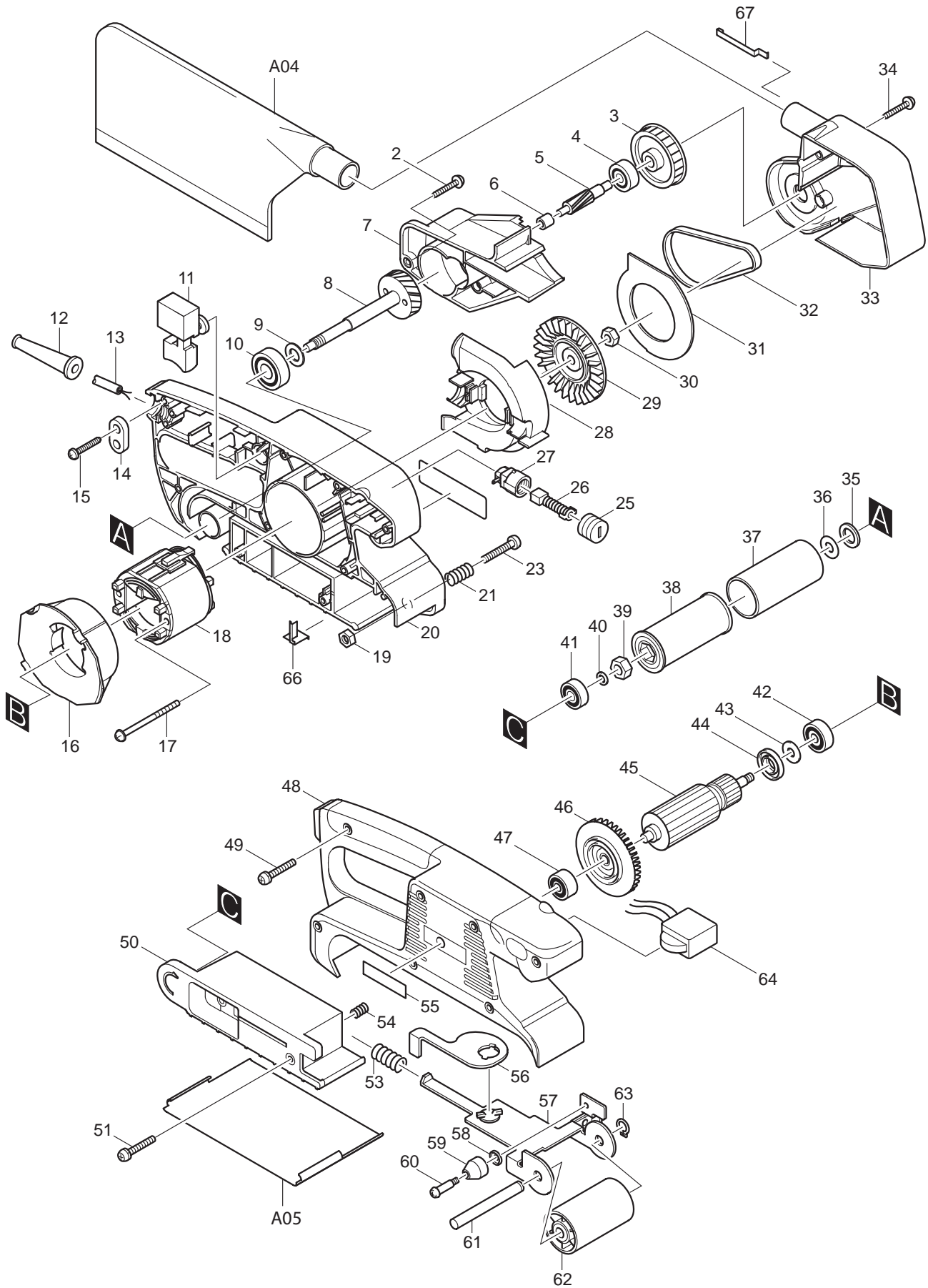




04 - 2010
9911 / 9911KX1
3/18" BELT SANDER



| Item No | Type | Ref | Part No | Description | Qty | Unit |
|---------|------|------|----------|--|-----|------|
| 2 | | | 265999-8 | TAPPING SCREW 4X25 | 4 | PC. |
| 3 | | | 222144-8 | PULLEY 8.5-45.1 | 1 | PC. |
| 4 | | | 210005-4 | BALL BEARING 608DDW | 1 | PC. |
| 5 | | | 226494-3 | HELICAL GEAR 6 | 1 | PC. |
| 6 | | | 212009-2 | NEEDLE BEARING 509 | 1 | PC. |
| 7 | | | 416420-2 | BRACKET | 1 | PC. |
| 8 | | | 153252-3 | HELICAL GEAR 31 COMPLETE | 1 | PC. |
| 9 | | | 253758-2 | FLAT WASHER 10 | 1 | PC. |
| 10 | | | 211061-7 | BALL BEARING 6000LLB (OLD# 211088-7) | 1 | PC. |
| 11 | | 2 | 650232-5 | SWITCH TGL215CDT-1 (TYPE1# 651285-7) | 1 | PC. |
| 12 | | | 682502-4 | CORD GUARD 8-85 | 1 | PC. |
| 13 | | | 664891-9 | CORD WITH PLUG 2P-18-2.5M SJ | 1 | PC. |
| 14 | | | 687063-9 | CORD CLAMP | 1 | PC. |
| 15 | | | 265995-6 | TAPPING SCREW 4X18 | 2 | PC. |
| 16 | | | 416418-9 | BAFFLE PLATE | 1 | PC. |
| 17 | | | 266052-3 | TAPPING SCREW 4X60 | 2 | PC. |
| 18 | | 1 | 633391-0 | FIELD 115V | 1 | PC. |
| | | 2 | 639383-7 | FIELD 115V | 1 | PC. |
| 19 | | | 931202-6 | HEX. NUT M5 | 1 | PC. |
| 20 | | | 150958-4 | HOUSING L COMPLETE | 1 | PC. |
| 20 | | INC. | | Item No. 6,19 | | |
| 21 | | | 233219-8 | COMPRESSION SPRING 6 | 1 | PC. |
| 22 | | | 941102-2 | FLAT WASHER 5 (Old) | 1 | PC. |
| 23 | | | 911252-7 | PAN HEAD SCREW M5X30 | 1 | PC. |
| 25 | | | 643550-8 | BRUSH HOLDER CAP 5-8 | 2 | PC. |
| 26 | | 1 | 191938-1 | CARBON BRUSH CB-408 2PC/SET (W/O ORIGIN) | 1 | SET |
| | | 2 | 195008-8 | CARBON BRUSH CB-408 2PC/SET (W/ ORIGIN) | 1 | SET |
| 27 | | | 643922-7 | BRUSH HOLDER | 2 | PC. |
| 28 | | | 416416-3 | SCROLL PLATE | 1 | PC. |
| 29 | | | 241660-1 | FAN 68 | 1 | PC. |
| 30 | | | 252153-3 | HEX. NUT M6-10 | 1 | PC. |
| 31 | | | 344584-1 | PLATE | 1 | PC. |
| 32 | | | 225079-2 | SYNCHRO BELT 6-300 | 1 | PC. |
| 33 | | | 183021-8 | * BELT COVER SET (OLD# 416415-5 - N/L/A) | 1 | PC. |
| | | INC. | | * Item No. 67 | | |
| 34 | | | 265999-8 | TAPPING SCREW 4X25 | 4 | PC. |
| 35 | | | 267177-6 | FLAT WASHER 12 | 1 | PC. |
| 36 | | | 253865-1 | FLAT WASHER 8 | 1 | PC. |
| 37 | | | 422032-1 | RUBBER SLEEVE 29 | 1 | PC. |
| 38 | | | 316971-4 | DRIVING ROLLER | 1 | PC. |
| 39 | | | 252154-1 | HEX. NUT M8-13 | 1 | PC. |
| 40 | | | 253077-6 | FLAT WASHER 6 | 1 | PC. |
| 41 | | | 210022-4 | BALL BEARING 626DDW | 1 | PC. |
| 42 | | | 210023-2 | BALL BEARING 627DDW | 1 | PC. |
| 43 | | | 253823-7 | FLAT WASHER 7 | 1 | PC. |
| 44 | | 2 | 681658-0 | INSULATION WASHER (TYPE1# 681648-3) | 1 | PC. |
| 45 | | | 517241-6 | ARMATURE ASS'Y 115V | 1 | PC. |
| | | INC. | | Item No. 42-44,46,47 | | |
| 46 | | | 240008-4 | FAN 60 | 1 | PC. |
| 47 | | | 211021-9 | BALL BEARING 607LLB | 1 | PC. |
| 48 | | | 182982-9 | HOUSING R | 1 | PC. |
| | | INC. | | Item No. 55 | | |

| Item No | Type | Ref | Part No | Description | Qty | Unit |
|---------|------|-----|----------|------------------------------------|-----|------|
| 49 | | | 265999-8 | TAPPING SCREW 4X25 | 7 | PC. |
| 50 | | | 416419-7 | SHOE | 1 | PC. |
| 51 | | | 265999-8 | TAPPING SCREW 4X25 | 2 | PC. |
| 53 | | | 233221-1 | COMPRESSION SPRING 12 | 1 | PC. |
| 54 | | | 231038-6 | COMPRESSION SPRING 6 | 1 | PC. |
| 55 | | | 819063-3 | MAKITA LABEL | 1 | PC. |
| 56 | | | 344585-9 | LEVER | 1 | PC. |
| 57 | | | 150837-6 | TENSION ROLLER ARM COMPLETE | 1 | PC. |
| 58 | | | 267731-6 | CUP WASHER 4 | 1 | PC. |
| 59 | | | 416417-1 | ROLLER | 1 | PC. |
| 60 | | | 265059-6 | SHOULDER SCREW M4 | 1 | PC. |
| 61 | | | 323776-5 | TENSION ROLLER SHAFT | 1 | PC. |
| 62 | | | 152585-3 | TENSION ROLLER COMPLETE | 1 | PC. |
| 63 | | | 961004-6 | RETAINING RING S-8 | 1 | PC. |
| 64 | | | 631675-0 | CONTROLLER (OLD# 631182-3 - N/L/A) | 1 | PC. |
| 66 | | | 344703-9 | * EARTH SUPPORTER | 1 | PC. |
| 67 | | | 344701-3 | * EARTH PLATE | 1 | PC. |
| 100 | | | 652008-6 | P.H. SCREW M3.5 X 7 | 4 | PC. |
| 101 | | | 654037-5 | INSULATED EYE TERMINAL FT1.25-M3 | 4 | PC. |
| 102 | | | 632800-6 | LEAD UNIT | 2 | PC. |

ACCESSORIES

- See Catalogue or visit www.makita.ca for other optional accessories -

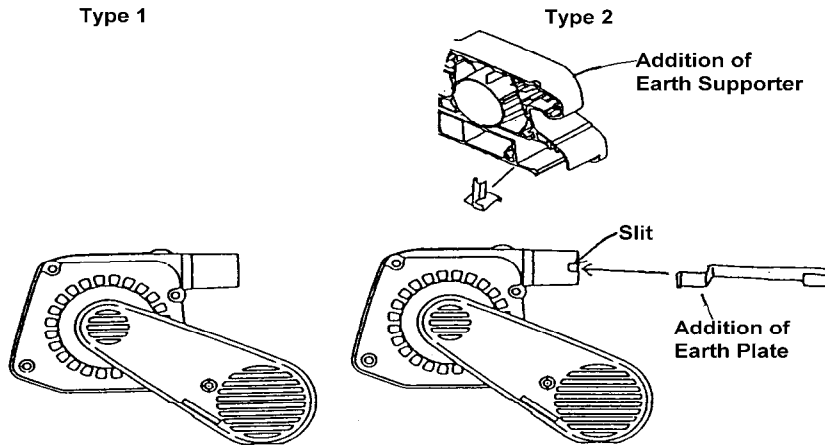
| | | | | | | |
|-----|---|------|----------|--------------------------------------|---|-----|
| A01 | | | 794551-A | 3X18" ABRASIVE BELT NAXB80, 10PC/SET | 1 | PC. |
| A02 | 1 | | 824733-1 | PLASTIC CARRYING CASE | 1 | PC. |
| | 2 | | 824982-0 | PLASTIC CARRYING CASE | 1 | PC. |
| | | INC. | 162271-8 | LATCH | 2 | PC. |
| | | INC. | 450990-1 | HANDLE | 1 | PC. |
| A03 | 1 | | 824732-3 | CARRYING CASE INNER TRAY F/824733-1 | 1 | PC. |
| | 2 | | 837721-9 | CARRYING CASE INNER TRAY F/824982-0 | 1 | PC. |
| A04 | | | 122548-3 | DUST BAG ASS'Y | 1 | PC. |
| | | INC. | 410602-8 | FASTENER | 1 | PC. |
| A05 | | | 344586-7 | STEEL PLATE | 1 | PC. |
| A06 | | | 192278-0 | HOSE COM. 28-1.5M | 1 | PC. |
| | | | 192279-8 | HOSE 1" DIA.X9.6FT | 1 | PC. |
| A07 | | | 192694-6 | CLAMP COM. | 1 | PC. |

SERVICE CHANGES

1. Changes on Belt Cover and addition of Earth Supporter and Earth Plate

| Item No. | Description | Type 1 | Type 2 |
|----------|-----------------------------|----------|----------|
| 33 | Belt Cover / Belt Cover Set | 416415-5 | 183021-8 |
| 66 | Earth Supporter | ----- | 344703-9 |
| 67 | Earth Plate | ----- | 344701-3 |
| | Serial No. 9911 | ~ 8159E | 8160E ~ |

Above parts are completely interchangeable as a set.



Earth Supporter and Earth Plate have been added and Belt Cover changed to prevent generation of static electricity.