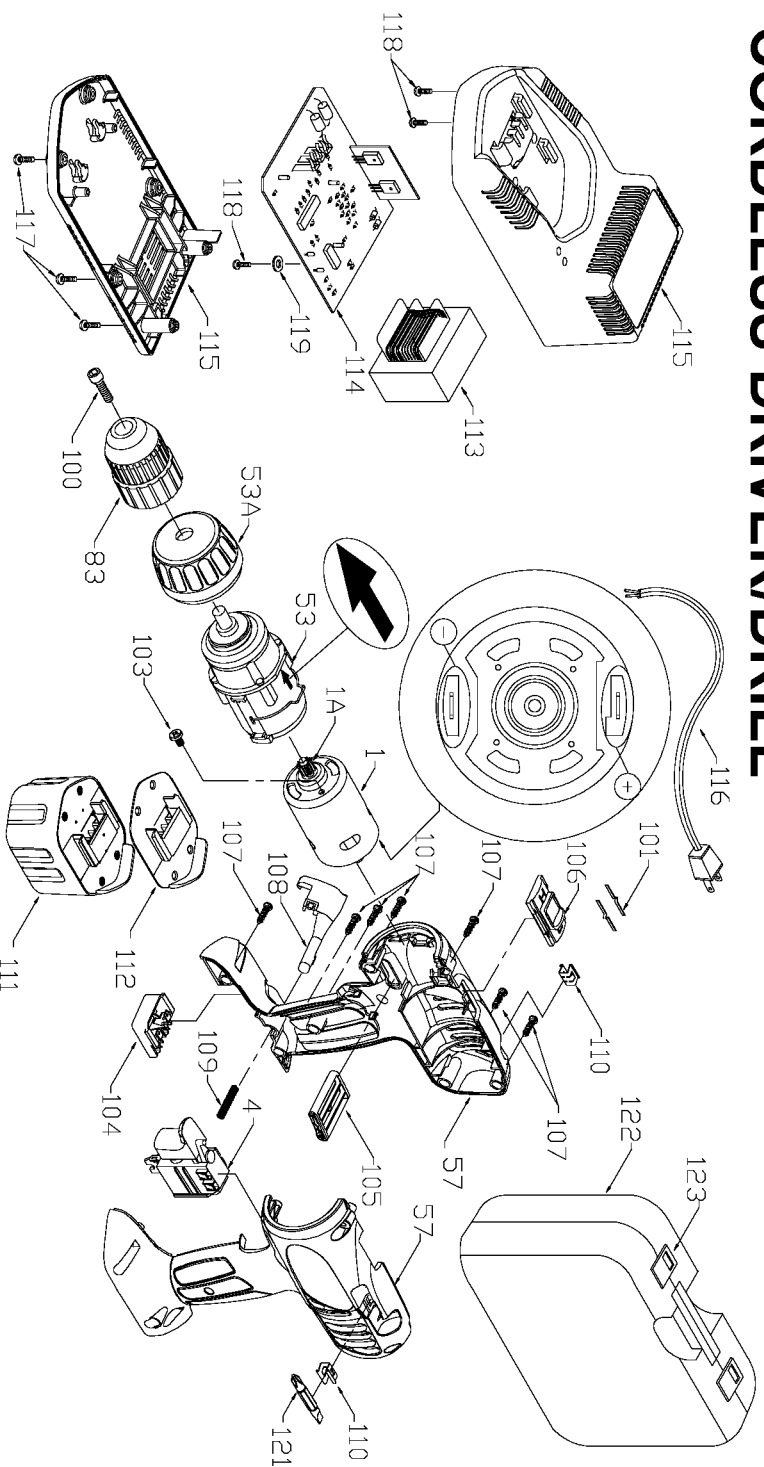


# PORTER-CABLE CORDLESS DRIVER/DRILL

**WARNING:** Electrical repairs should only be attempted by trained repairmen. Contact the nearest Porter-Cable Service Center or other competent repair center.

**866**



## Parts List for 9866 Type 2

Item Number	Part Number	Description	Qty Required
1	891316	MTR 12V	1
1	891238	PINION	1
4	894851	SWITCH	1
53	891239	GEAR BOX/CLUTCH ASSY	1
53	891242	CLUTCH RING	1
57	891303	HANDLE SET	1
83	894954	CHUCK	1
100	894098	SCREW	10
101	897046	SPRING CLIP	2
103	889199	SCREW-CHEESE HD	10
104	000000-00	No Longer Available	1
105	000000-00	No Longer Available	1
106	895198	SELECTOR	1
107	888993	SCREW	10
108	000000-00	No Longer Available	1
108	891352	RELEASE BUTTON	1
109	891353	SPRING	10
110	892955	CLIP	1
111	000000-00	No Longer Available	1
111	000000-00	No Longer Available	1
112	000000-00	No Longer Available	1
113	894369	TRANSFORMER	1
114	894366	CIRCUIT BOARD	1
115	000000-00	No Longer Available	1
116	000000-00	No Longer Available	1
117	000000-00	No Longer Available	10
118	000000-00	No Longer Available	10

## Parts List for 9866 Type 2

Item Number	Part Number	Description	Qty Required
119	895781	WASHER	10
121	895517	DRIVER BIT	1
122	894946	CARRYING CASE	1
123	887712	LATCH CARRYING CASE	1
125	000000-00	No Longer Available	1
125	897154	CHARGER	1