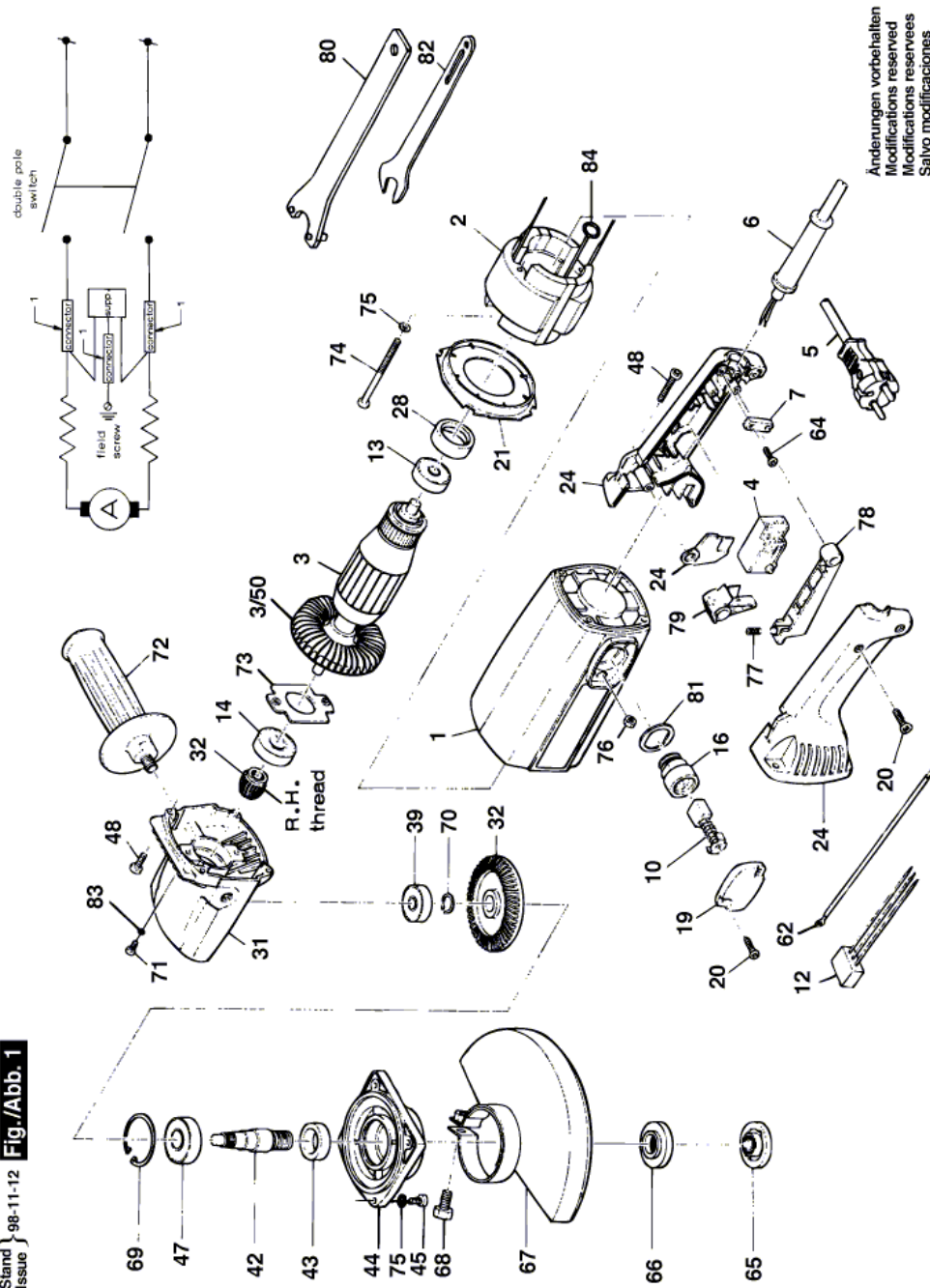


## . - F 015 975 0H1 - 9750

Item	Part Number	Description	Illustration	Price	Quantity	Price Group
1	2 610 374 812	Housing	1	-,-	1	35
2	2 610 383 707	Armature 220V	1	-,-	1	-
3	2 610 374 827	Armature 220V	1	-,-	1	-
4	2 610 374 800	Switch	1	-,-	1	32
5	1 607 000 227	Power supply cord EU 4,15m 2 x 1,0mm H07 RN-F	1	-,-	1	31
6	2 610 374 838	Grommet	1	-,-	1	15
7	2 610 064 973	Cable Grip	1	-,-	1	11
10	2 610 374 808	Carbon Brush	1	-,-	1	23
12	2 610 374 832	Protection	1	-,-	1	21
13	2 610 042 699	Deep-Groove Ball Bearing	1	-,-	1	22
14	2 610 024 589	Ball Bearing	1	-,-	1	26
16	2 610 374 807	Brush Holder	1	-,-	2	23
19	2 610 374 806	Sealing cap BLACK	1	-,-	2	15
20	2 610 374 995	Screw	1	-,-	7	12
21	2 610 374 810	Air Guide Plate	1	-,-	1	13
24	2 610 374 803	Set Of Handles BLACK	1	-,-	1	27
28	2 610 374 817	Connection Piece	1	-,-	1	13
31	2 610 374 822	Housing	1	-,-	1	33
32	2 610 383 410	Set Of Gears	1	-,-	1	41
39	2 610 042 699	Deep-Groove Ball Bearing	1	-,-	1	22
42	2 610 374 797	Spindle	1	-,-	1	32
43	2 610 374 816	Seal	1	-,-	2	13
44	2 610 374 819	Bearing cover	1	-,-	1	31
45	2 610 364 778	Screw	1	-,-	4	11
47	2 610 024 748	Ball Bearing	1	-,-	1	22
48	2 610 367 908	Screw	1	-,-	8	11
62	2 610 374 834	Cable	1	-,-	2	14
64	2 610 374 913	Torx Oval-Head Screw 8x13	1	-,-	2	11
65	2 610 374 802	Nut	1	-,-	1	24
66	2 610 374 801	Flange	1	-,-	1	24
67	2 610 374 799	Protective Cap	1	-,-	1	32
68	2 610 374 818	Bolt	1	-,-	1	11
69	2 610 374 820	Ring	1	-,-	1	14

Item	Part Number	Description	Illustration	Price	Quantity	Price Group
70	2 610 361 858	Ring	1	-,-	1	11
71	2 610 364 031	Screw	1	-,-	2	11
72	2 610 364 930	Auxiliary Handle	1	-,-	1	-
73	2 610 374 813	Support	1	-,-	1	17
74	2 610 374 831	Screw	1	-,-	2	14
75	2 610 061 985	Washer	1	-,-	6	11
76	2 610 364 801	Nut	1	-,-	2	11
77	2 610 374 833	Spring	1	-,-	1	11
78	2 610 374 804	Lever BLACK	1	-,-	1	15
79	2 610 374 805	Safety Lever BLACK	1	-,-	1	13
80	2 610 374 837	Key	1	-,-	1	21
81	2 610 374 826	Washer	1	-,-	2	11
82	2 607 950 511	Single-Head Eng. Wrench SW17	1	-,-	1	15
83	2 610 061 984	Washer	1	-,-	2	11
84	2 610 374 823	Connector	1	-,-	2	13

F 015 975 OH1  
Stand } 98-11-12 Fig./Abb. 1  
Issue }



Anderungen vorbehalten  
Modifications reserved  
Modificacions reservadas  
Salvo modificaciones