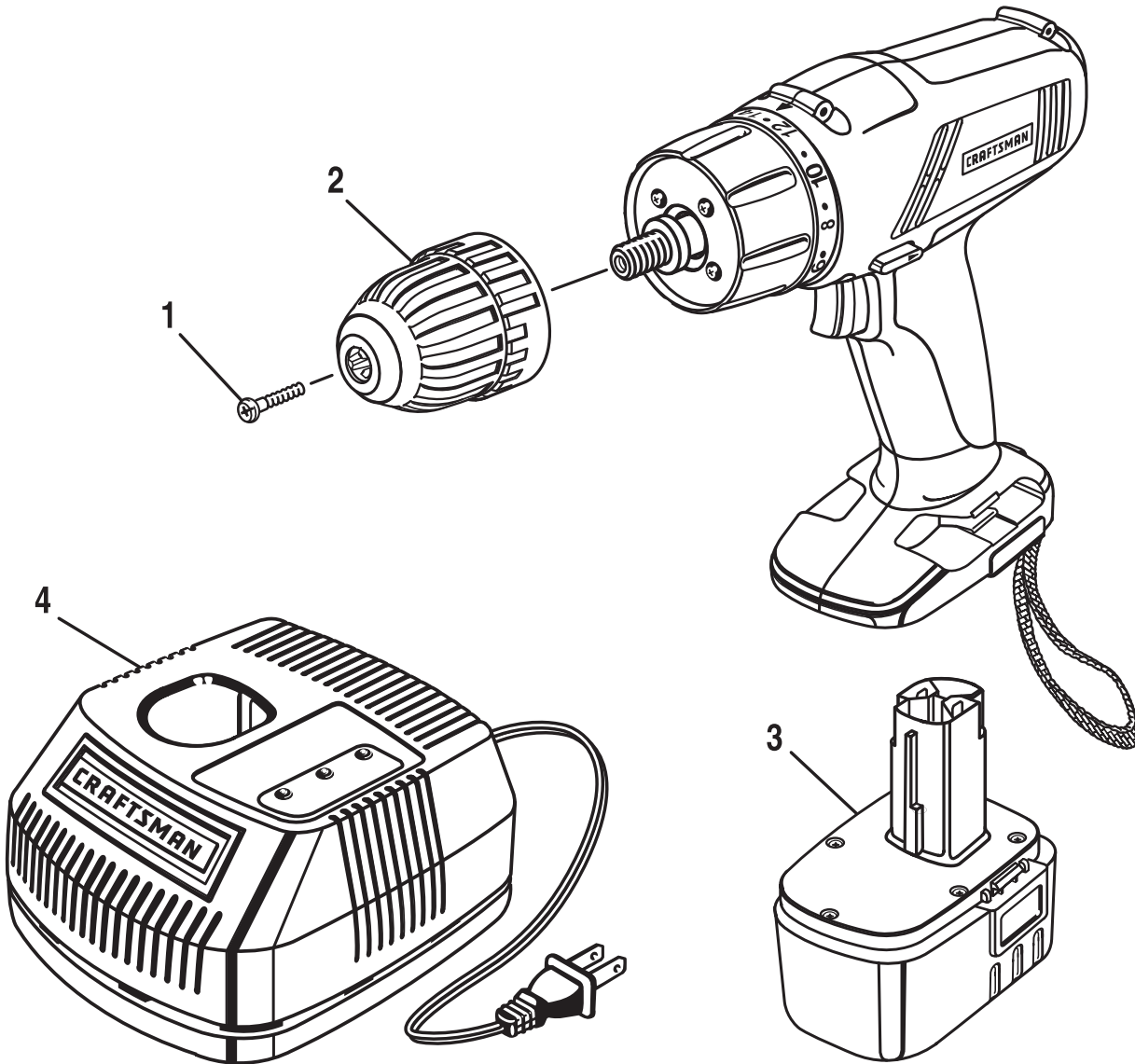


**CRAFTSMAN 10 mm (3/8 in.), 15.6 VOLT CORDLESS DRILL-DRIVER
MODEL NUMBER 973.227030**

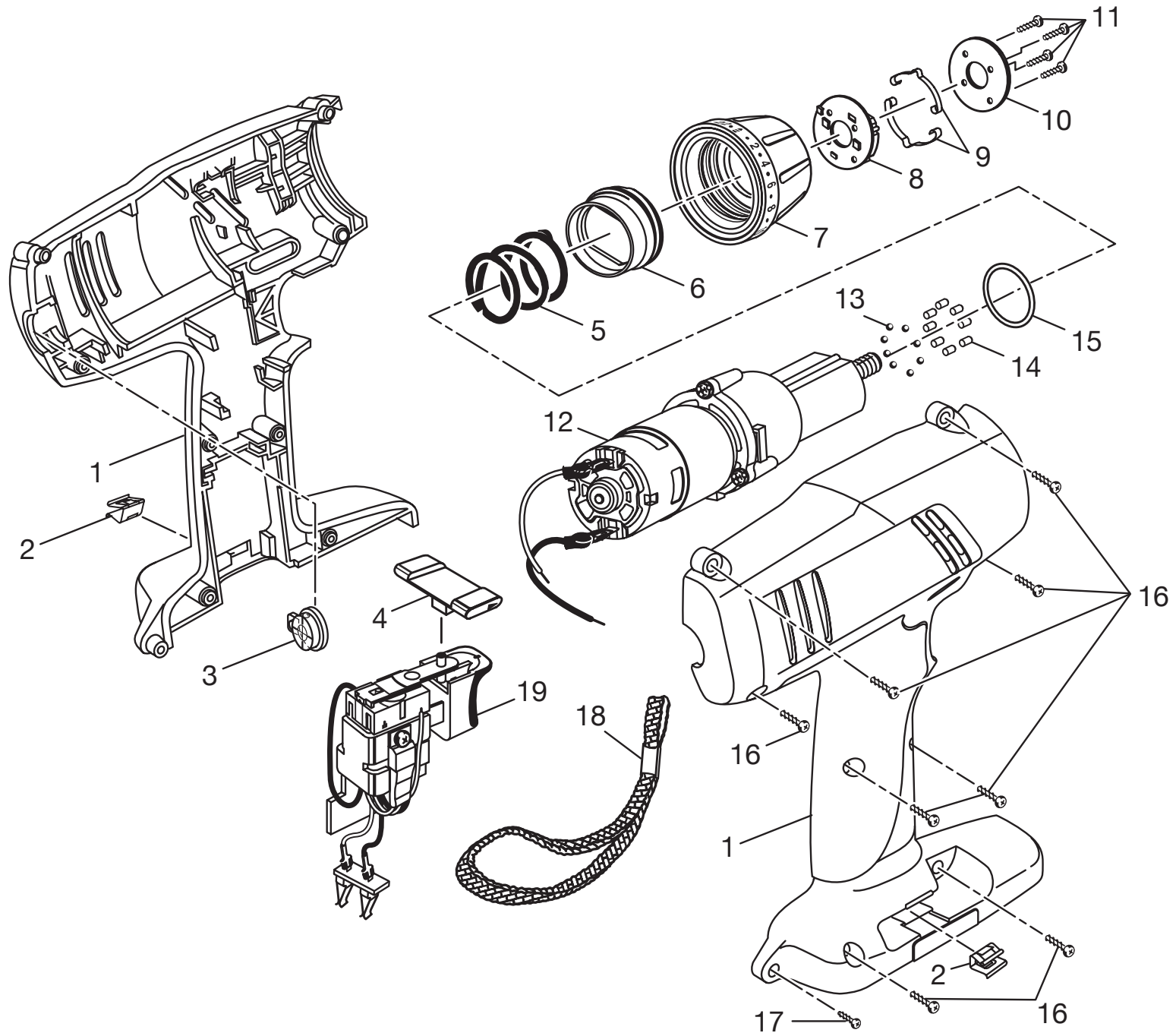
The model number will be found on a label attached to the motor housing. Always mention the model number in all correspondence regarding your **10 mm (3/8 in.), CORDLESS DRILL-DRIVER** or when ordering repair parts.



PARTS LIST

KEY NO.	PART NUMBER	DESCRIPTION	QTY.
1	6612001	SCREW (SPECIAL)	1
2	6903302	CHUCK (ITEM NO. 9 75188)	1
3	1323421	BATTERY PACK.....	1
4	1425302	CHARGER	1
5	6782206	BIT	1
6	6782037	BIT	1
7	3073080	CARRYING CASE (NOT SHOWN).....	1

CRAFTSMAN 10 mm (3/8 in.), 15.6 VOLT CORDLESS DRILL-DRIVER – MODEL NUMBER 973.227030



CRAFTSMAN 10 mm (3/8 in.), 15.6 VOLT CORDLESS DRILL-DRIVER – MODEL NUMBER 973.227030

The model number will be found on a label attached to the motor housing. Always mention the model number in all correspondence regarding your **10 mm (3/8 in.), CORDLESS DRILL-DRIVER** or when ordering repair parts.

PARTS LIST

KEY NO.	PART NUMBER	DESCRIPTION	QTY.
1	984736001	HOUSING ASSEMBLY	1
2	6320601	BIT CLIP	2
3	3048003	REAR LEVEL	1
4	3801303	FOWARD/REVERSE SELECTOR	1
5	6872401	SPRING	1
6	5501403	SLEEVE	1
7	3801103	CLUTCH CAP	1
8	5434609	SPRING HOLDER.....	1
9	6392201	DETENT SPRING	2
10	6375301	MOUNTING PLATE.....	1
11	6620501	SCREW (M3 x 14 mm).....	4
12	984684001	MOTOR W/GEAR TRAIN ASSEMBLY	1
13	6722001	STEEL BALL.....	8
14	6843505	PIN.....	8
15	6710501	WASHER (0.8 mm)	1
16	6620805	SCREW (M4 x 16 mm).....	8
17	660206042	SCREW (M3.5 x 16 mm).....	1
18	9002720	WRIST STRAP.....	1
19	2701248	SWITCH.....	1
	983000238	OPERATOR'S MANUAL	
	3-18-10		
	(REV:01)		