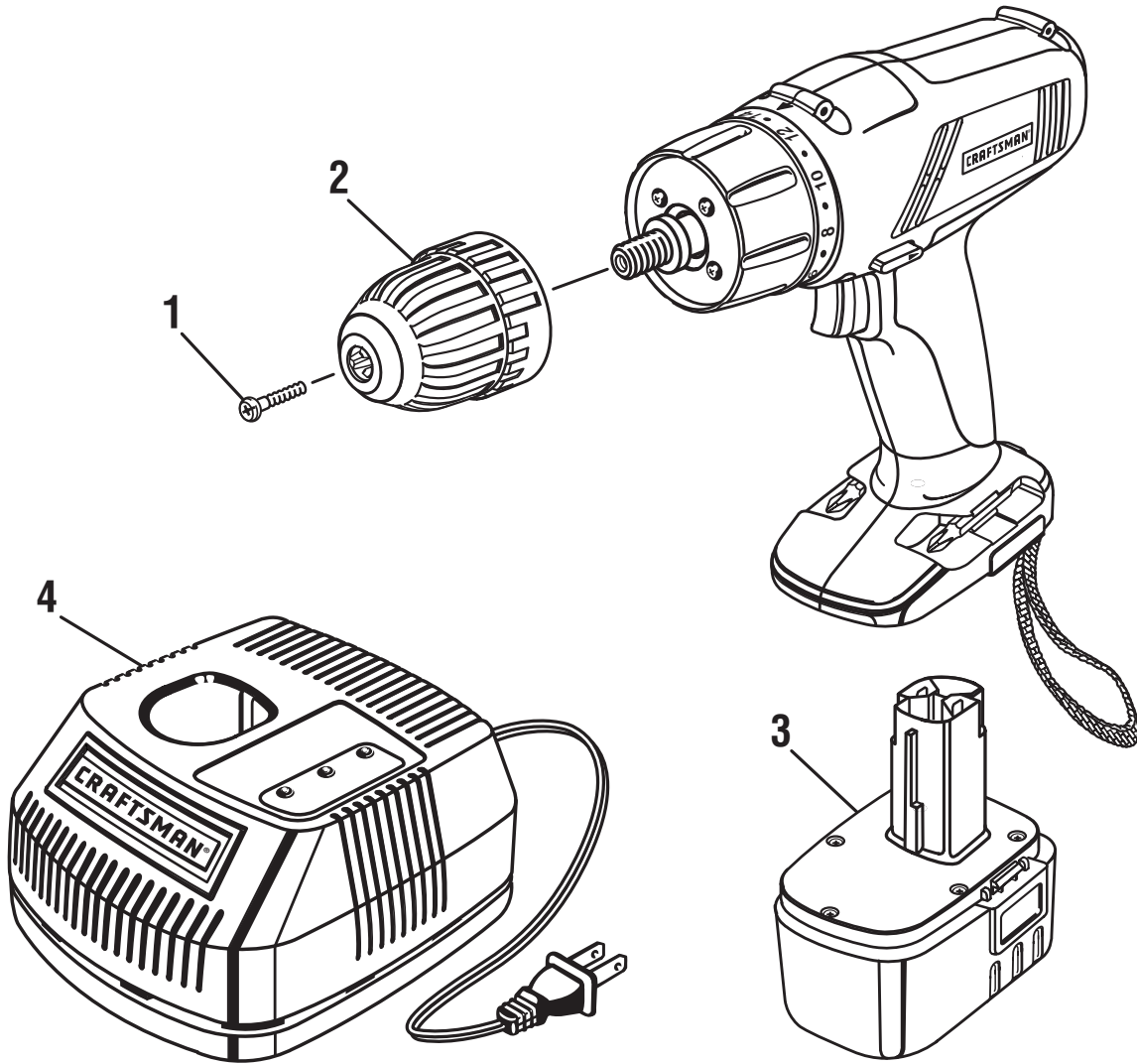


**CRAFTSMAN 10 mm (3/8 in.), 12 VOLT CORDLESS DRILL-DRIVER
MODEL NUMBER 973.222460**

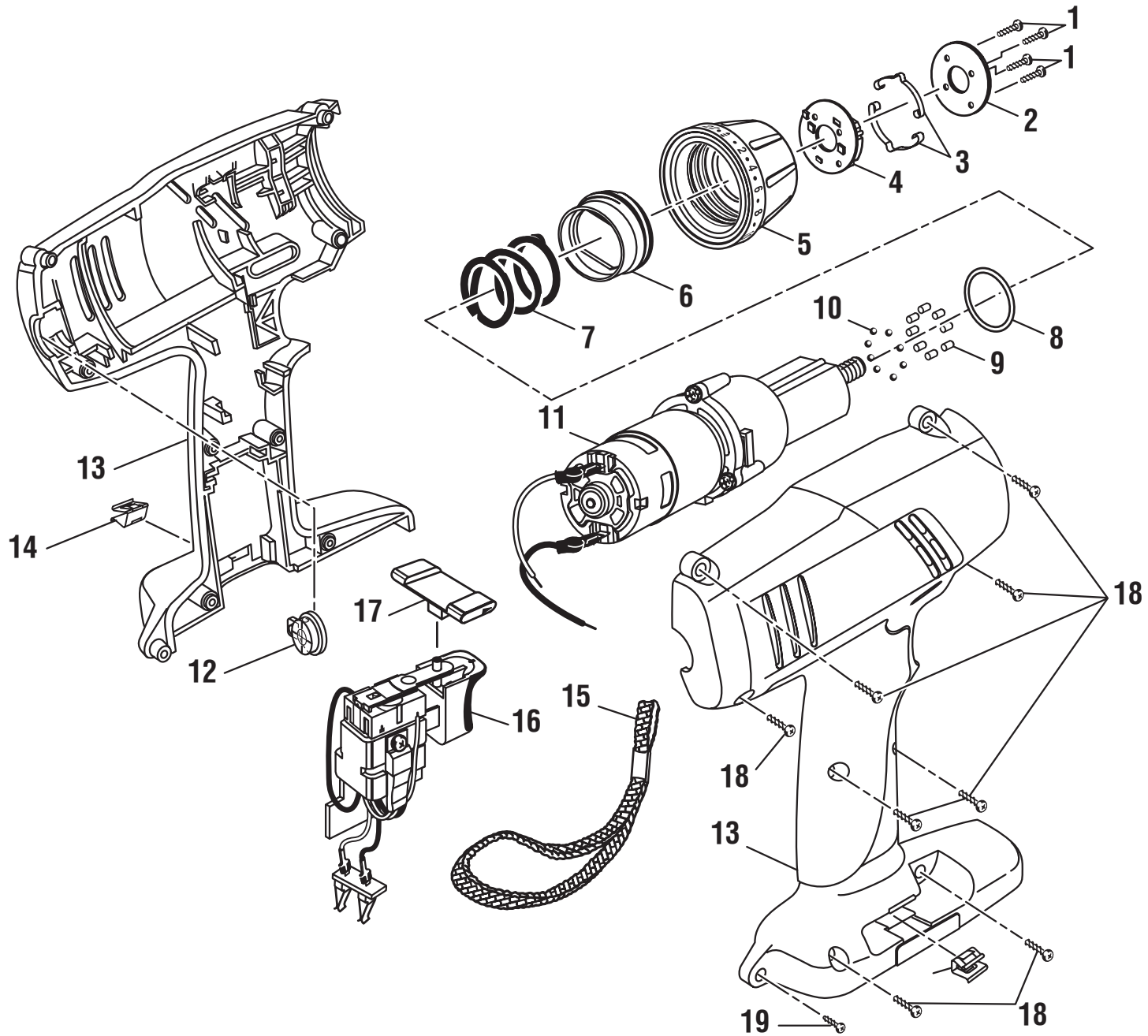
The model number will be found on a label attached to the motor housing. Always mention the model number in all correspondence regarding your **10 mm (3/8 in.), CORDLESS DRILL-DRIVER** or when ordering repair parts.



PARTS LIST

KEY NO.	PART NUMBER	DESCRIPTION	QTY.
1	616478003	SCREW (SPECIAL)	1
2	6903326	CHUCK (ITEM NO. 9 75188)	1
3	1323418	BATTERY PACK	1
4	140155004	CHARGER.....	1
5	9066502	CARRYING CASE - NOT SHOWN.....	1

CRAFTSMAN 10 mm (3/8 in.), 12 VOLT CORDLESS DRILL-DRIVER - MODEL NUMBER 973.222460



CRAFTSMAN 10 mm (3/8 in.), 12 VOLT CORDLESS DRILL-DRIVER – MODEL NUMBER 973.222460

The model number will be found on a label attached to the motor housing. Always mention the model number in all correspondence regarding your **10 mm (3/8 in.), CORDLESS DRILL-DRIVER** or when ordering repair parts.

PARTS LIST

KEY NO.	PART NUMBER	DESCRIPTION	QTY.
1	6620501	SCREW.....	4
2	6375301	CLUTCH RETAINER.....	1
3	6392201	SPRING PLATE.....	2
4	5434609	SPRING HOLDER.....	1
5	3801105	CLUTCH CAP.....	1
6	5501403	SLEEVE.....	1
7	6872401	SPRING.....	1
8	6710501	CLUTCH WASHER.....	1
9	6843505	PIN.....	8
10	6722001	BALL.....	8
11	984253001	MOTOR AND GEAR TRAIN ASSEMBLY.....	2
12	3048003	REAR LEVEL ASSEMBLY.....	1
13	984254001	HOUSING ASSEMBLY.....	1
14	630206007	BIT CLIP.....	2
15	9002720	WRIST STRAP.....	1
16	2701252	SWITCH ASSEMBLY.....	1
17	3801303	FOWARD/REVERSE SELECTOR.....	1
18	6620805	SCREW (M4 x 16 mm).....	8
19	660206042	SCREW (M3.5 x 16 mm).....	1
	983000093	OPERATOR'S MANUAL	
	2-28-13		
	(REV:04)		