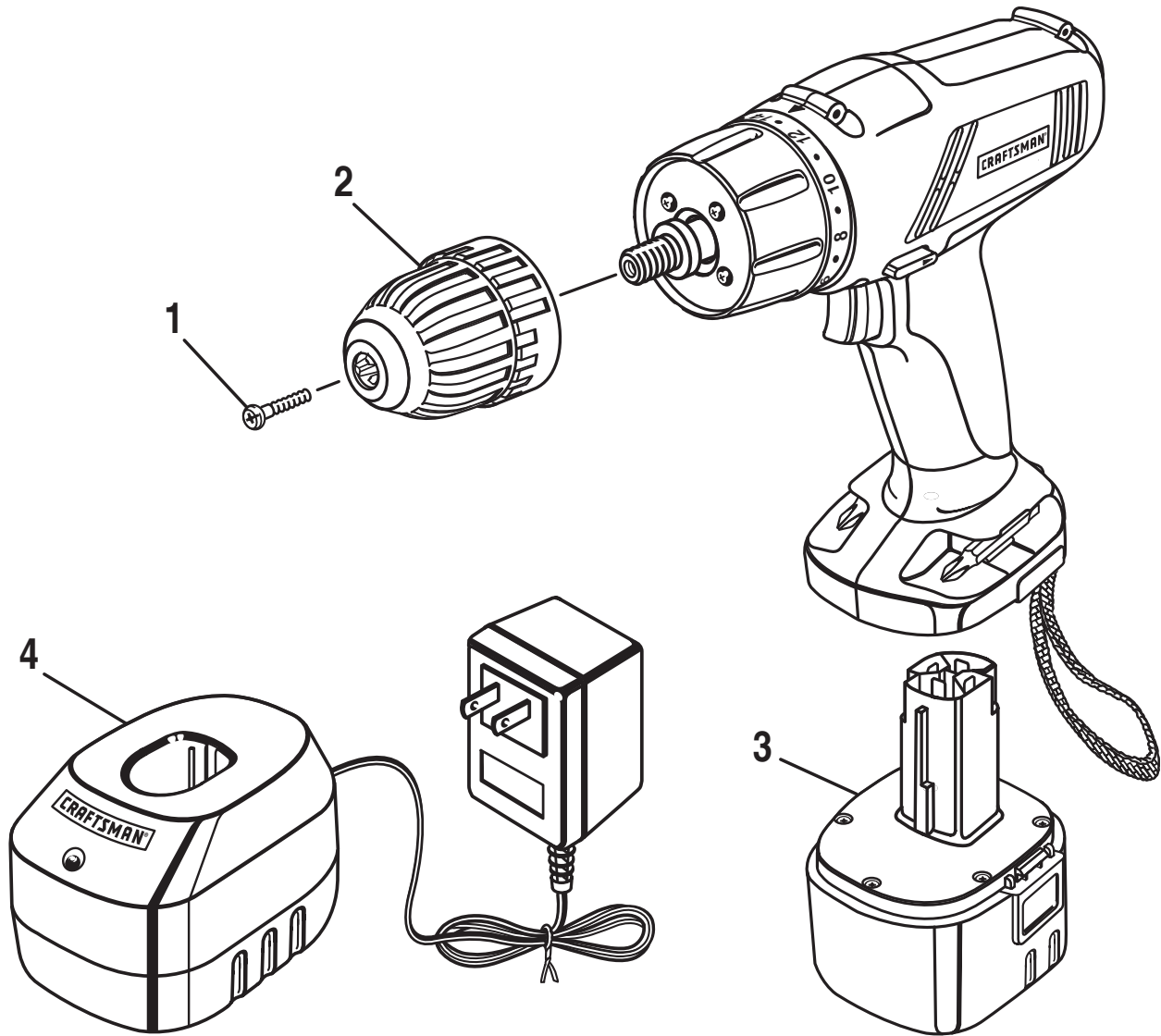


**CRAFTSMAN 3/8 in., 12 VOLT CORDLESS DRILL-DRIVER
MODEL NUMBER 973.113470**

The model number will be found on a label attached to the motor housing. Always mention the model number in all correspondence regarding your 3/8 in., **CORDLESS DRILL-DRIVER** or when ordering repair parts.



PARTS LIST

KEY NO.	PART NUMBER	DESCRIPTION	QTY.
1	6612001	SCREW (SPECIAL).....	1
2	6903326	CHUCK.....	1
3	ITEM NO. 911056	BATTERY PACK (1323412).....	1
4	ITEM NO. 911055	CHARGER (140302002).....	1
5	9066501	COOLER BAG (NOT SHOWN).....	1

CRAFTSMAN 3/8 in., 12 VOLT CORDLESS DRILL-DRIVER – MODEL NUMBER 973.113470

The model number will be found on a label attached to the motor housing. Always mention the model number in all correspondence regarding your 3/8 in., **CORDLESS DRILL-DRIVER** or when ordering repair parts.

PARTS LIST

KEY NO.	PART NUMBER	DESCRIPTION	QTY.
1	984113001	HOUSING ASSEMBLY	1
2	6620501	SCREW (M3 x 20 mm)	4
3	6375301	MOUNTING PLATE	1
4	6399201	DETENT RING	2
5	5434609	SPRING HOLDER.....	1
6	984115001	CLUTCH CAP ASSEMBLY	1
7	6872401	SPRING.....	1
8	6710501	CLUTCH WASHER.....	1
9	6722001	STEEL BALL	6
10	6843505	PIN.....	6
11	984114001	MOTOR W/GEAR TRAIN AND CLUTCH	1
12	2701238	SWITCH ASSEMBLY.....	1
13	3801303	FOWARD-REVERSE SELECTOR	1
14	3048003	REAR LEVEL	1
15	9002720	WRIST STRAP	1
16	6620805	SCREW (M4 x 16 mm)	7
17	660206042	SCREW (M3.5 x 16 mm)	1
18	6320601	BIT CLIP	2
	983000005	OPERATOR'S MANUAL	
	02-09-10		
	(REV:02)		