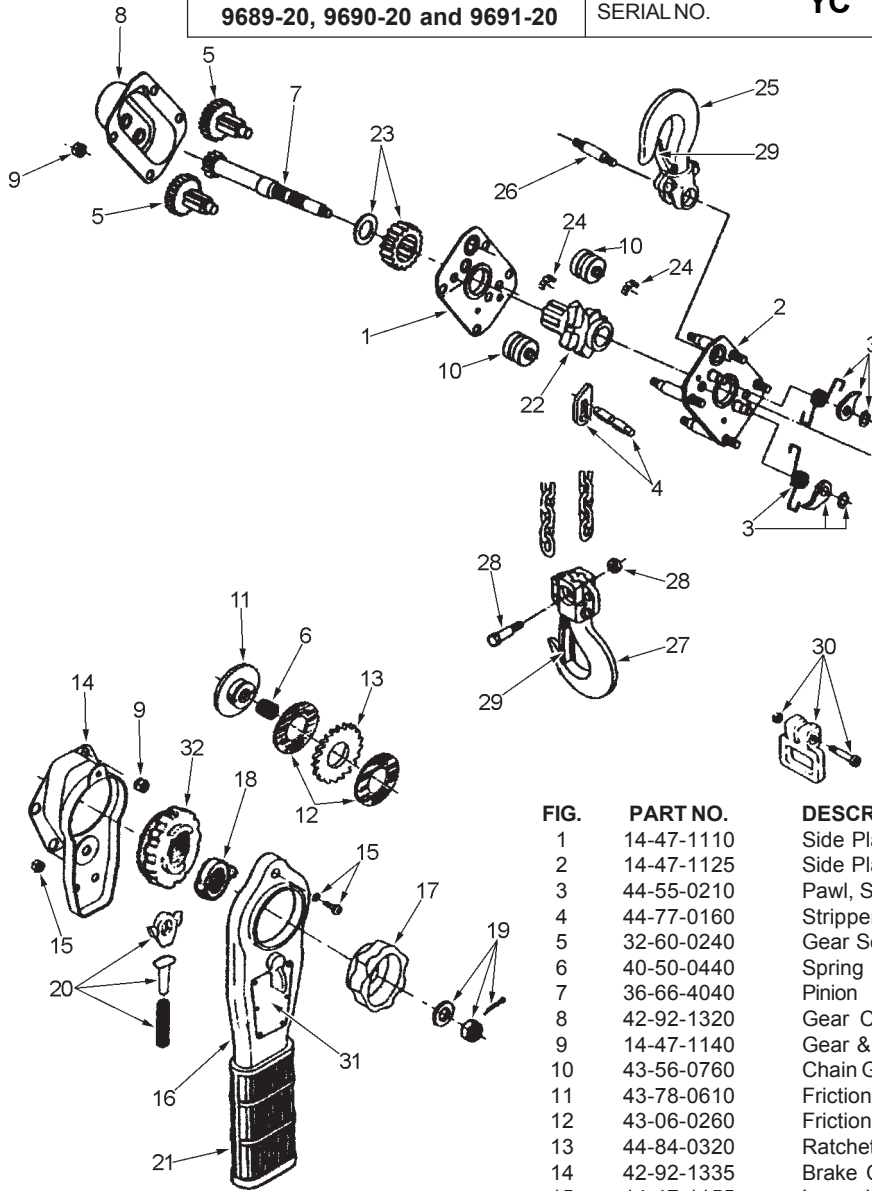




SERVICE PARTS LIST

BULLETIN NO.
54-02-0331

| | | | |
|--|----------------------------------|--------------------|------------|
| SPECIFY CATALOG NO. AND SERIAL NO. WHEN ORDERING PARTS | | REVISED BULLETIN | DATE |
| 3 TON LEVER HOISTS | | 54-02-0330 | Sept. 2002 |
| CATALOG NOS. 9689-20, 9690-20 and 9691-20 | STARTING SERIAL NO. YC | WIRING INSTRUCTION | |



00 0

EXAMPLE:
Component Parts
(Small #) Are Included
When Ordering The
Assembly (Large #).

| FIG. | PART NO. | DESCRIPTION OF PART | QTY. |
|------|------------|--|------|
| 1 | 14-47-1110 | Side Plate Assembly (gear side) | 1 |
| 2 | 14-47-1125 | Side Plate Assembly (brake side) | 1 |
| 3 | 44-55-0210 | Pawl, Spring & Retainer Ring | 2 |
| 4 | 44-77-0160 | Stripper | 1 |
| 5 | 32-60-0240 | Gear Set | 1 |
| 6 | 40-50-0440 | Spring | 1 |
| 7 | 36-66-4040 | Pinion | 1 |
| 8 | 42-92-1320 | Gear Cover w/Bushings | 1 |
| 9 | 14-47-1140 | Gear & Brake Cover Hardware Kit | 1 |
| 10 | 43-56-0760 | Chain Guide Roller | 2 |
| 11 | 43-78-0610 | Friction Hub | 1 |
| 12 | 43-06-0260 | Friction Disc | 2 |
| 13 | 44-84-0320 | Ratchet | 1 |
| 14 | 42-92-1335 | Brake Cover Assembly | 1 |
| 15 | 14-47-1155 | Lever Hardware Kit | 1 |
| 16 | 44-10-0450 | Lever Assembly | 1 |
| 17 | 43-98-0740 | Free Chaining Knob | 1 |
| 18 | 45-88-1645 | Check Washer | 1 |
| 19 | 14-47-1170 | Brake Nut Kit | 1 |
| 20 | 14-47-1180 | Directional Pawl Kit | 1 |
| 21 | 43-62-1305 | Lever Grip | 1 |
| 22 | 14-47-1195 | Liftwheel | 1 |
| 23 | 14-47-1210 | Liftwheel Gear Kit | 1 |
| 24 | 14-47-1225 | Liftwheel Roller Kit | 1 |
| 25 | 14-36-0320 | Upper Hook Assembly | 1 |
| 26 | 44-60-1740 | Upper Hook Pin | 1 |
| 27 | 14-36-0335 | Lower Hook Assembly | 1 |
| 28 | 14-03-0175 | Chain Bolt Kit | 1 |
| 29 | 14-47-1240 | Latch Kit | 2 |
| 30 | 14-03-0190 | Chain Stop Kit | 1 |
| 31 | 12-20-1460 | Nameplate Kit | 1 |
| 32 | 43-78-0625 | Lever Ratchet | 1 |
| | 12-20-1475 | Warning Label & Free Chain Tag Kit (Not Shown) | 1 |