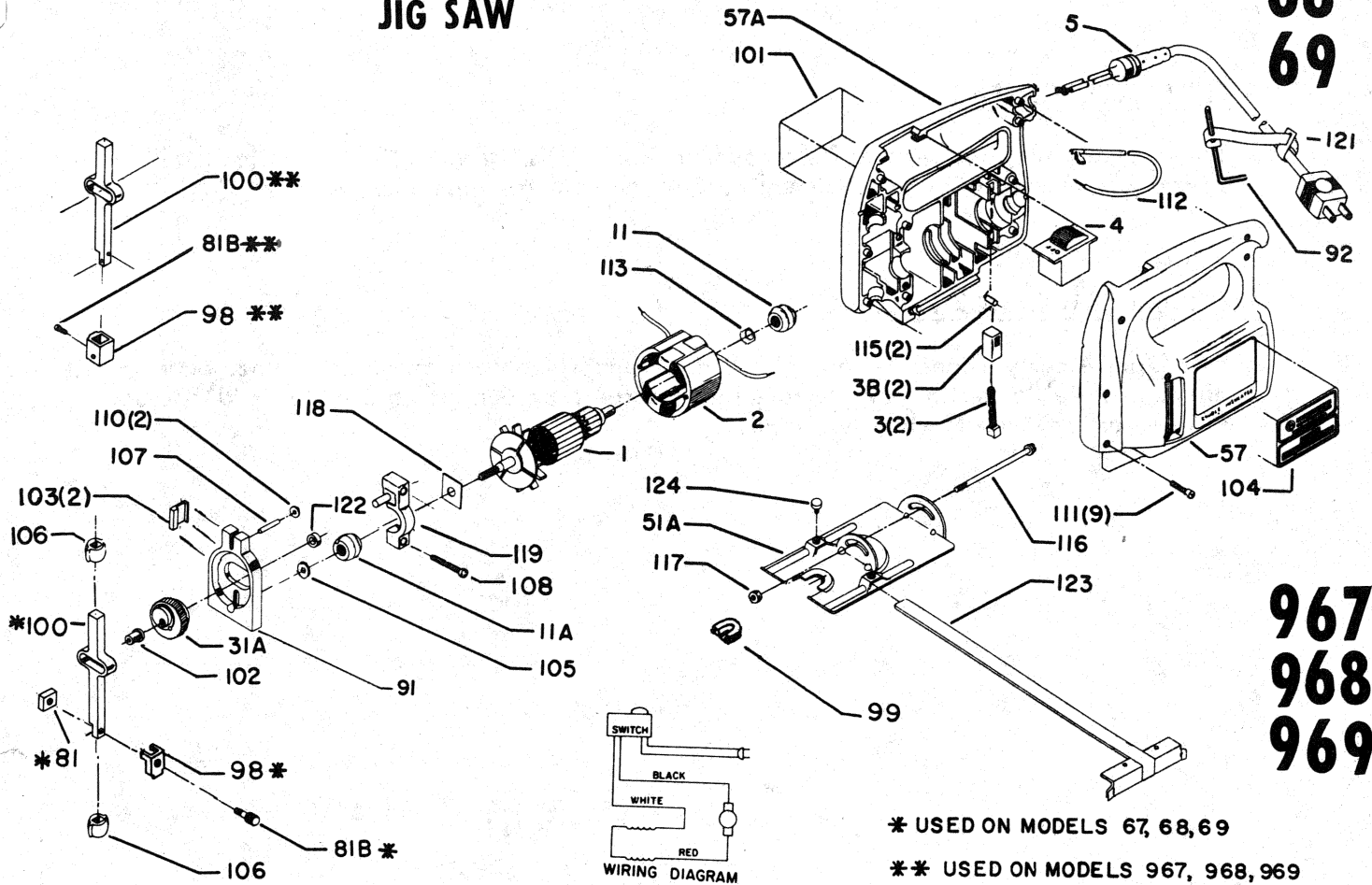


ROCKWELL JIG SAW

67
68
69



967
968
969

* USED ON MODELS 67, 68, 69

** USED ON MODELS 967, 968, 969

Ref. No.	Part No.	Description	Ref. No.	Part No.	Description
1	680976	Armature 115V	104	680742	Spec. Plate (67)
2	680965	Field 115V		680744	Spec. Plate (68)
3	852875	Brush		680746	Spec. Plate (69)
3B	852874	Brush Holder		682214	Spec. Plate (967)
4	680587	Switch (67, 967)		682215	Spec. Plate (968)
	680588	Switch (68, 968)		682216	Spec. Plate (969)
	680589	Switch (69, 969)	105	680791	Slinger
5	852894	Cord	106	856979	Blade Holder Bearing
11	680783	Comm. End Brg. (67, 967, 68, 968)	107	680432	Guide Pin
	855284	Comm. End Brg. (69, 969)	108	856482	Plate Screw
11A	680783	Fan End Bearing	110	680433	Washer
31A	680338	Gear Assembly	111	856480	Screw
51A	680653	Base	112	680414	Lead Assembly
57	680381	L. H. Housing	113	849521	Spring Washer (67, 68, 967, 968)
57A	680380	R. H. Housing			
81	681584	Blade Nut (67, 68, 69)	115	810495	Plug
81B	681617	Blade Screw (67, 68, 69)	116	680685	Pivot Screw
	682223	Blade Screw (967, 968, 969)	117	680848	Pivot Nut
91	680429	Counterweight	118	848594	Thrust Washer (67, 68, 967, 968)
92	843076	Wrench (67, 68, 69)	119	682019	Cover Plate
98	681574	Reinforcer (67, 68, 69)	121	842323	Holder (67, 68, 69)
	682353	Reinforcer (967, 968, 969)	122	856886	Counterweight Spacer
99	48370	Base Inserts	123	47124	Rip Guide, Incl:
100	856978	Blade Holder (67, 68, 69)	124	680392	Rip Guide Screw
	682228	Blade Holder (967, 968, 969)	*	682139	Lube 1 Lb. Can
101	680743	Dec. Plate (67, 967)			
	680745	Dec. Plate (68, 968)			
	680747	Dec. Plate (69, 969)			
102	856975	Drive Roller			
103	680784	Counterweight Guide			



SERVICE NOTES

FIELD REPLACEMENT

The currently supplied service field has four leads. Disregard the two black leads which are only a jumper wire with no electrical connection with the field winding.

COMMUTATOR END BEARING

Felt Oiler - Early models 67, 68, 967, and 968 incorporate a commutator bronze bearing felt oiler. The felt oiler has been removed from currently produced units and should also be removed from other units when servicing.