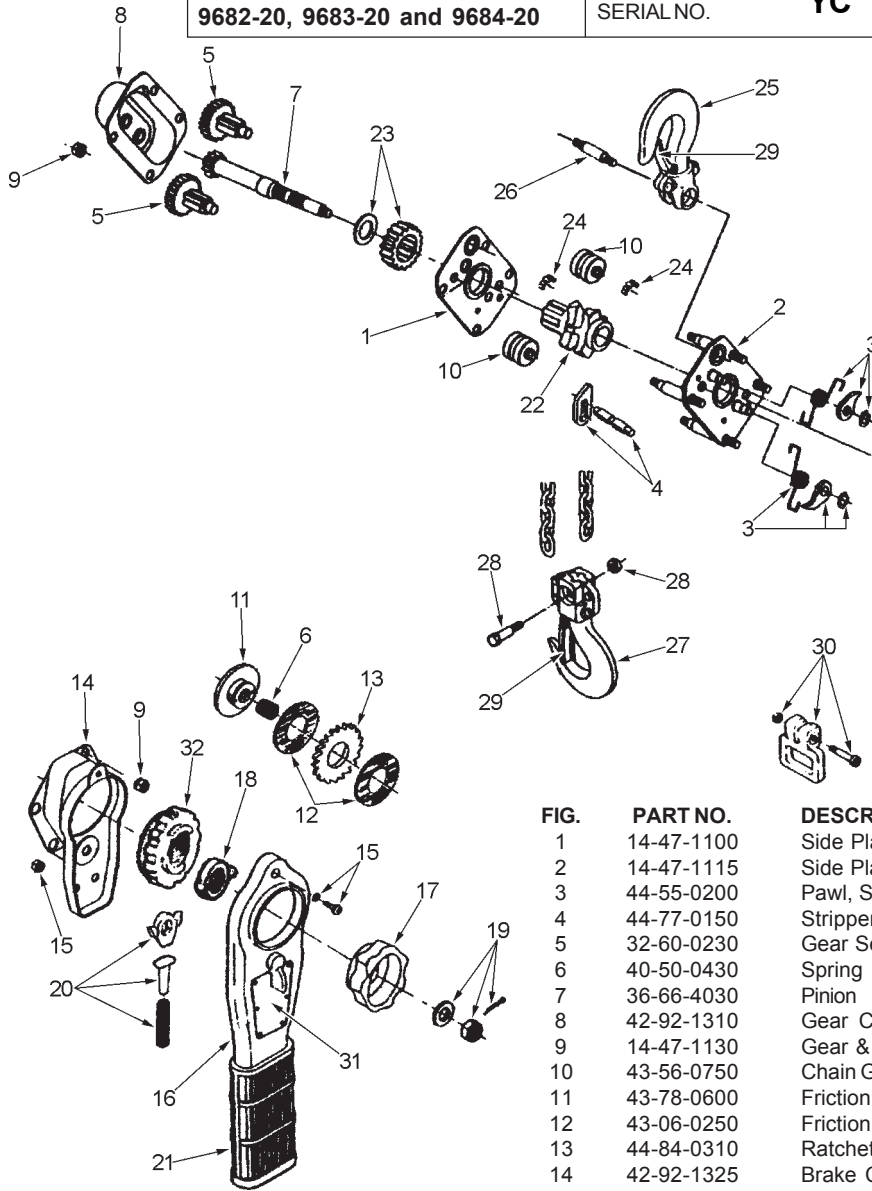




SERVICE PARTS LIST

BULLETIN NO.
54-02-0131

SPECIFY CATALOG NO. AND SERIAL NO. WHEN ORDERING PARTS		REVISED BULLETIN	DATE
3/4 TON LEVER HOISTS		54-02-0130	Sept. 2002
CATALOG NOS. 9682-20, 9683-20 and 9684-20	STARTING SERIAL NO. YC	WIRING INSTRUCTION	



00 0

EXAMPLE:
Component Parts
(Small #) Are Included
When Ordering The
Assembly (Large #).

FIG.	PART NO.	DESCRIPTION OF PART	QTY.
1	14-47-1100	Side Plate Assembly (gear side)	1
2	14-47-1115	Side Plate Assembly (brake side)	1
3	44-55-0200	Pawl, Spring & Retainer Ring	2
4	44-77-0150	Stripper	1
5	32-60-0230	Gear Set	1
6	40-50-0430	Spring	1
7	36-66-4030	Pinion	1
8	42-92-1310	Gear Cover w/Bushings	1
9	14-47-1130	Gear & Brake Cover Hardware Kit	1
10	43-56-0750	Chain Guide Roller	2
11	43-78-0600	Friction Hub	1
12	43-06-0250	Friction Disc	2
13	44-84-0310	Ratchet	1
14	42-92-1325	Brake Cover Assembly	1
15	14-47-1145	Lever Hardware Kit	1
16	44-10-0440	Lever Assembly	1
17	43-98-0740	Free Chaining Knob	1
18	45-88-1645	Check Washer	1
19	14-47-1160	Brake Nut Kit	1
20	14-47-1175	Directional Pawl Kit	1
21	43-62-1300	Lever Grip	1
22	14-47-1185	Liftwheel	1
23	14-47-1200	Liftwheel Gear Kit	1
24	14-47-1215	Liftwheel Roller Kit	1
25	14-36-0310	Upper Hook Assembly	1
26	44-60-1730	Upper Hook Pin	1
27	14-36-0325	Lower Hook Assembly	1
28	14-03-0165	Chain Bolt Kit	1
29	14-47-1230	Latch Kit	2
30	14-03-0180	Chain Stop Kit	1
31	12-20-1450	Nameplate Kit	1
32	43-78-0615	Lever Ratchet	1
	12-20-1465	Warning Label & Free Chain Tag Kit (Not Shown)	1