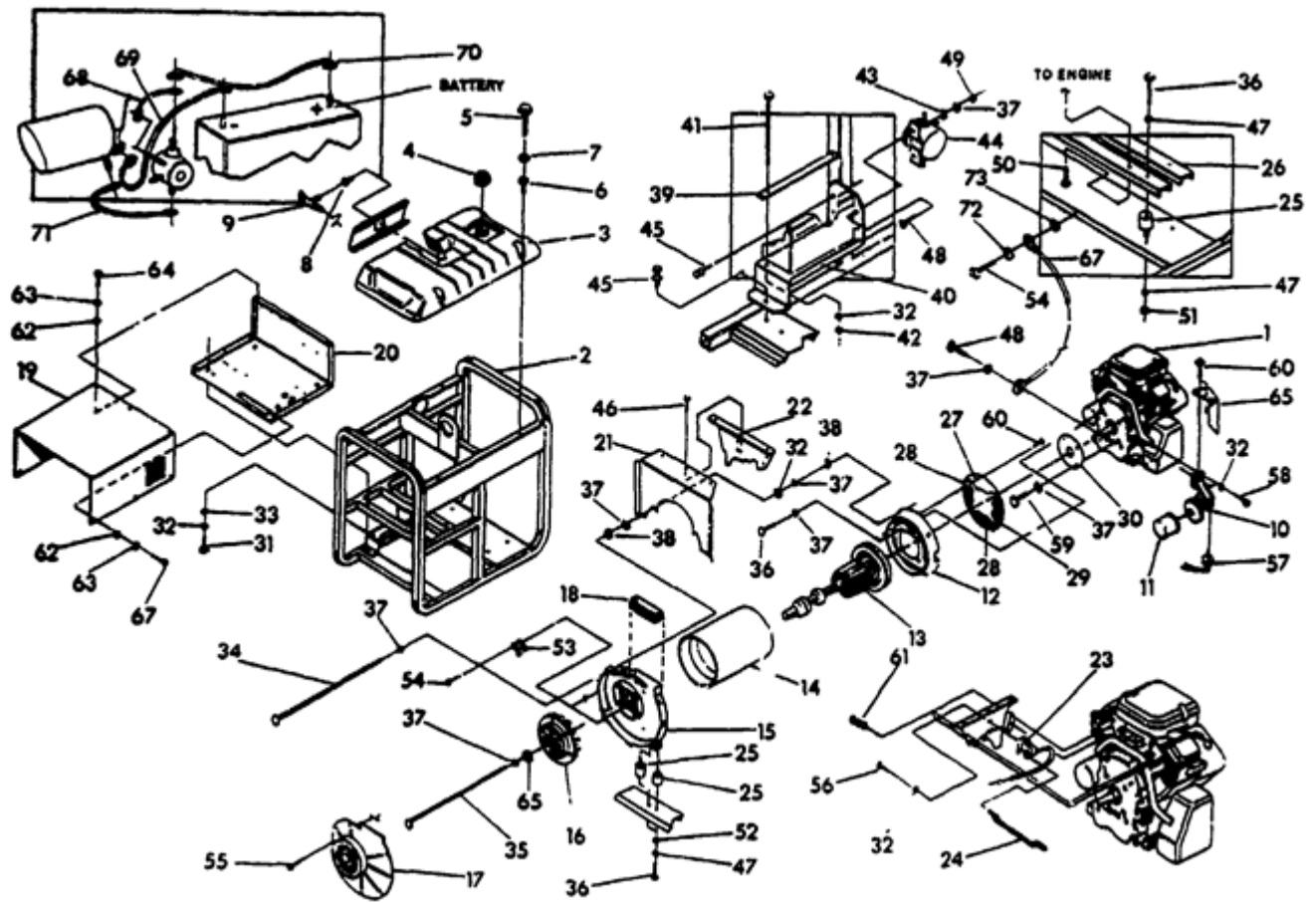


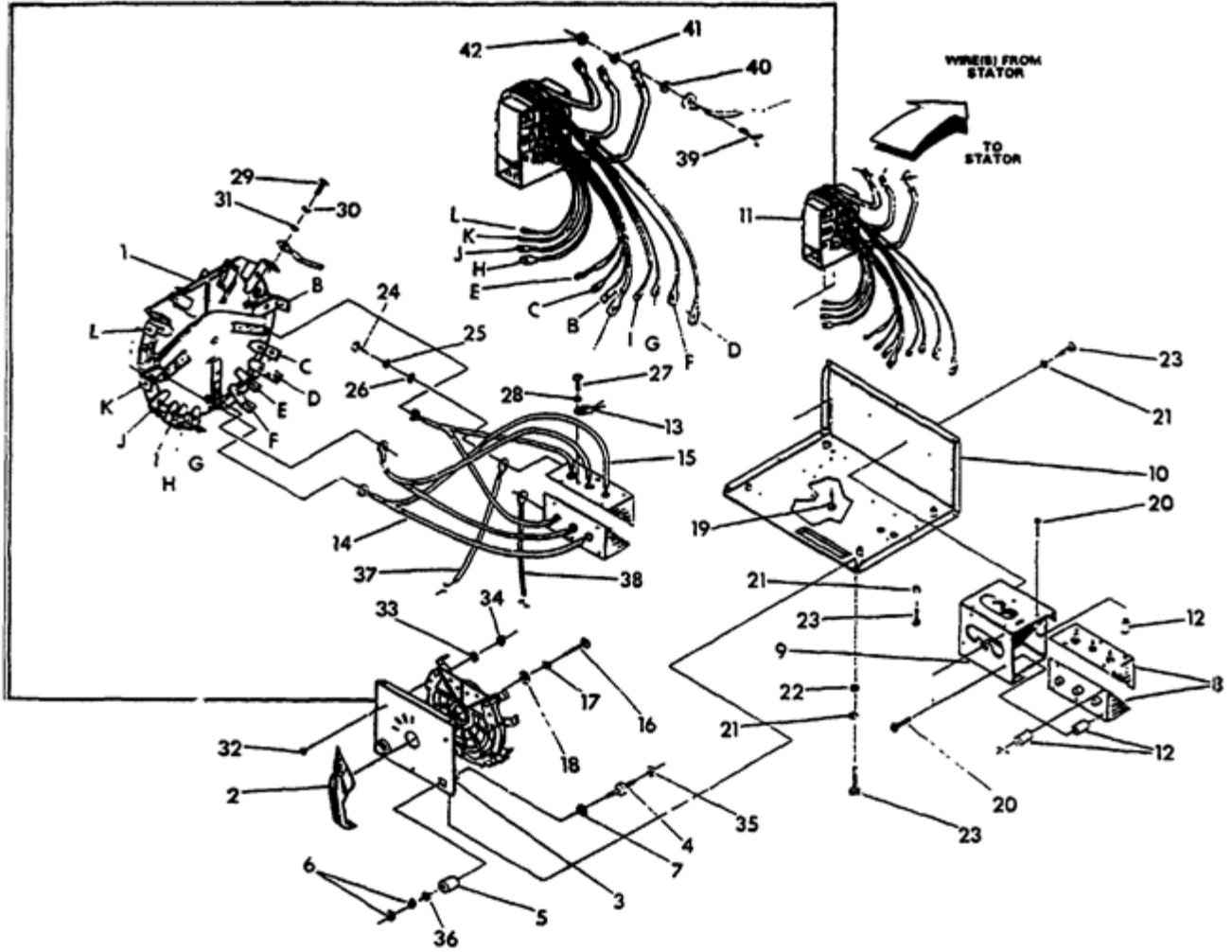
Ref #	Part #	Description	Context Note	Foot Note
1	90365	Panel Base		
2	90366	Reactor Assembly		
3	90364	Panel Base Cover		
4	91506	Control Panel		
5	42813	Knob		
6	82538	Rocker Type Switch		
7	87798	Switch (SPDT)		
8	68759	120 VAC, 20 Amp Duplex Outlet		
9	68867	120/240 VAC, 20 Amp Outlet		
10	68868	120 VAC, 30 Amp Outlet		
11	53693	10 k Potentiometer		
12	92599	Insulator		
13	66822	12 VDC Outlet (with Retainer)	(66822 Is Screw In Replacement. If Customer Needs Snap Type Must Order 90418.)	
14	82545	Fault indicator Lamp (LED)		
15	75207A	30 Amp Circuit Breaker		
16	75207	20 Amp Circuit Breaker		
17	75207B	10 Amp Circuit Breaker		
18	65795	Battery Charge Rectifier		
19	75234	1 ohm Resistor		
20	64733	Resistor Mounting Bracket		
21	43181	M3-0.50 x 10mm Pan Head Machine Screw		
22	43182	M3 Lockwasher		
23	36935	No. 10-32 x 3/4" Pan Head Machine Screw		
24	23897	No. 10 Flatwasher		
25	22152	No. 10 Lockwasher		
26	22158	No. 10-32 Hex Nut		
27	75475	M4-0.70 x 10mm Pan Head Machine Screw		
28	38150	M4 Flatwasher		
29	22264	M4 Lockwasher		
30	51715	M4-0.70 Hex Nut		
31	50545	Foam Washer		
32	26579	"14 External Lockwasher		
33	90369	Controller Circuit Board Mounting Bracket		
34	93929	Controller Circuit Board Standoff		

Ref #	Part #	Description	Context Note	Foot Note
35	90855	Engine Controller Circuit Board		
36	93956	M3-0.50 x 16mm Capscrew		
37	75476	M4-0.70 x 16mm Pan Head Machine Screw		
38	51753	M6-1.00 x 40mm Screw		
39	22129	M6 Lockwasher		
40	22473	M6 Flatwasher		
41	92973	Auxiliary Power Relay		
42	92915	Battery Charge Relay		
43	23484F	Snap Bushing		
44	57345	4-Tab Lug		
45	23364	No. 6 internal Shakeproof Washer		



Ref #	Part #	Description	Context Note	Foot Note
1	92738	V-Twin Engine 18 HP	(Includes Stepper Motor)	
2	90957	Cradle Assembly		
3	90915	Fuel Tank - 5 Gallon		
4	90878	Fuel Tank Filler Cap		
5	79816	M6-1.00 x 35mm Capscrew		
6	83465	Fuel Tank Grommet		
7	78830	Special Washer (Black)		
8	78299	Plastic Tank Bushing		
9	80270	Fuel Tank Valve		
10	90914	Oil Filter Adapter		
11	70185	Oil Filter		
12	92774	Engine Adaptor		
13	91232	Rotor Assembly		
14	91179	Stator Assembly		
15	90910	Rear Bearing Carrier		
16	91524	Rear Cooling Fan		
17	90906	Cooling Fan Cover		
18	90966	Air Duct (Rubber)		
19	90364	Control Panel Cover		
20	90365	Control Panel		
21	90916	Stator Heat Shield		
22	93322	Engine Heat Shield		
23	92102	Stepper Motor Assembly		
24	92526	Governor Lever		
25	35097	Vibration Damper		
26	92582	Engine Support		
27	71791	Cover		
28	55275	Guard & Rodent Screen		
29	93684	Screen Cover		
30	55277	Center Guard		
31	51713	M6-1.00 x 40mm Capscrew		
32	22097	M6 Lockwasher		
33	22473	Flatwasher		
34	93466	5/16"-24 x 12-1/4" Stator Bolt		
35	29810	5/16"-24 x 12" Capscrew		
36	23152	5/16"-24 x 3/4" Capscrew		
37	22129	5/16" Lockwasher		
38	24114	5/16" Hex Nut		
39	44951	Battery Hold-Down Bar		
40	84650	Battery Tray		
41	45000	1/4"-20 x 7" Bolt		

Ref #	Part #	Description	Context Note	Foot Note
42	22127	1/4"-20 Hex Nut		
43	22145	5/16" Flatwasher		
44	56739	12 VDC Solenoid		
45	86292	No. 10 Self-Drill Screw		
46	56892	No. 10-24 x 3/8" Screw		
47	22237	3/8" Lockwasher		
48	42907	M8-1.25 x 16mm Capscrew		
49	45771	M8-1.25 Nut		
50	76246	3/8"-16 x 1/4" Screw		
51	27628	3/8" Hex Nut		
52	22131	3/8" Flatwasher		
53	66386	Brush Holder		
54	66849	M5-0.80 x 16mm Screw		
55	74908	M5-0.80 x 10mm Screw		
56	43146	M6-1.00 x 10mm Capscrew		
57	60108	Low Oil Pressure Switch		
58	64182	M6-1.00 x 16mm Socket Head Capscrew		
59	22336	5/16"-24 x 3/4" Capscrew		
60	46852	No. 10-32 x 1/4" Screw		
61	94084	Flanged Capscrew		
62	38150	M4 Flatwasher		
63	22264	M4 Lockwasher		
64	75476	M4-0.70 x 16mm Pan Head Machine Screw		
65	93841	Heat Shield		
66	67451	M8 Flatwasher		
67	16653621	Ground Wire		
68	17253621	Jumper Wire		
69	16153621	Battery Ground Cable		
70	16053621	Positive Battery Cable		
71	16253621	Solenoid to Starter Cable		
72	23857	M5 Flatwasher		
73	22769	Shakeproof Washer		



Ref #	Part #	Description	Context Note	Foot Note
1	90381	Range Selector Switch Assembly		
2	90382	Range Selector Switch Handle		
3	92028	Range Selector Switch Panel		
4	89533	Carriage Bolt		
5	88750	Outer Insulator		
6	91849	1/2" Brass Nut		
7	88749	Inner Insulator		
8	90376	300 Amp Heat Sink		
9	90377	Heat Sink Support		
10	90365	Control Panel Base		
11	90366	Reactor Assembly		
12	92568	Insulator Assembly		
13	92876	Overload Thermistor		
14	90380	Diode		
15	90386	Diode		
16	57821	M8-1.25 x 40mm Capscrew		
17	22129	M8 Lockwasher		
18	49810	M8 Flatwasher		
19	69252	5/16"-12 x 5/8" Screw		
20	51787	M4-0.80 x 16mm Capscrew		
21	22264	M4 Lockwasher		
22	43180	M4 Flatwasher		
23	75476	M4-0.70 x 16mm Pan Head Machine Screw		
24	33209	3/8"-24 x 3/4" Capscrew		
25	22237	3/8" Lockwasher		
26	22131	3/8" Flatwasher		
27	51717	M3-0.50 x 12mm Pan Head Machine Screw		
28	43182	M3 Lockwasher		
29	52618	3/8" Flatwasher		
30	49226	M5 Lockwasher		
31	51713	M5 Flatwasher		
32	75477	M5-0.80 x 20mm Pan Head Machine Screw		
33	22152	No. 10 Lockwasher		
34	22158	No. 10-32 Hex Nut		
35	22241	3/8"-16 Hex Nut		
36	88460	1/2" Lockwasher		
37	93777A	Braided Cable Assembly		
38	93777	Braided Cable Assembly		
39	47411	M6-1.00 x 16mm Capscrew		
40	49811	M6 Flatwasher		
41	22097	M6 Lockwasher		

Ref #	Part #	Description	Context Note	Foot Note
42	49813	M6 Hex Nut		