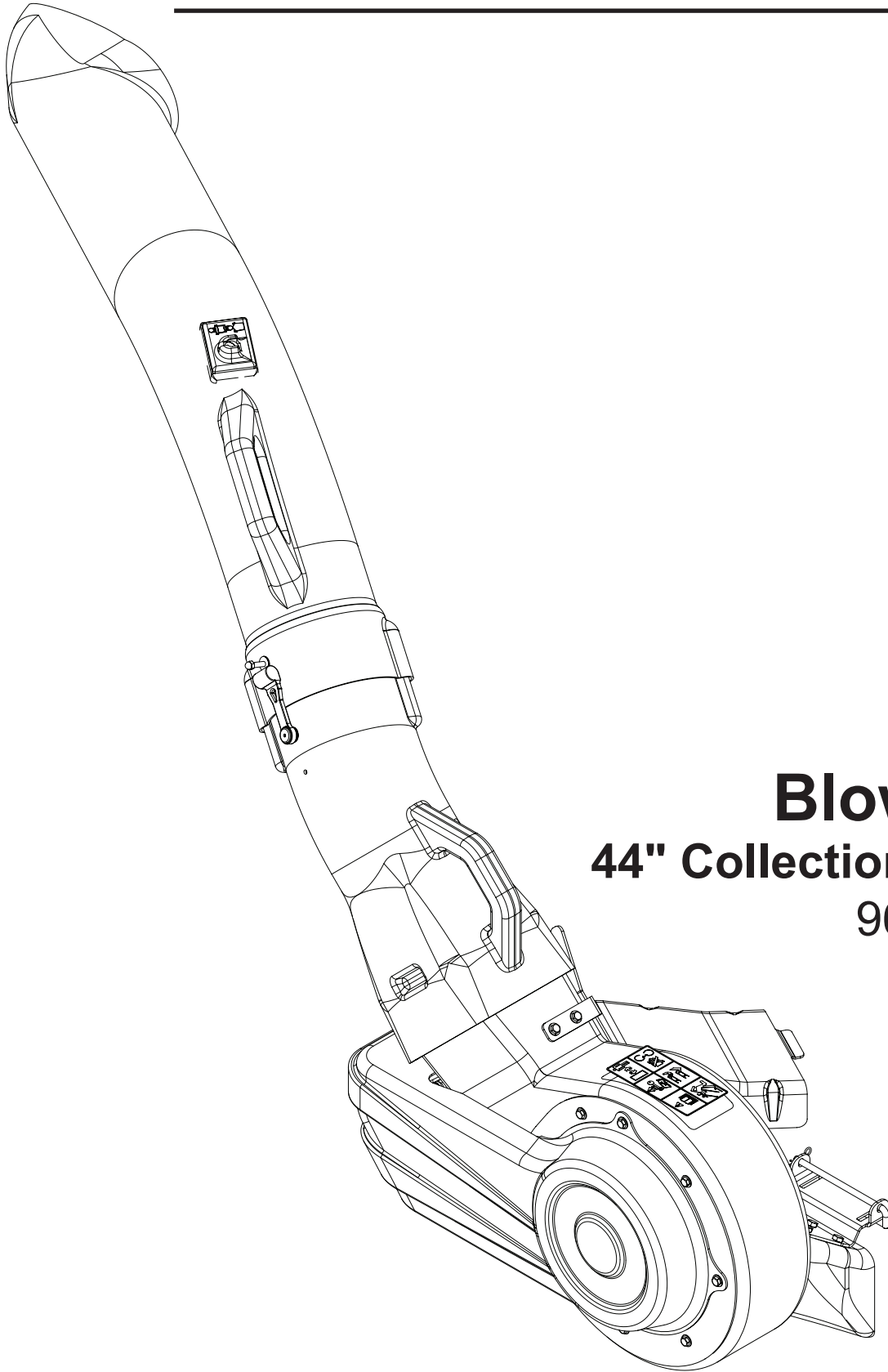


# Illustrated Parts List

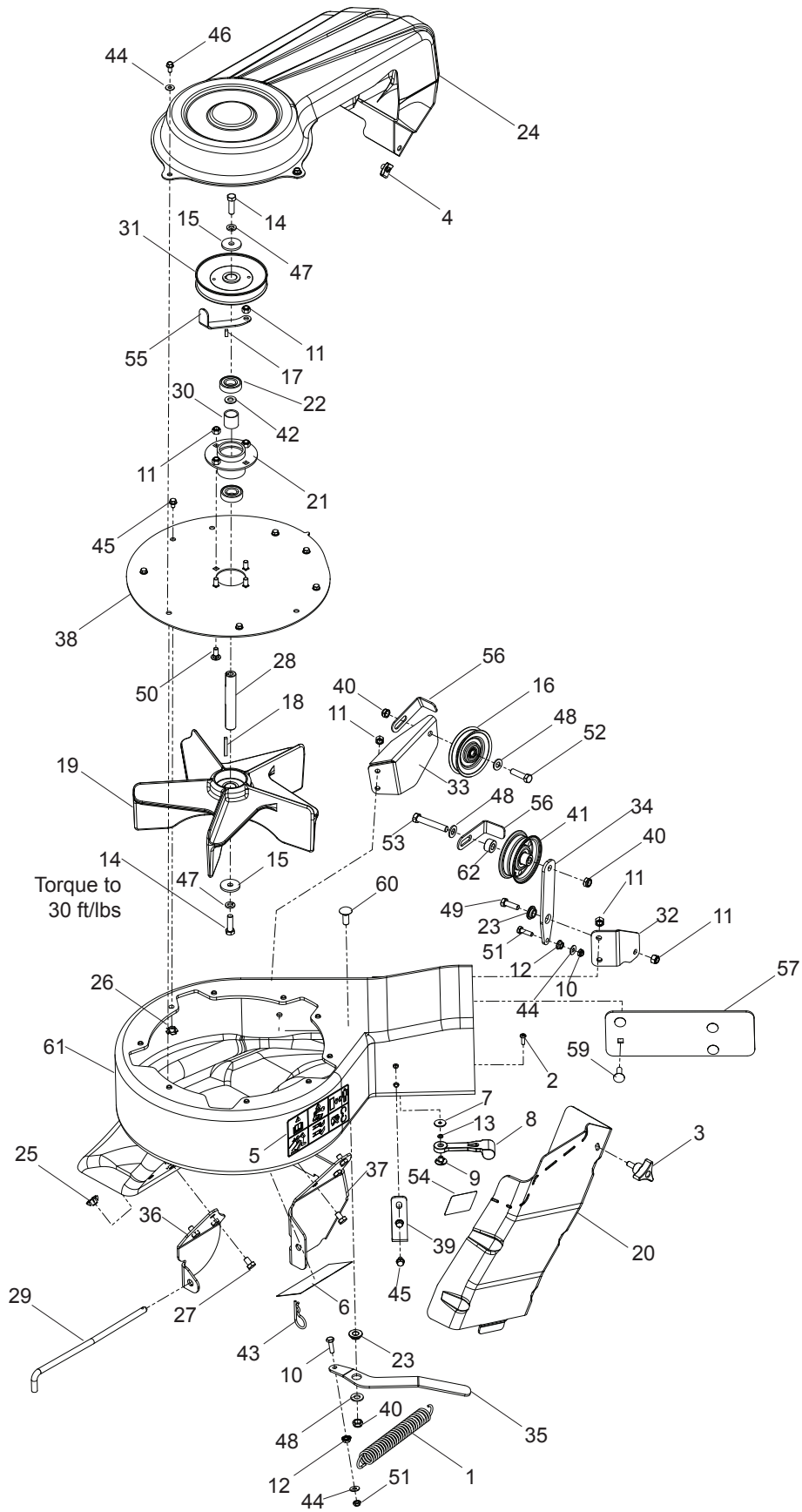
---



**Blower Kit**  
**44" Collection System**  
966004401



# REPAIR PARTS



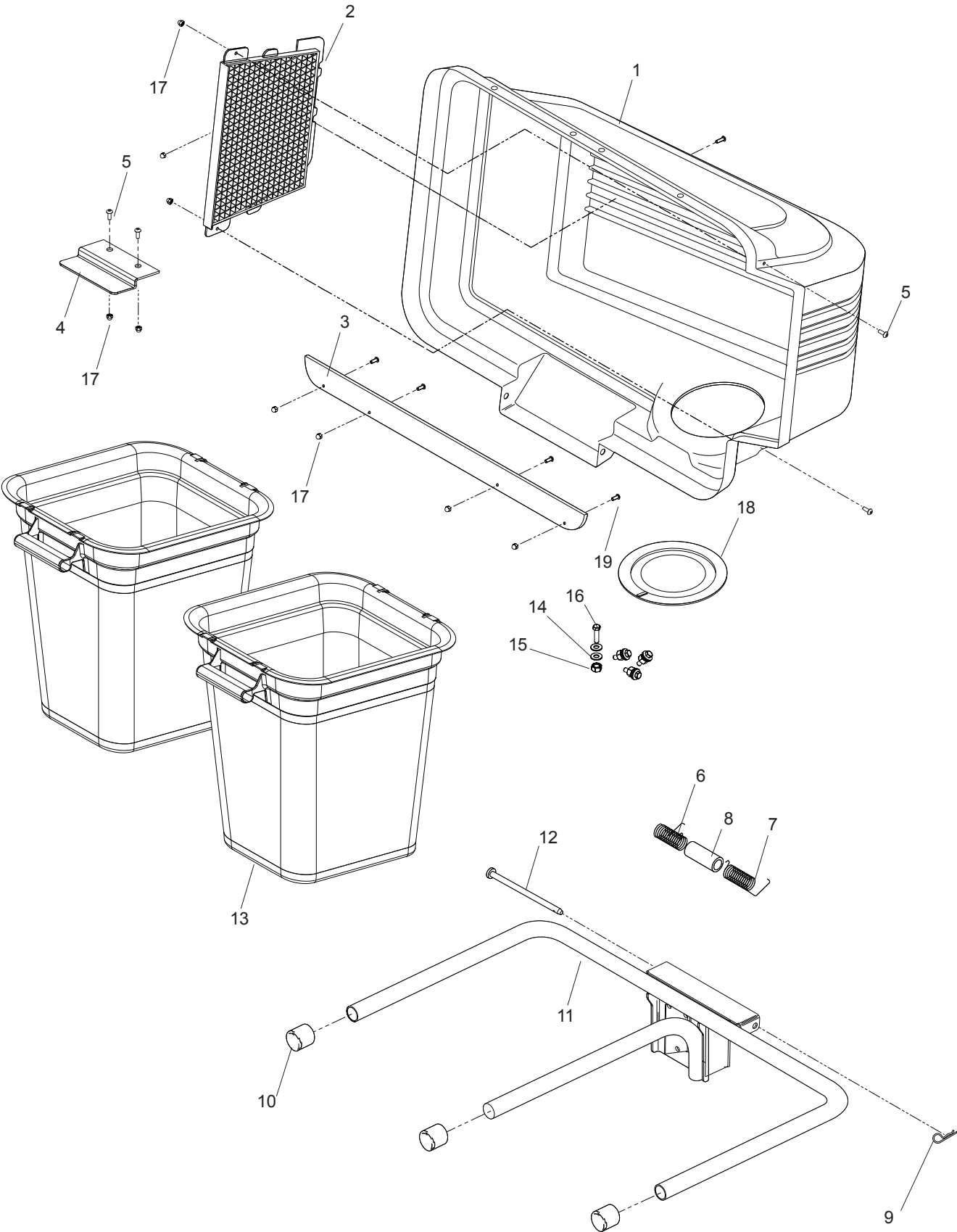
# REPAIR PARTS

---

ITEM	PART NO.	QTY.	DESCRIPTION	ITEM	PART NO.	QTY.	DESCRIPTION
1..	539 101977....	1....	TRACTION SPRING	32..	539 130335....	1....	MOUNT, IDLER, UPPER
2..	539 976952....	1....	SCREW 10-24 x .625 RD	33..	539 130336....	1....	MOUNT, IDLER, LOWER
3..	539 104411....	1....	KNOB W/STUD	34..	539 130337....	1....	ARM, IDLER
4..	539 104763....	1....	RETAINER U TYPE	35..	539 130338....	1....	ARM, TENSION
5..	539 105785....	1....	DECAL, WARNING	36..	539 130205....	1....	BRACKET, MOUNT, FRONT
6..	539 106741....	1....	DECAL, SEVERING	37..	522 949902....	1....	BRACKET, MOUNT, REAR
7..	539 108084....	4....	WASHER $\frac{3}{16}$ x $\frac{3}{4}$ x 16 GA	38..	539 130341....	1....	PLATE, OUTER
8..	539 108088....	1....	LATCH, HOOD	39..	539 130346....	1....	KEEPER
9..	539 108089....	1....	WELD NUT, PLATED	40..	539 200282....	3....	NUT $\frac{3}{8}$ -16 HEX JAM NYLOC
10..	539 108120....	2....	NUT $\frac{1}{4}$ -20 HEX NYLOC	41..	539 919078....	1....	PULLEY, IDLER
11..	539 990717....	9....	NUT $\frac{5}{16}$ -18 HEX NYLOC	42..	539 910935....	1....	WASHER
12..	539 108735....	2....	NUT $\frac{1}{4}$ -20 HEX FLANGE	43..	539 115501....	1....	HAIRPIN COTTER, $\frac{1}{8}$ x $1\frac{3}{4}$
13..	539 109552....	2....	WASHER $\frac{3}{16}$ LOCK	44..	539 990055..	13....	WASHER $\frac{1}{4}$ FLAT SAE
14..	539 110321....	2....	BOLT, HEX $\frac{3}{8}$ -24 x $1\frac{1}{4}$ GR 8	45..	539 990302....	8....	SCREW $\frac{1}{4}$ x $\frac{3}{8}$ THRD FRM
15..	539 110323....	2....	WASHER, HARDENED	46..	539 108461....	3....	HCS $\frac{1}{4}$ -20 x $\frac{1}{2}$
16..	539 113683....	1....	V-IDLER	47..	539 990118....	2....	WASHER $\frac{3}{8}$ SPLT LOCK
17..	539 115667....	1....	KEY $\frac{3}{16}$ x $\frac{1}{2}$	48..	539 990122....	2....	WASHER $\frac{3}{8}$ SAE FLT
18..	539 125229....	1....	KEY $\frac{3}{16}$ x $1\frac{1}{2}$	49..	539 990209....	1....	HCS $\frac{5}{16}$ -18 x 1
19..	539 130292....	1....	IMPELLER	50..	539 990316....	4....	RHSNB $\frac{5}{16}$ -18 x $\frac{3}{4}$
20..	539 130293....	1....	COVER, BELT	51..	539 990643....	2....	HCS $\frac{1}{4}$ -20 x $\frac{7}{8}$
21..	539 130295....	1....	HUB, BEARING	52..	539 990655....	1....	HCS $\frac{3}{8}$ -16 x $1\frac{1}{2}$
22..	539 130296....	2....	BEARING	53..	539 990692....	1....	WASHER $\frac{5}{16}$ STD FLT
23..	539 130301....	2....	BUSHING	54..	539 130349....	1....	DECAL, BELT ROUTING
24..	539 130309....	1....	COVER, OUTER PULLEY	55..	539 131085....	1....	KEEPER, BELT, OUTER
25..	539 130313....	6....	NUT $\frac{5}{16}$ -18 TEE	56..	539 131087....	2....	KEEPER, BELT, REAR
26..	539 130314....	11....	NUT $\frac{1}{4}$ -20 TEE	57..	539 132122....	1....	PLATE, BACKING
27..	539 130315....	6....	HCS $\frac{5}{16}$ -18 x $\frac{1}{2}$	58..	539 132124....	1....	PLATE, BACKING
28..	539 130316....	1....	SHAFT, IMPELLER	59..	539 990208....	4....	RHSNB $\frac{5}{16}$ -18 x 1
29..	539 116225....	1....	PIN	60..	539 990645....	1....	RHSNB $\frac{3}{8}$ -16 x 1
30..	539 130323....	1....	SPACER	61..	539 130344....	1....	HOUSING w/DECALS
31..	539 130324....	1....	PULLEY	62..	510 116501....	1....	SPACER, BELT RETAINER

NOTE: ALL FASTENERS ARE GRADE 5 UNLESS OTHERWISE SPECIFIED.

# REPAIR PARTS



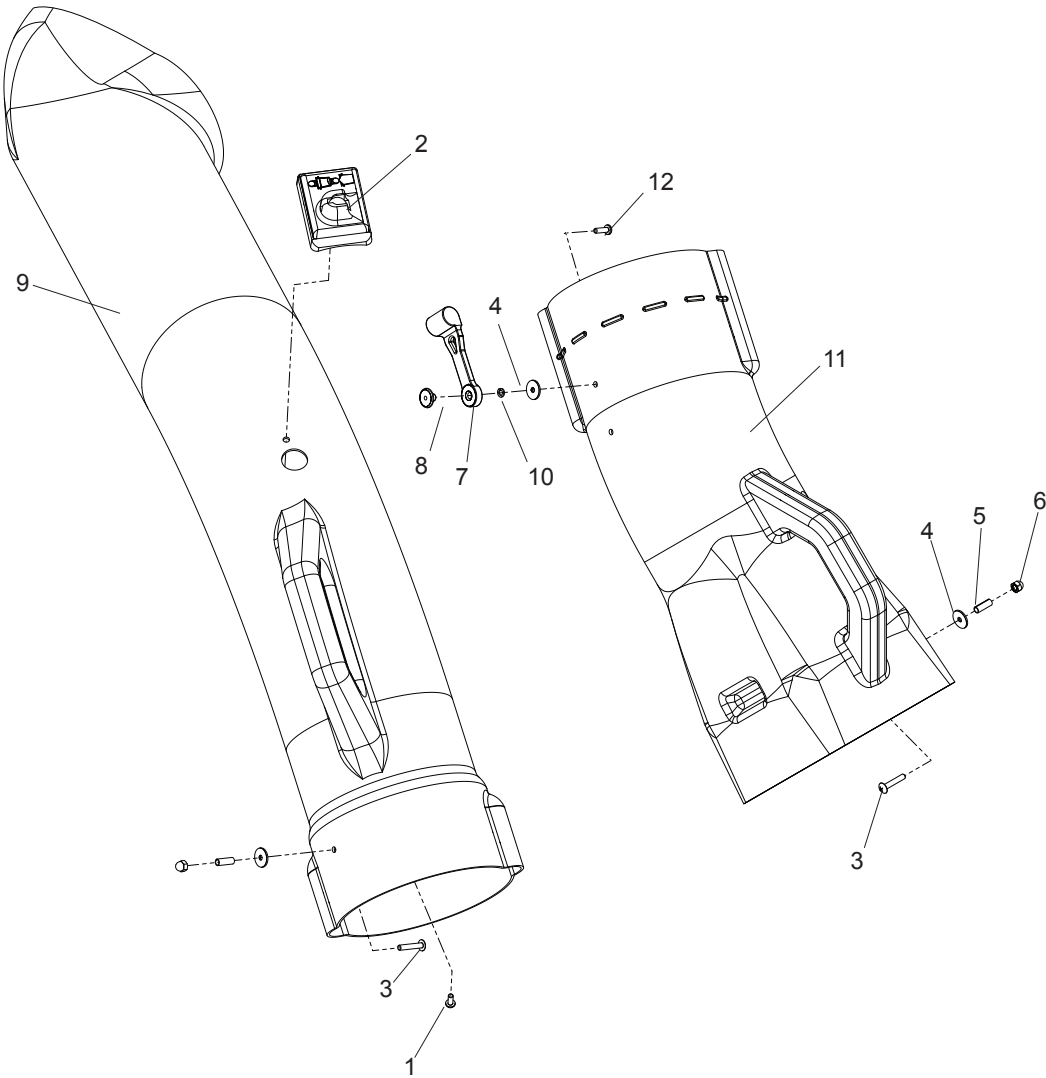
# REPAIR PARTS

---

ITEM	PART NO.	QTY.	DESCRIPTION	ITEM	PART NO.	QTY.	DESCRIPTION
1..	539 111139	.... 1....	COVER ASSM, COMPLETE	11..	532 179746	.... 1....	BAGGER, FRAME
2..	532 127533	.... 1....	SCREEN, COVER	12..	532 192786	.... 1....	PIN, HINGE
3..	532 155042	.... 1....	STRIP, REINFORCEMENT	13..	532 400226	.... 2....	CONTAINER, SOFT BAG
4..	532 130895	.... 1....	LATCH HANDLE, COVER	14..	539 105408	.... 8....	WASHER #10 FLAT
5..	539 976952	.... 5....	SCREW #10-24 x <sup>5</sup> / <sub>8</sub>	15..	539 976977	.... 4....	NUT #10-24 HEX NYLOC
6..	532 132796	.... 1....	SPRING, COVER, LH	16..	539 106312	.... 4....	HMS #10-24 x <sup>3</sup> / <sub>4</sub>
7..	532 132983	.... 1....	SPRING, COVER RH	17..	539 108086	.... 9....	NUT #10-24 ACORN
8..	532 133235	.... 1....	SPACER, COVER	18..	532 127534	.... 1....	GASKET
9..	539 108096	.... 1....	SPRING, RETAINER	19..	539 108081	.... 4....	SCREW #10-24 x <sup>1</sup> / <sub>2</sub>
10..	539 108097	.... 3....	CAP, TUBING END				

NOTE: ALL FASTENERS ARE GRADE 5 UNLESS OTHERWISE SPECIFIED.

# REPAIR PARTS



# REPAIR PARTS

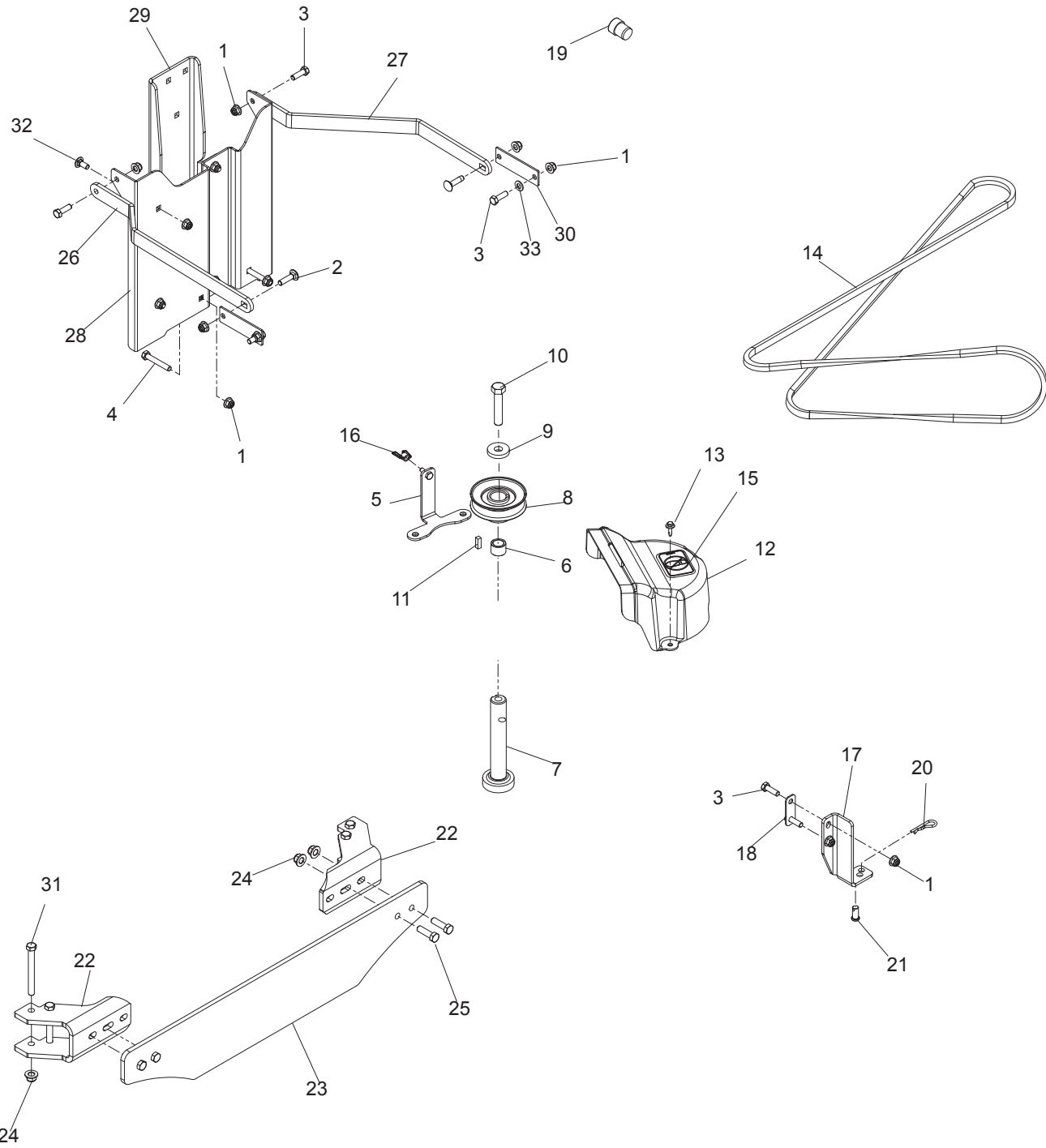
---

ITEM	PART NO.	QTY.	DESCRIPTION	ITEM	PART NO.	QTY.	DESCRIPTION
1..	539 108081....	1....	SCREW, SPEC 10-14 x ½	7..	539 108088....	1....	LATCH, HOOD
2..	539 108082....	1....	INDICATOR, BAG DUMP	8..	539 108089....	1....	WELD NUT, PLATED
3..	539 108083....	2....	SCREW 10-24 x 1 <sup>1</sup> / <sub>8</sub>	9..	522 739201....	1....	CHUTE, UPPER
4..	539 108084....	3....	WASHER <sup>3</sup> / <sub>16</sub> x <sup>3</sup> / <sub>4</sub> x 16 GA	10..	539 109552....	2....	WASHER <sup>3</sup> / <sub>16</sub> LOCK
5..	539 108085....	2....	SPACER, SPLIT	11..	539 130294....	1....	CHUTE, MIDDLE
6..	539 108086....	2....	NUT, ACORN 10-24	12..	539 976952....	1....	SCREW 10-24 x .625 MACH

NOTE: ALL FASTENERS ARE GRADE 5 UNLESS OTHERWISE SPECIFIED.



# REPAIR PARTS



# REPAIR PARTS

---

ITEM	PART NO.	QTY.	DESCRIPTION	ITEM	PART NO.	QTY.	DESCRIPTION
1..	539 112899..	14....	NUT <sup>5</sup> / <sub>16</sub> -18, FLANGE NYLOC	19..	522 801301....	1....	SPACER PLUG, BAGGER
2..	539 100472....	2....	RHSNB <sup>5</sup> / <sub>16</sub> -18 x 1 <sup>1</sup> / <sub>4</sub>	20..	539 108096....	1....	SPRING RETAINER
3..	539 990209....	6....	HCS <sup>5</sup> / <sub>16</sub> -18 x 1	21..	539 107697....	1....	CLEVIS PIN
4..	539 976937....	2....	HCS <sup>5</sup> / <sub>16</sub> -18 x 2	22..	522 923202....	2....	BRACKET, WEIGHT
5..	539 133040....	1....	STANDOFF, BELT SHIELD	23..	539 113232....	1....	WEIGHT PLATE
6..	522 956401....	1....	SPACER, DRIVE PULLEY	24..	521 996501....	8....	NUT <sup>3</sup> / <sub>8</sub> -16, FLG NYLOC
7..	539 121105....	1....	SHAFT	25..	539 976941....	4....	HCS <sup>3</sup> / <sub>8</sub> -16 x 1 <sup>1</sup> / <sub>4</sub>
8..	522 956501....	1....	PULLEY	26..	522 854402....	1....	STRAP, SUPPORT, RT
9..	539 115636....	1....	WASHER <sup>1</sup> / <sub>2</sub>	27..	522 854502....	1....	STRAP, SUPPORT, LT
10..	539 133070....	1....	HCS <sup>1</sup> / <sub>2</sub> -20 x 2 <sup>1</sup> / <sub>2</sub>	28..	522 854602....	1....	MOUNT, 2 BIN COLLECT
11..	539 116196....	1....	OUTER SHAFT KEY	29..	522 854702....	1....	BRACKET, COLLECTION
12..	525 399301....	1....	SHIELD, BELT	30..	523 112802....	2....	PLATE REINFORCEMENT
13..	539 115643....	1....	SCREW #12-14 x <sup>3</sup> / <sub>4</sub> SLF TAP	31..	539 408271....	4....	HCS <sup>3</sup> / <sub>8</sub> -16 x 3 <sup>1</sup> / <sub>2</sub>
14..	539 128512....	1....	BELT	32..	539 990316....	4....	RHSNB <sup>5</sup> / <sub>16</sub> -18 x <sup>3</sup> / <sub>4</sub>
15..	539 105743....	1....	DECAL, NO STEP	33..	539 990188....	2....	WASHER <sup>5</sup> / <sub>16</sub> SAE
16..	539 990997....	1....	WINGNUT <sup>1</sup> / <sub>4</sub> -20, NYLOC	NOT SHOWN:			
17..	522 860702....	1....	BRACKET, HOLD DOWN		965 610901 ...	1....	KIT, SEAL FASTENING
18..	522 674502....	1....	PLATE, BACK UP				

NOTE: ALL FASTENERS ARE GRADE 5 UNLESS OTHERWISE SPECIFIED.

