



SERVICE PARTS LIST

BULLETIN NO.
54-02-1231

SPECIFY CATALOG NO. AND SERIAL NO. WHEN ORDERING PARTS		REVISED BULLETIN	DATE
2 TON TROLLEY			Dec. '96
CATALOG NO.	9641	WIRING INSTRUCTION	
DATE CODE	197		

00 0

EXAMPLE:
Component Parts (Small #) Are Included
When Ordering The Assembly (Large #).

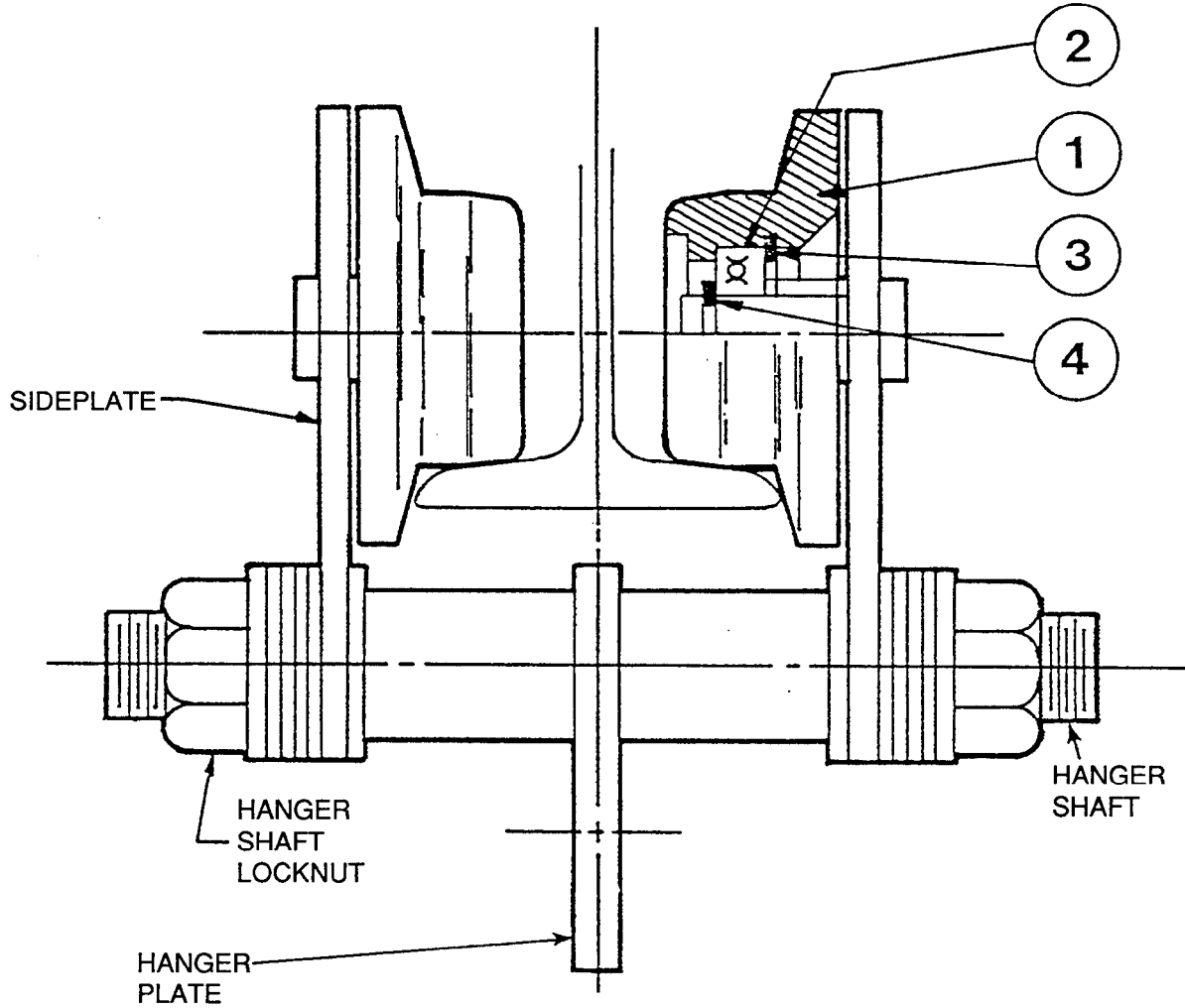


FIG.	PART NO.	DESCRIPTION OF PART	NO. REQ.
1	45-94-0270	Wheel	(4)
2	02-04-2600	Ball Bearing	(4)
3	34-80-3600	Retaining Ring	(4)
4	34-60-1875	Retaining Ring	(4)