



# SERVICE PARTS LIST

BULLETIN NO.  
54-02-1221

SPECIFY CATALOG NO. AND SERIAL NO. WHEN ORDERING PARTS		REVISED BULLETIN	DATE
<b>1 TON TROLLEY</b>			Dec. '96
CATALOG NO.	9621	DATE CODE	197
WIRING INSTRUCTION			

00 0

EXAMPLE:  
Component Parts (Small #) Are Included  
When Ordering The Assembly (Large #).

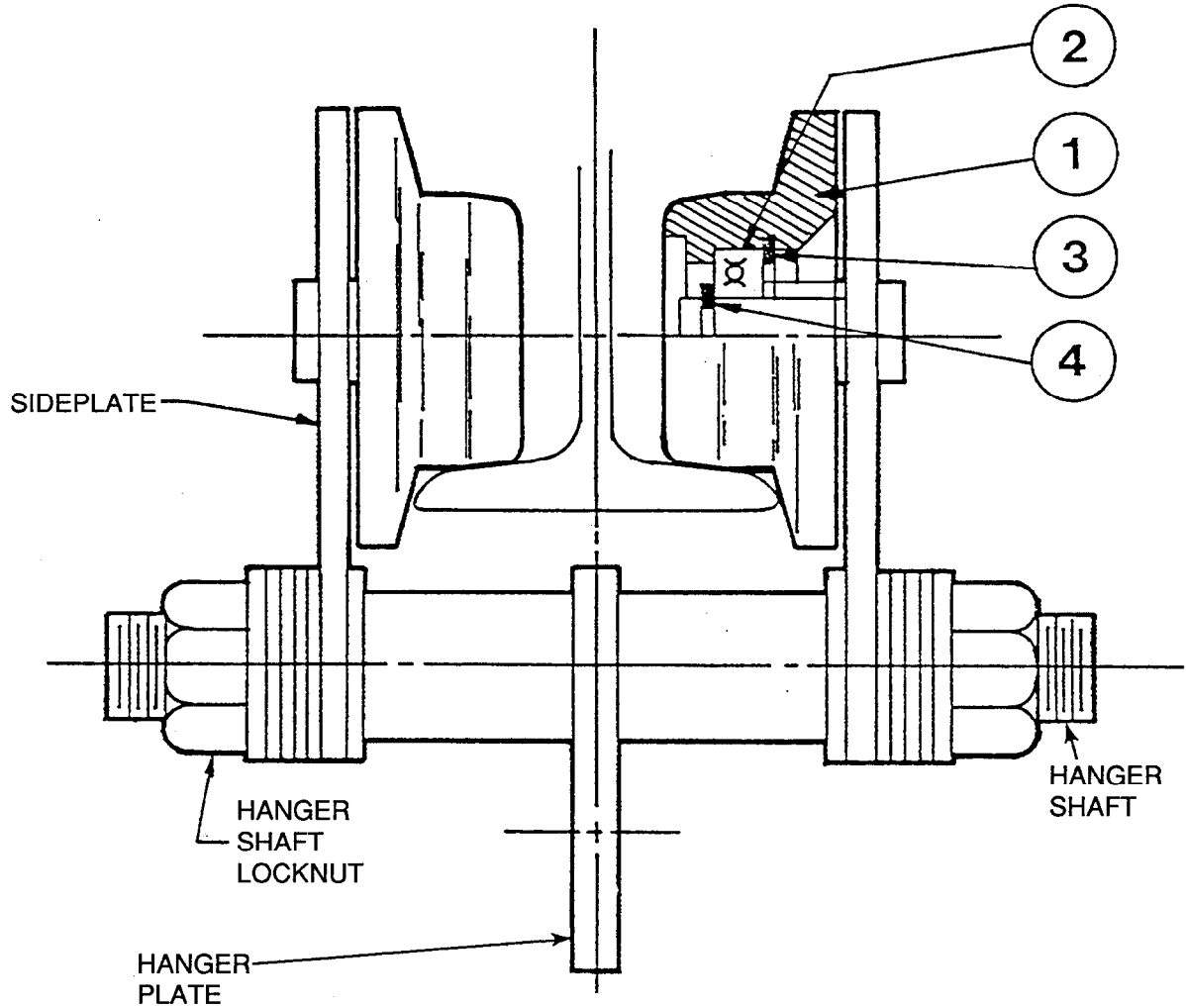


FIG.	PART NO.	DESCRIPTION OF PART	NO. REQ.
1	45-94-0265	Wheel	(4)
2	02-04-1720	Ball Bearing	(4)
3	34-80-2950	Retaining Ring	(4)
4	34-60-1250	Retaining Ring	(4)