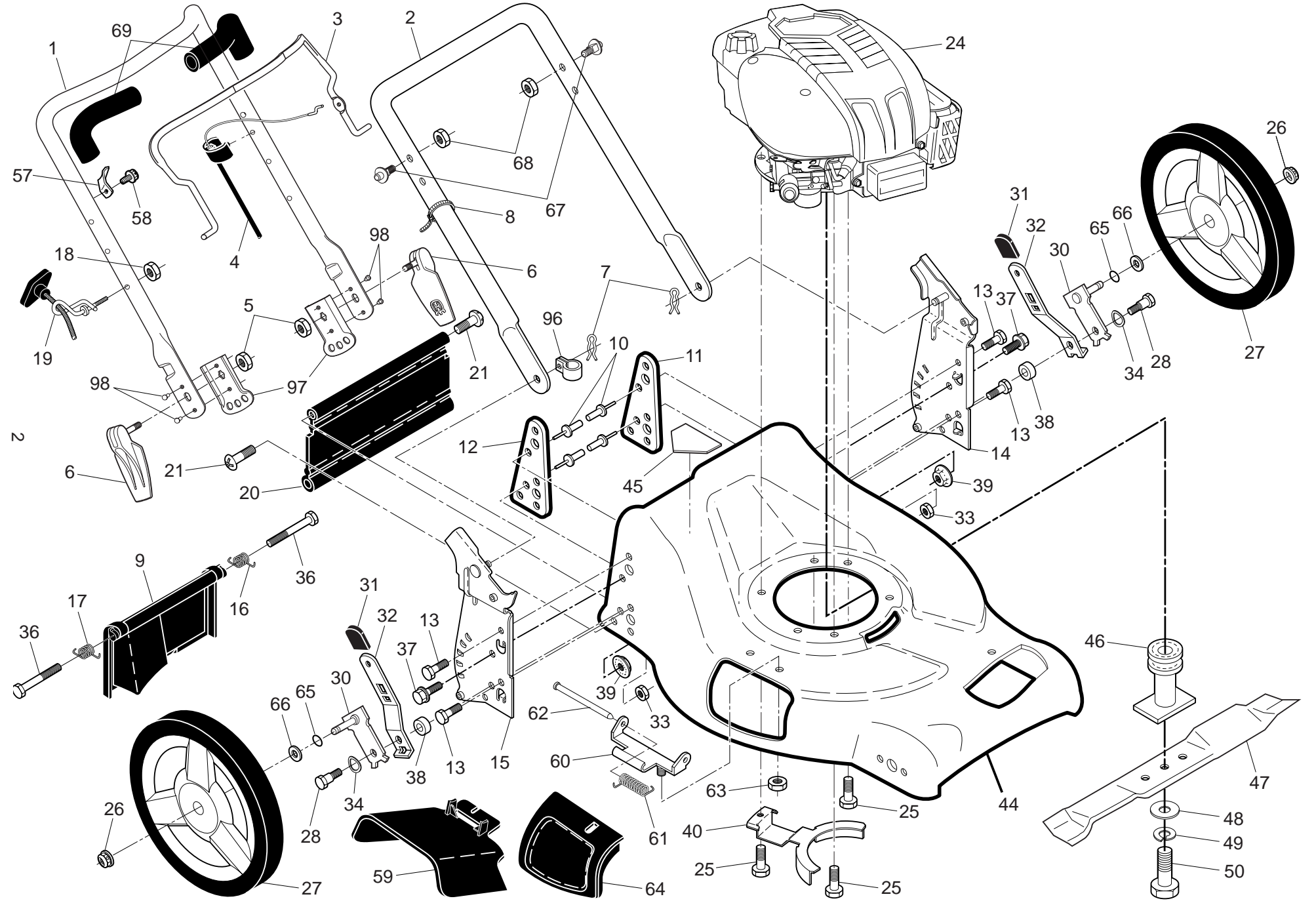


ROTARY LAWN MOWER - - MODEL NUMBER 96143005400 - PRODUCT NUMBER 961 43 00-54



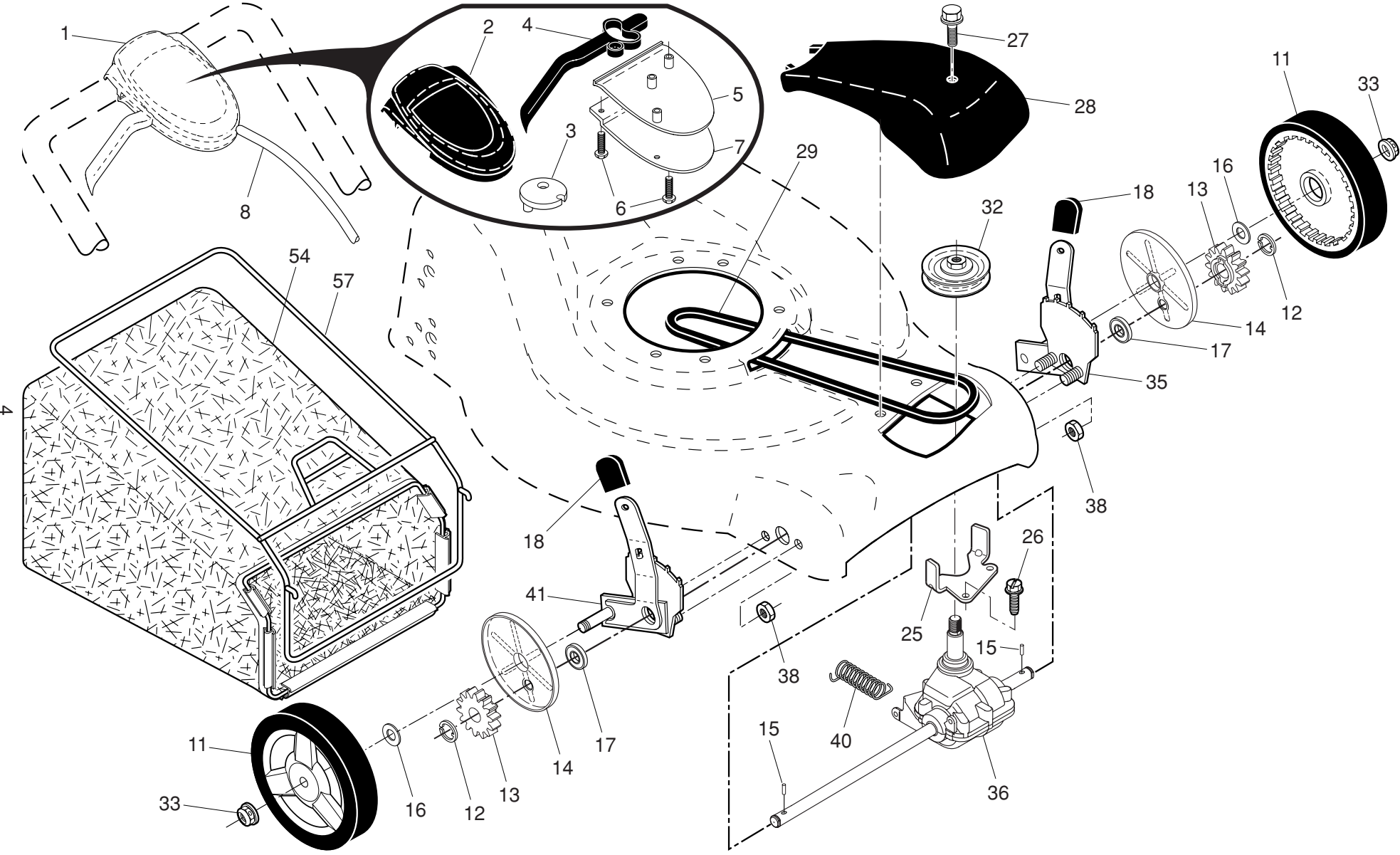
ROTARY LAWN MOWER - - MODEL NUMBER 96143005400 - PRODUCT NUMBER 961 43 00-54

KEY NO.	PART NO.	DESCRIPTION	KEY NO.	PART NO.	DESCRIPTION
1	532 42 05-77	Upper Handle (Includes Foam Grip)	34	532 40 16-30	Washer, Curved, Cylindrical
2	532 42 04-91	Lower Handle	36	532 18 41-93	Bolt
3	532 42 68-12	Control Bar	37	874 78 05-12	Thread Cutting Screw w/Sems 5/16-18 x 3/4
4	532 41 53-50	Engine Zone Control Cable	38	532 40 16-29	Spacer
5	532 19 17-30	Locknut, Hex 1/4-20	39	532 15 53-77	Nut, Hex, Flanged 5/16-18
6	532 41 66-68	Handle Knob Assembly, Quick-Release	40	532 42 57-11	Belt Keeper
7	532 05 17-93	Hairpin Cotter	44	532 40 89-89	Lawn Mower Housing (Includes Key Numbers 10, 11, 12 and 45)
8	532 06 64-26	Wire Tie	45	532 40 47-63	Danger Decal
9	532 40 69-85	Rear Door Assembly	46	532 19 77-52	Blade Adapter / Pulley
10	532 12 84-15	Pop Rivet	47	532 40 67-12	Blade 21"
11	532 41 05-40	Support Bracket, LH	48	532 85 10-74	Hardened Washer
12	532 41 05-42	Support Bracket, RH	49	532 85 02-63	Helical Washer 3/8-24 x 1-3/8 Grade 8
13	817 06 04-10	Screw 1/4-20 x 5/8	50	532 85 10-84	Hex Head Machine Screw 3/8-24 x 1-3/8 Grade 8
14	532 41 78-12	Handle Bracket Assembly, LH	57	532 12 52-03	Upstop Bracket
15	532 41 78-11	Handle Bracket Assembly, RH	58	532 75 06-34	Screw
16	532 40 54-17	Spring, Rear Door, LH	59	532 18 55-82	Discharge Deflector
17	532 40 54-18	Spring, Rear Door, RH	60	532 17 57-35	Hinge Bracket Assembly
18	532 13 20-04	Locknut, Hex 1/4-20	61	532 19 30-00	Spring, Hinge
19	532 19 47-88	Rope Guide	62	532 17 56-50	Rod, Hinge
20	532 41 31-59	Rear Skirt	63	873 80 04-00	Locknut, Hex 1/4-20
21	532 08 86-52	Screw, Hinge 1/4-20 x 1-1/2	64	532 18 55-76	Mulcher Door
24	- - -	Engine, Briggs & Stratton, Model Number 12S502-1088-B1 (For engine service and replacement parts, call Briggs & Stratton at 1-800-233-3723)	65	532 19 74-80	O-Ring
25	532 15 04-06	Hex Head Thread Rolling Screw 3/8-16 x 1-1/8	66	532 08 83-48	Washer, Flat
26	532 40 91-49	Hex Flange Nut	67	532 19 92-55	Stud
27	532 41 08-15	Wheel & Tire Assembly, Rear, 12"	68	532 75 11-53	Nut, Hex 1/4-20
28	532 40 16-38	Shoulder Bolt 5/16-18 x .33	69	532 18 27-48	Grip, Foam
30	532 41 31-41	Axle Arm Assembly, Rear	96	532 19 79-91	Clip, Cable
31	532 70 10-37	Selector Knob	97	532 41 35-34	Bracket, Quick-Release
32	532 40 98-89	Selector Spring	98	532 19 96-97	Rivet
33	873 80 05-00	Nut, Hex 5/16-18	--	532 40 47-64	Decal, Warning (not shown)
			--	532 42 99-61	Owner's Manual, English / French

NOTE: All component dimensions given in U.S. inches. 1 inch = 25.4 mm

IMPORTANT: Use only Original Equipment Manufacturer (O.E.M.) replacement parts. Failure to do so could be hazardous, damage your lawn mower and void your warranty.

ROTARY LAWN MOWER - - MODEL NUMBER 96143005400 - PRODUCT NUMBER 961 43 00-54



ROTARY LAWN MOWER - - MODEL NUMBER 96143005400 - PRODUCT NUMBER 961 43 00-54

KEY NO.	PART NO.	DESCRIPTION	KEY NO.	PART NO.	DESCRIPTION
1	532 42 56-61	Drive Control Assembly	25	532 41 16-63	Belt Keeper
2	532 41 16-73	Cover, Drive Control, Upper	26	532 16 34-09	Screw, Hi-Lo Thread #12 x 5/8
3	532 40 62-62	Pulley	27	532 17 52-62	Pan Head Tapping Screw #10-24 x 2-3/4
4	532 19 00-37	Lever, Drive Control	28	532 18 55-79	Cover, Drive
5	532 41 16-64	Cover, Drive Control, Lower	29	532 19 41-49	V-Belt
6	532 18 16-98	Screw	32	532 19 40-18	Pulley, Drive
7	532 40 07-23	Mounting Bracket, Drive Control	33	532 40 91-48	Locknut, Hex
9	532 40 62-59	Cable, Drive Control	35	532 42 42-01	Kit, Wheel Adjuster, LH (Includes Knob and Bearing)
11	532 41 10-81	Wheel & Tire Assembly	36	532 40 48-33	Gear Case Assembly, Complete
12	812 00 00-58	E-Ring	38	873 80 04-00	Locknut 1/4-20
13	532 40 38-49	Pinion	40	532 40 65-58	Spring
14	532 18 94-03	Dust Cover	41	532 42 42-00	Kit, Wheel Adjuster, RH (Includes Knob and Bearing)
15	532 40 48-45	Pawl, Drive	54	532 40 19-03	Grassbag Assembly
16	532 06 77-25	Washer 1/2 x 1-1/2 x .134	57	532 41 19-50	Frame, Grassbag
17	532 19 10-39	Bearing, Wheel Adjuster			
18	532 70 10-37	Selector Knob			

NOTE: All component dimensions given in U.S. inches. 1 inch = 25.4 mm

IMPORTANT: Use only Original Equipment Manufacturer (O.E.M.) replacement parts. Failure to do so could be hazardous, damage your lawn mower and void your warranty.