



SANDER GRINDER (6000RPM)

7" (180MM) DISC GRINDER (8000RPM)

7" (180MM) DISC GRINDER (6000RPM)

9" (230MM) DISC GRINDER (6000RPM)

MODEL 9000BL

MODEL 9607B

MODEL 9607BL

MODEL 9609B

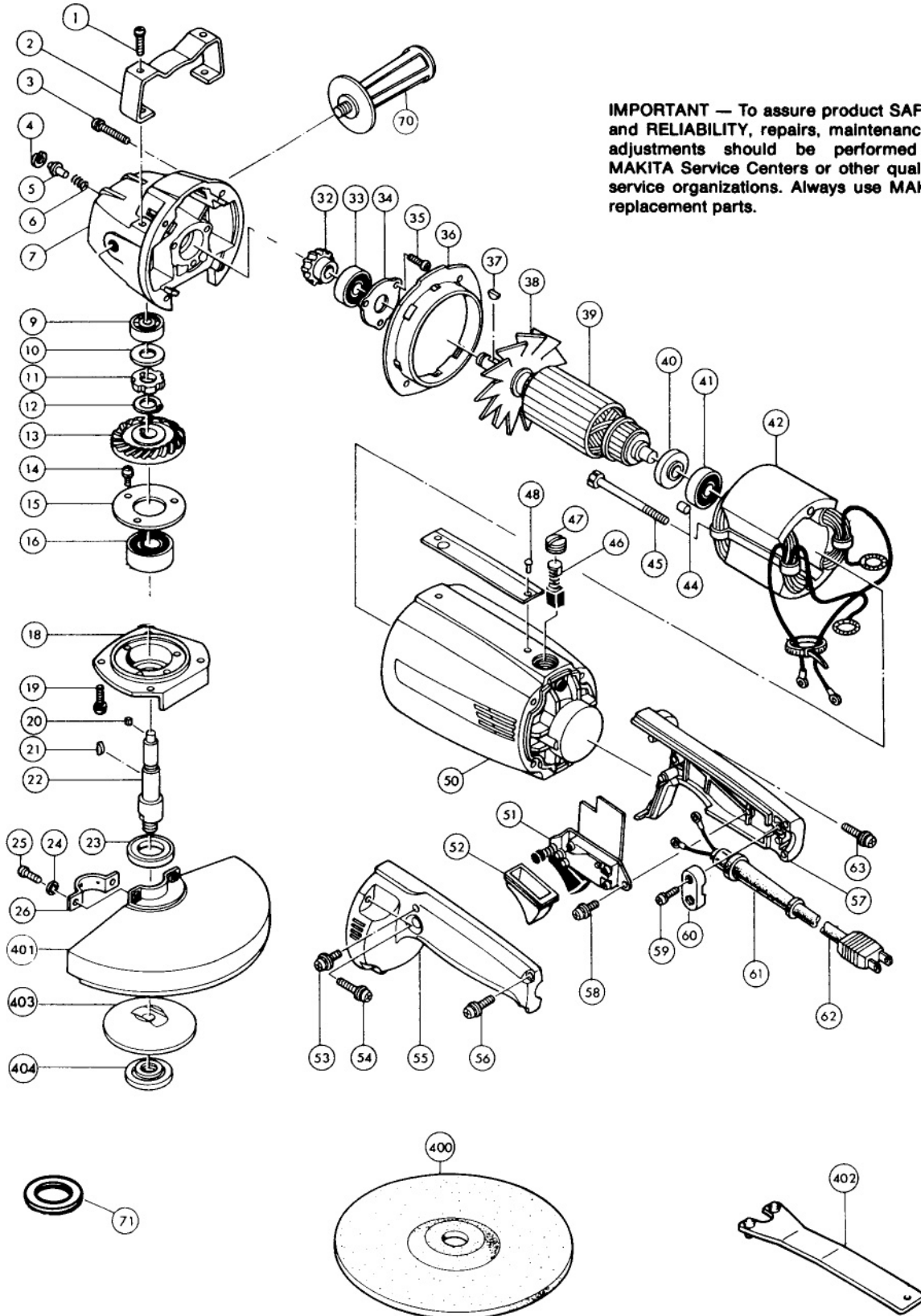
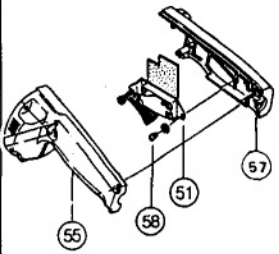
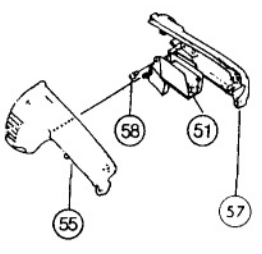
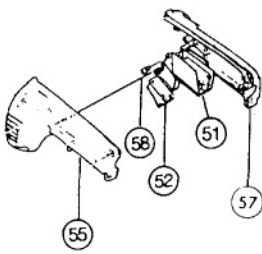
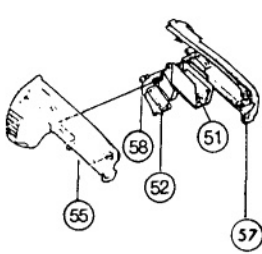


Fig.	Part No.	Qty. Used	Description	Fig.	Part No.	Qty. Used	Description
1	911321-4	2	PAN HEAD SCREW M6X16	40	681623-9	1	INSULATION WASHER
2	345135-3	1	TOOL REST	41	211068-3	1	BALL BEARING 6200LB
3	911241-2	4	PAN HEAD SCREW M5X25	42	624312-3	1	FIELD ASS'Y (INCL. GARTER SPRING 654020-2)
4	**	1	RETAINING RING R-12	44	263002-9	1	RUBBER PIN 4
5	**	1	PIN 6	45	911938-3	2	PAN HEAD SCREW M5X85
6	**	1	COMPRESSION SPRING 7	46	181047-4	1	CARBON BRUSH 154
7	**	1	GEAR HOUSING (WITH RING 257056-6)	47	643650-4	2	BRUSH HOLDER CAP
9	211058-6	1	BALL BEARING 629LB	48	953106-2	2	RIVET 0-5
10	**	1	FLAT WASHER 9	50	156529-5	1	MOTOR HOUSING (INCL. BRUSH HOLDER #643653-8, SET SCREW #913206-0)
11	**	1	SPINDLE LOCK BUSH	51	•	1	SWITCH
12	961057-5	1	RETAINING RING S-17	52	*	1	DUST COVER
13	221170-4	1	SPIRAL BEVEL GEAR (9607B)	53	911148-2	1	PAN HEAD SCREW M4X25
	***	1	SPIRAL BEVEL GEAR (9000BL, 9607BL, 9609B)	54	911353-1	2	PAN HEAD SCREW M6X30
14	911211-1	3	PAN HEAD SCREW M5X12	55	•	1	HANDLE (L)
15	285622-9	1	BEARING RETAINER 48	56	911148-2	2	PAN HEAD SCREW M4X25
16	211256-2	1	BALL BEARING 6203LLB	57	•	1	HANDLE (R)
18	****	1	BEARING BOX	58	*	2	PAN HEAD SCREW M4X10
19	911226-8	4	PAN HEAD SCREW M5X18	59	911136-9	2	PAN HEAD SCREW M4X20
20	**	1	PIN 6	60	687001-1	1	STRAIN RELIEF
21	254001-2	1	WOODRUFF KEY 4	61	682505-8	1	CORD GUARD
22	325301-8	1	SPINDLE	62	664463-0	1	POWER SUPPLY CORD
23	213357-2	1	DUST SEAL 25	63	911353-1	2	PAN HEAD SCREW M6X30
24	942101-7	1	SPRING WASHER 5	70	152492-0	1	SIDE HANDLE 37
25	251259-4	2	PAN HEAD SCREW M5X16	71	261039-0	1	SPINDLE WASHER (USE WITH WIRE BRUSH)
26	342114-2	1	WHEEL COVER HOLDER				
27	****	3	SCREW M5X14				
32	221169-9	1	SPIRAL BEVEL GEAR (9607B)				
	***	1	SPIRAL BEVEL GEAR (9000BL, 9607BL, 9609B)				
33	211106-1	1	BALL BEARING 6201LLB				
34	**	1	BEARING RETAINER 40				
35	**	3	PAN HEAD SCREW M5X14				
36	343304-0	1	BAFFLE PLATE				
37	254001-2	1	WOODRUFF KEY 4				
38	241311-6	1	FAN 92				
39	614351-1	1	ARMATURE ASS'Y (INCL. FIG. 38-41)				
				ACCESSORIES			
				400	741413-3	1	7" GRINDING WHEEL
				401	****	1	WHEEL COVER (INCL FIG. 24-26)
				402	782412-6	1	LOCK NUT WRENCH
				403	224111-9	1	INNER FLANGE
				404	224512-1	1	LOCK NUT

2 MODEL 9000BL
9607B
9607BL
9609B

*SEE SERVICE CHANGE 1
**SEE SERVICE CHANGE 2
***SEE SERVICE CHANGE 3
****SEE SERVICE CHANGE 4

1. Changes on Handle & Switch

Fig. No.	Description	Type 1	Type 2	Type 3	Type 4
					
		AC Switch	AC/DC Switch	AC/DC Switch with Dust Cover	AC/DC Switch with Dust Cover plus rubber cap for lock on switch
51	Switch	Part #651008-3 (AC)	Part #651112-8 (AC/DC)		
52	Dust Cover	-----			Part #421279-4
55	Handle (L)	Part #411419-2 (*)	Part #411348-9 (*)	Part #411348-9A (*)	Part #181940-2
57	Handle (R)	Part #411420-7 (*)	Part #411347-1 (*)	Part #411347-1A (*)	
58	Screw	Part #911101-8 M4x6	Part #911111-5 M4x10	Part #911113-1 M4X10	

The above parts are completely interchangeable as a set.

* These parts are no longer available.

2. Changes on Housing & Spindle Lock

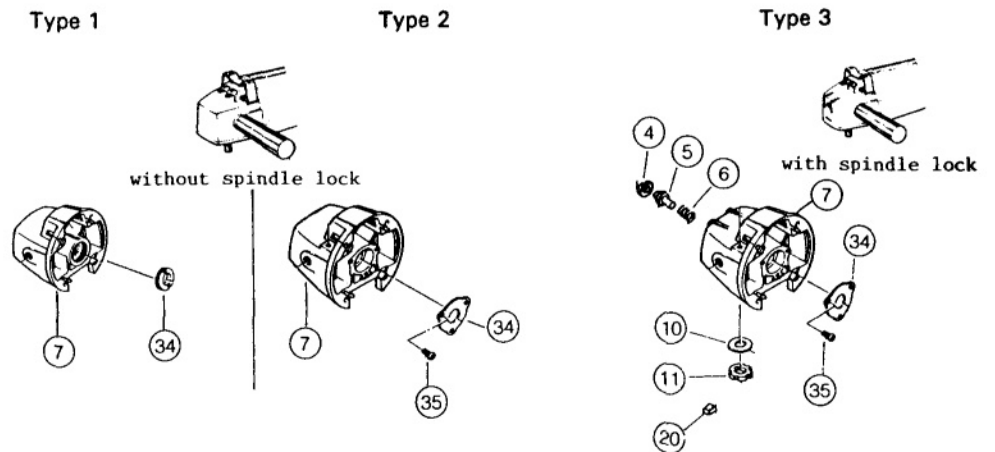
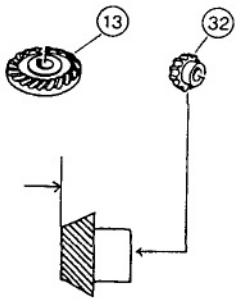
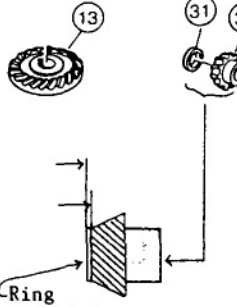
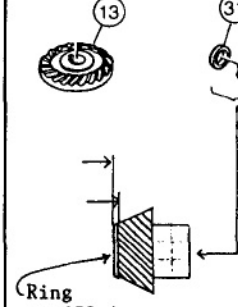
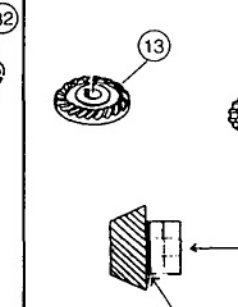


Fig. No.	Description	Type 1	Type 2	Type 3
4	Ring	-----	-----	Part #962062-5
5	Pin	-----	-----	Part #256615-3
6	Spring	-----	-----	Part #231037-8
7	Gear Housing	Part #312567-6 (Discont'd)	Part #312567-9 (Discont'd)	Part #156426-5
10	Washer	-----	-----	Part #253214-2
11	Bush	-----	-----	Part #325051-5
20	Pin	-----	-----	Part #256047-4
34	Retainer	Part #285804-3	Part #285641-5	
35	Screw	-----	Part #911216-1	

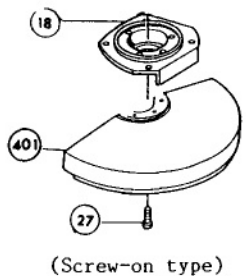
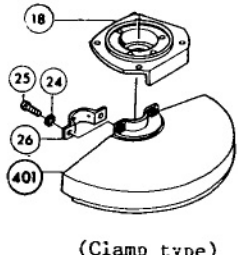
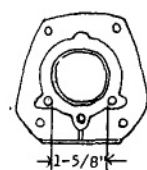
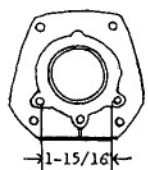
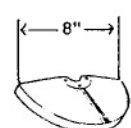
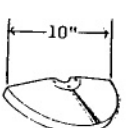
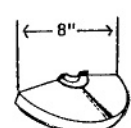
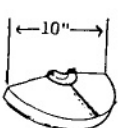
The above parts are completely interchangeable as a set.

3. Changes on Gears.

Fig. No.	Description	Type 1	Type 2	Type 3	Type 4
					
13	Gear	Part #221302-3 (54 teeth) (Discontinued)		Part #221316-2 (Discontinued)	Part #221321-9 (58 teeth)
31	Ring	Part #257052-4			
32	Gear	Part #221301-1 (17 teeth) (Discontinued)	Part #221301-5 (17 teeth) (Discontinued)	Part #221315-4 (19 teeth) (Discontinued)	Part #221320-1 (19 teeth)

The above parts are completely interchangeable as a set.

4. Changes on Wheel Cover.

Fig. No.	Description	Type 1		Type 2	
					
		For 9607B, 9607BL	For 9609B	For 9607B, 9607BL, 9009B	
18	Bearing Box			Part #312787-5	
		Part #312568-7	Part #312715-0		
27	Screw	Part #911216-1			
		For 7" Wheel	For 9" Wheel	For 7" Wheel	For 9" Wheel
401	Wheel Cover				
		Part #343150-1	Part #343107-2	Part #191214-3	Part #191215-1

The above parts are completely interchangeable as a set.