



SANDER GRINDER (6000RPM)

7" (180MM) DISC GRINDER (8000RPM)

7" (180MM) DISC GRINDER (6000RPM)

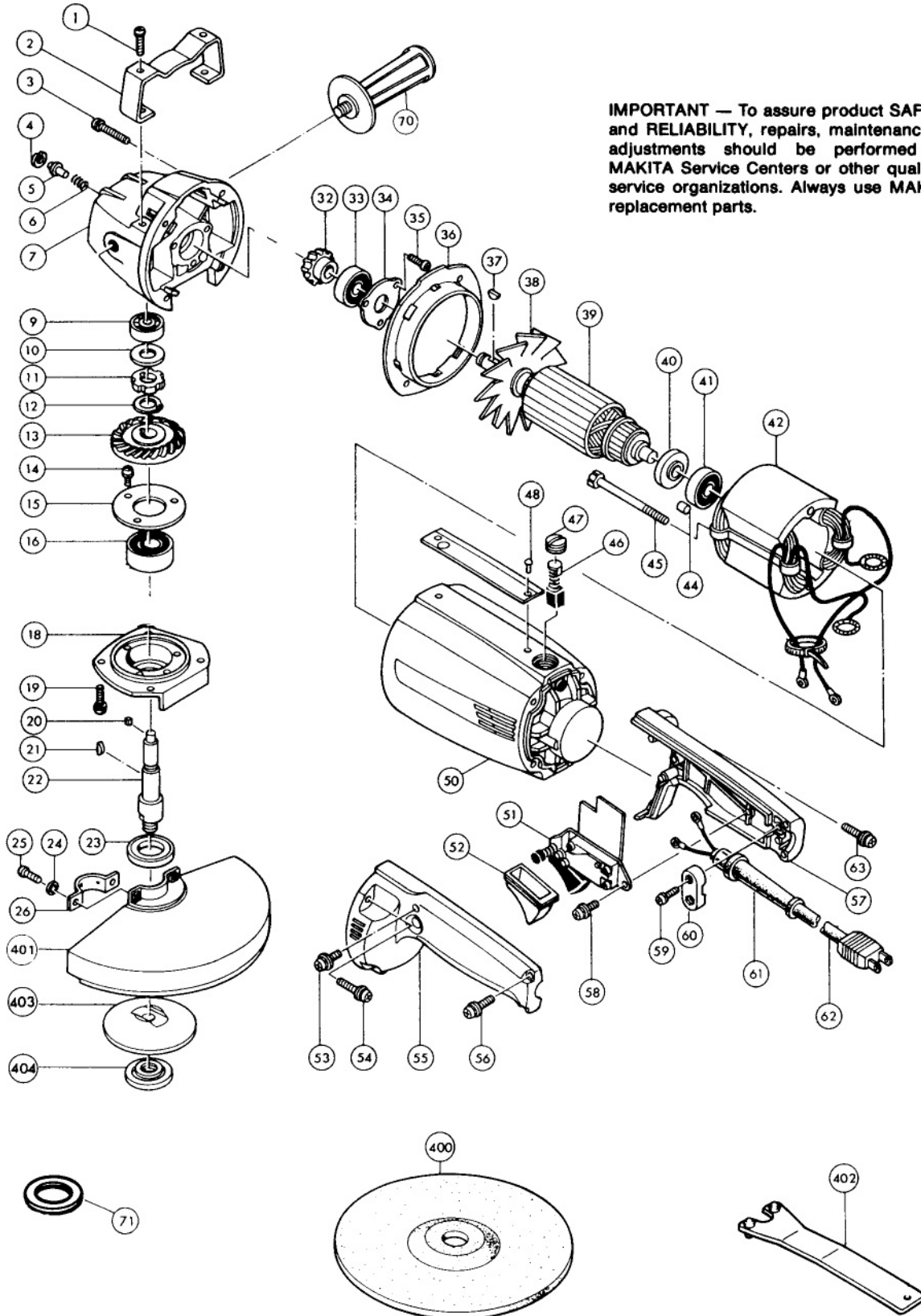
9" (230MM) DISC GRINDER (6000RPM)

MODEL 9000BL

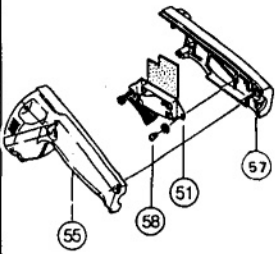
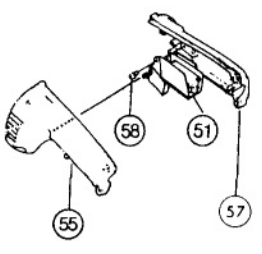
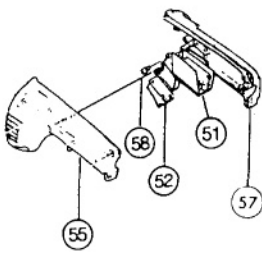
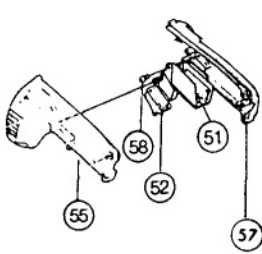
MODEL 9607B

MODEL 9607BL

MODEL 9609B



1. Changes on Handle & Switch

Fig. No.	Description	Type 1	Type 2	Type 3	Type 4
					
		AC Switch	AC/DC Switch	AC/DC Switch with Dust Cover	AC/DC Switch with Dust Cover plus rubber cap for lock on switch
51	Switch	Part #651008-3 (AC)	Part #651112-8 (AC/DC)		
52	Dust Cover	-----			Part #421279-4
55	Handle (L)	Part #411419-2 (*)	Part #411348-9 (*)	Part #411348-9A (*)	Part #181940-2
57	Handle (R)	Part #411420-7 (*)	Part #411347-1 (*)	Part #411347-1A (*)	
58	Screw	Part #911101-8 M4x6	Part #911111-5 M4x10	Part #911113-1 M4X10	

The above parts are completely interchangeable as a set.

* These parts are no longer available.

2. Changes on Housing & Spindle Lock

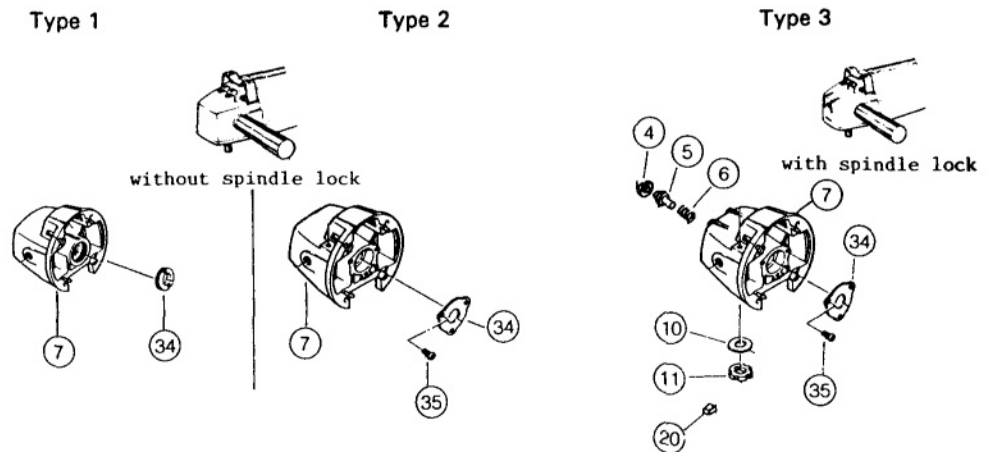
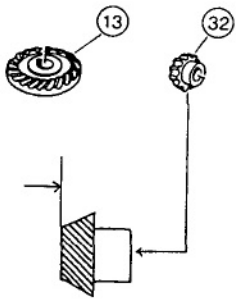
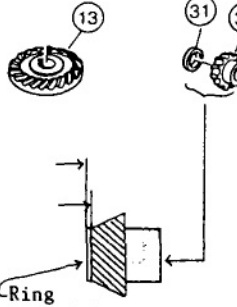
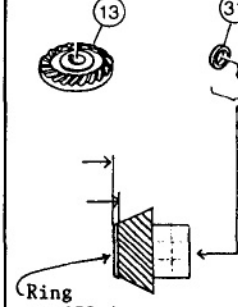
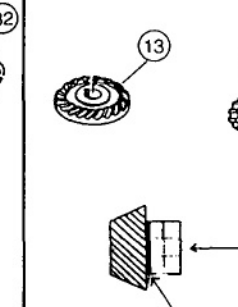


Fig. No.	Description	Type 1	Type 2	Type 3
4	Ring	-----	-----	Part #962062-5
5	Pin	-----	-----	Part #256615-3
6	Spring	-----	-----	Part #231037-8
7	Gear Housing	Part #312567-6 (Discont'd)	Part #312567-9 (Discont'd)	Part #156426-5
10	Washer	-----	-----	Part #253214-2
11	Bush	-----	-----	Part #325051-5
20	Pin	-----	-----	Part #256047-4
34	Retainer	Part #285804-3	Part #285641-5	
35	Screw	-----	Part #911216-1	

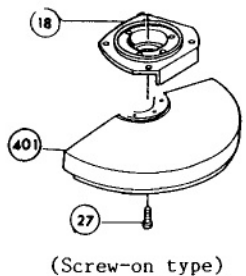
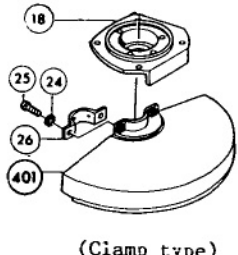
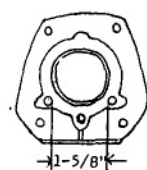
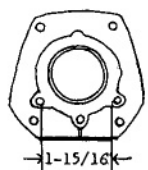
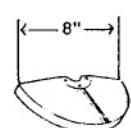
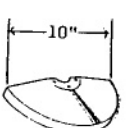
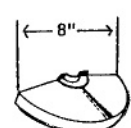
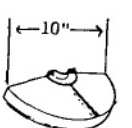
The above parts are completely interchangeable as a set.

3. Changes on Gears.

Fig. No.	Description	Type 1	Type 2	Type 3	Type 4
					
13	Gear	Part #221302-3 (54 teeth) (Discontinued)		Part #221316-2 (Discontinued)	Part #221321-9 (58 teeth)
31	Ring	Part #257052-4			
32	Gear	Part #221301-1 (17 teeth) (Discontinued)	Part #221301-5 (17 teeth) (Discontinued)	Part #221315-4 (19 teeth) (Discontinued)	Part #221320-1 (19 teeth)

The above parts are completely interchangeable as a set.

4. Changes on Wheel Cover.

Fig. No.	Description	Type 1		Type 2	
		 (Screw-on type)		 (Clamp type)	
18	Bearing Box	For 9607B, 9607BL	For 9609B	For 9607B, 9607BL, 9009B	
		 Part #312568-7	 Part #312715-0	Part #312787-5	
27	Screw	Part #911216-1			
401	Wheel Cover	For 7" Wheel	For 9" Wheel	For 7" Wheel	For 9" Wheel
		 Part #343150-1	 Part #343107-2	 Part #191214-3	 Part #191215-1

The above parts are completely interchangeable as a set.