

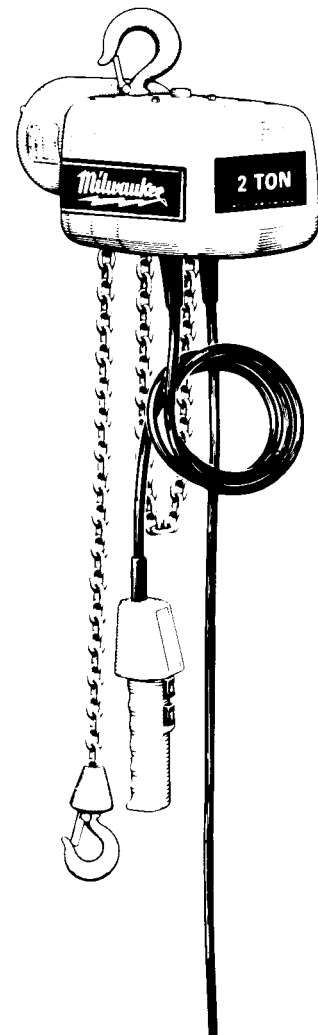
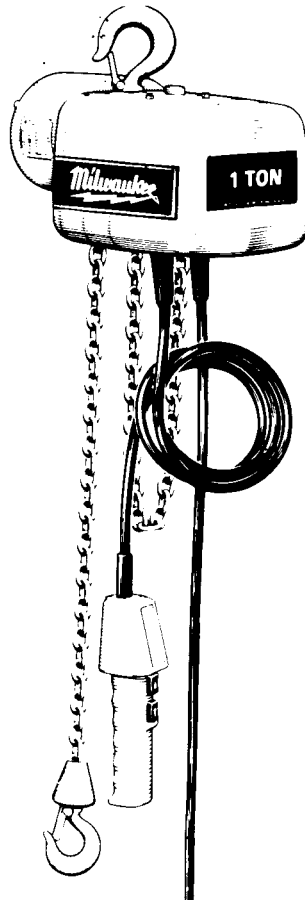
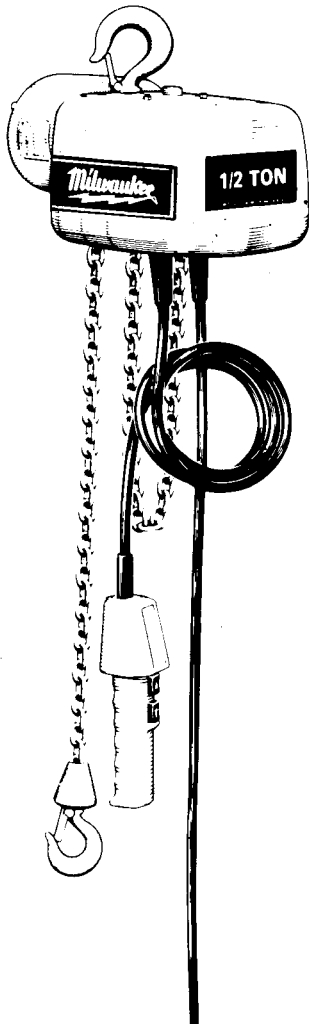


**BULLETIN NO.
54-02-1200**

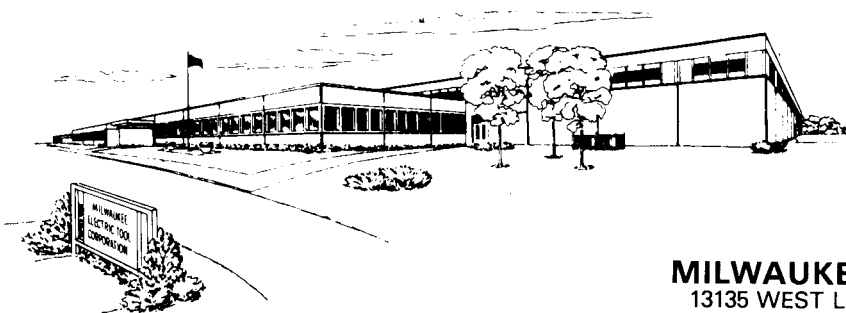
REVISÉD BULLETIN	DATE JAN. '87
DATE CODE 486	WIRING INSTRUCTIONS SEE BACK OF BOOK

SERVICE PARTS LIST

CATALOG NO.
9560, 9561, 9562,
9565, 9566, 9567, 9568, 9570,
9571, 9572 and 9573



ELECTRIC CHAIN HOISTS



MILWAUKEE ELECTRIC TOOL CORPORATION
13135 WEST LISBON ROAD, BROOKFIELD, WISCONSIN 53005

SPECIFY CATALOG NO. AND SERIAL NO. WHEN ORDERING PARTS

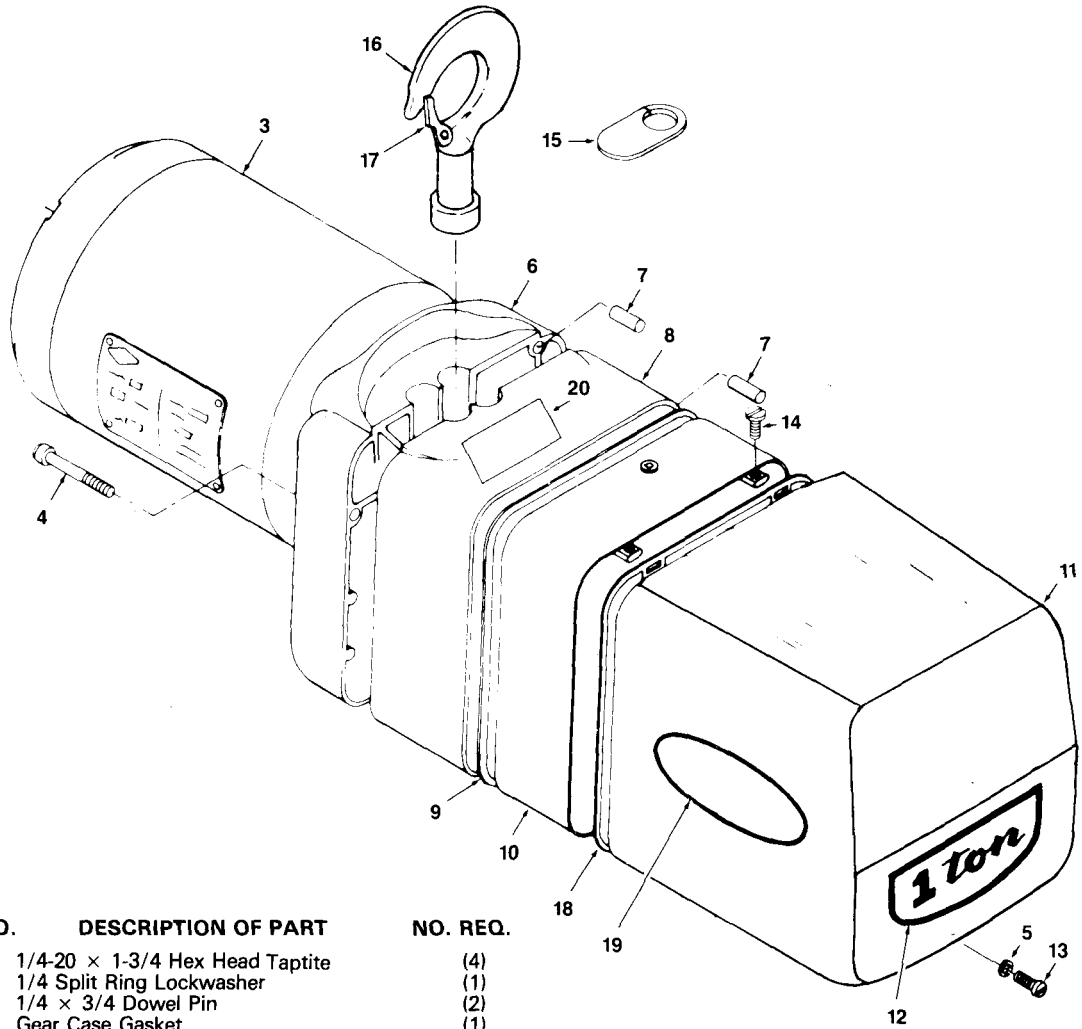


FIG.	PART NO.	DESCRIPTION OF PART	NO. REQ.
	4	06-95-5655 1/4-20 x 1-3/4 Hex Head Taptite	(4)
	5	06-97-4000 1/4 Split Ring Lockwasher	(1)
	7	06-65-3515 1/4 x 3/4 Dowel Pin	(2)
	9	43-44-0820 Gear Case Gasket	(1)
	10	42-92-0665 Gear Box Cover	(1)
	11	22-68-0220 Cover - Electrical	(1)
	13	06-95-0326 1/4-20 x 3/4 Slotted Fillister Hd. Screw	(1)
	14	06-95-0338 10-24 x 1/2 Pan Hd. Taptite	(2)
	15	42-92-0670 Hook Hole Cover	(1)
	16	14-36-0140 Hook Assembly with Latch	(1)
	17	14-47-0590 Latch Kit	(1)
	18	43-44-0830 Cover Gasket	(1)
	19	10-37-0070 Milwaukee Label	(2)
	20	10-98-6590 Warning Label	(1)

For Catalog No. 9560, 9561 & 9562

	3	23-30-0210 1/2 HP 115/230V 60 HZ Motor	(1)
	6	43-76-0470 Sheave Housing	(1)
	8	43-76-0480 Gear Housing	(1)
	12	10-37-0040 1/2 Ton Capacity Label	(1)
		<u>For Catalog No. 9565, 9567, 9568</u>	
	3	23-30-0220 1 HP 115/230V, 60 HZ Motor	(1)
	6	43-76-0510 Sheave Housing	(1)
	8	43-76-0490 Gear Housing	(1)
	12	10-37-0050 1 Ton Capacity Label	(1)

For Catalog No. 9566

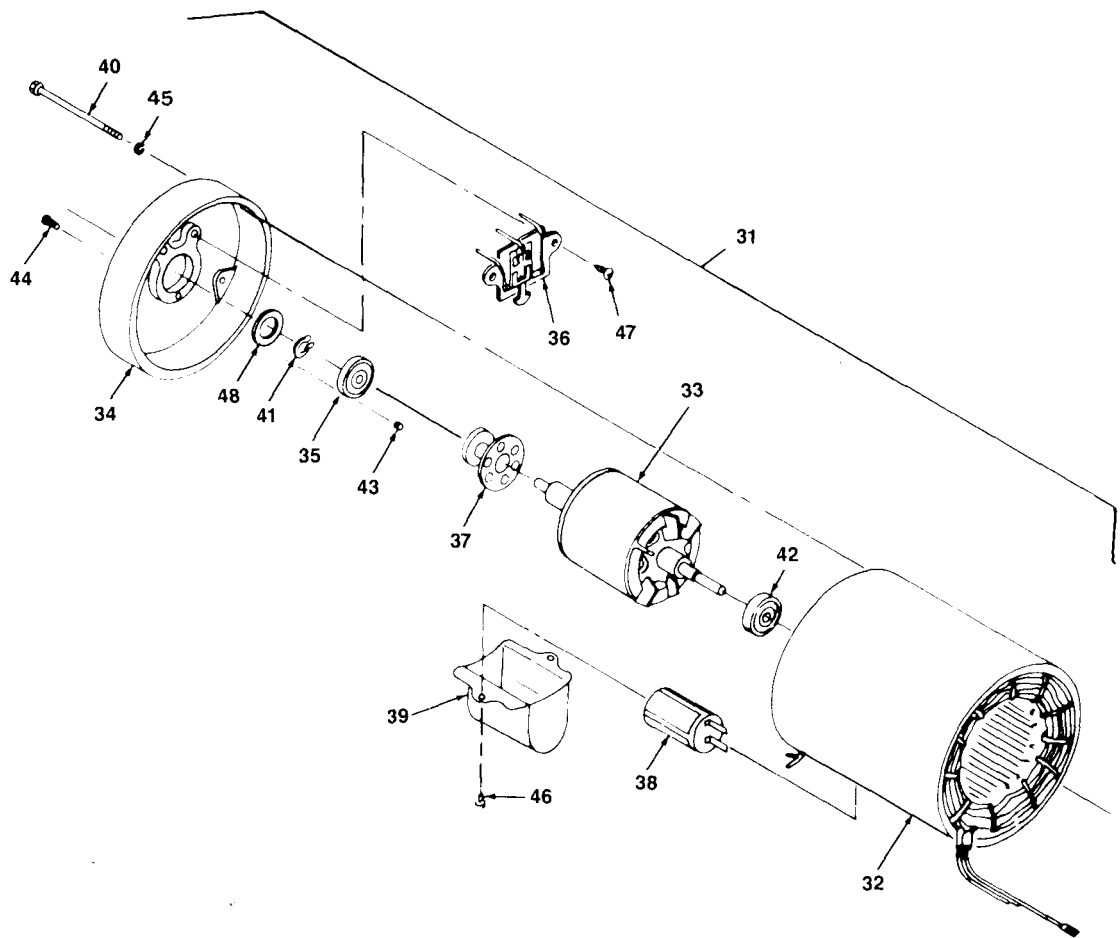
	3	23-30-0230 1 HP 230/460 V. 3 Phase Motor	(1)
	6	43-76-0510 Sheave Housing	(1)
	8	43-76-0490 Gear Housing	(1)
	12	10-38-0050 1 Ton Capacity Label	(1)

For Catalog No. 9570, 9572 & 9573

	3	23-30-0220 1 HP 115/230 V. 60 HZ Motor	(1)
	6	43-76-0510 Sheave Housing	(1)
	8	43-76-0490 Gear Housing	(1)
	12	10-37-0060 2 Ton Capacity Label	(1)

For Catalog No. 9571

	3	23-30-0230 1 HP 230/460 V. 3 Phase Motor	(1)
	6	43-76-0510 Sheave Housing	(1)
	8	43-76-0490 Gear Housing	(1)
	12	10-37-0060 2 Ton Capacity Label	(1)

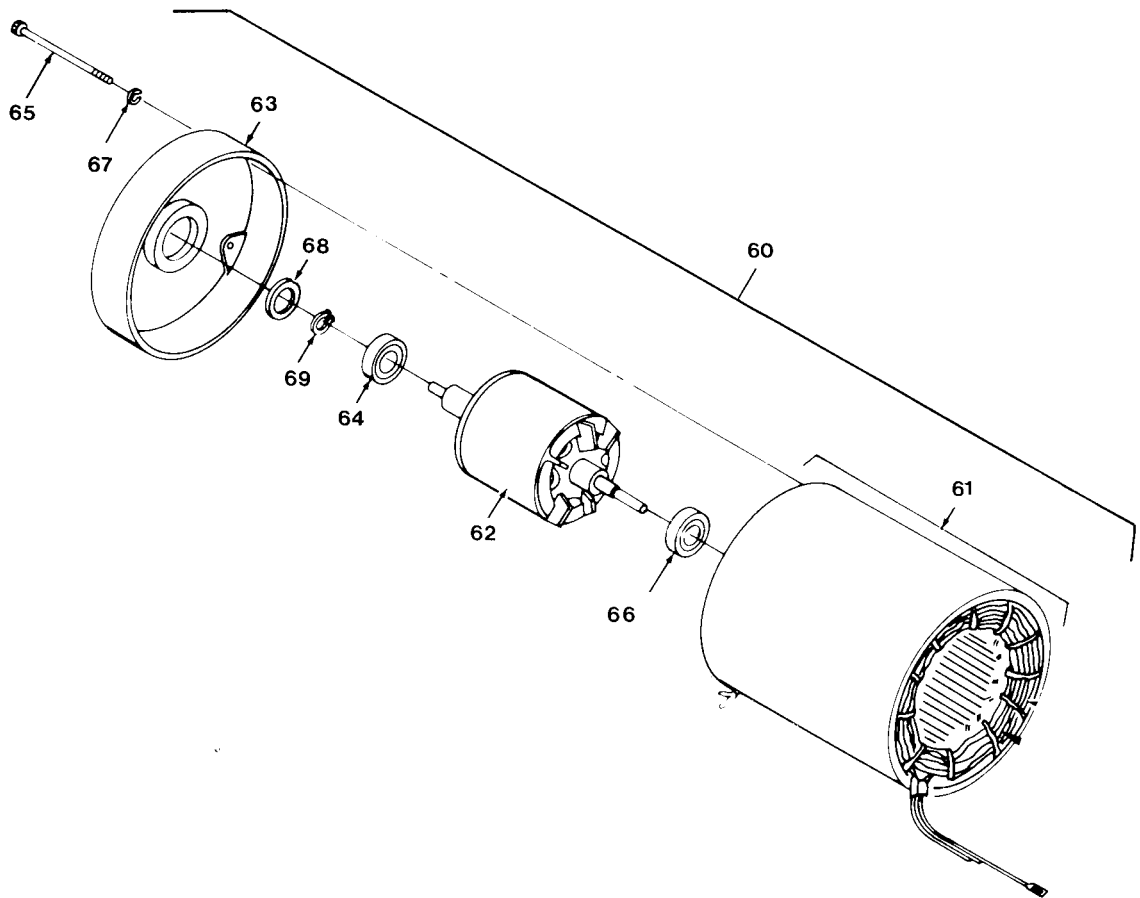


LEESON MOTOR

FIG.	PART NO.	DESCRIPTION OF PART	NO. REQ.
32		Not Available	
33		Not Available	
34	45-12-0420	End Shield	(1)
35	02-04-1745	Ball Bearing	(1)
36	23-66-1640	Stationary Switch	(1)
37	23-66-1645	Rotating Switch	(1)
41	34-60-1250	Retaining Ring	(1)
42	02-04-1701	Ball Bearing	(1)
45	06-97-3500	#10 Split Ring Lock Washer	(4)
46	06-81-4564	#8-32 x 3/8 Round Hd. Machine Screw	(2)
47	06-81-4570	#8-32 x 3/8 Round Hd. Machine Screw	(2)
48	45-88-8130	Shim Washer	(1)
For Catalog No. 9560, 9561 & 9562			
31	23-30-0210	1/2 HP 115/230 V 60 HZ Motor	(1)
38	22-33-0370	Capacitor 216-259 Mfd. 120 Vac.	(1)
39	22-68-0240	Capacitor Cover	(1)
40	06-81-3164	#10-32 x 7-3/8 Hex Head Screw	(4)
For Catalog No. 9565, 9567, 9568, 9570, 9572 & 9573			
31	23-30-0220	1 HP 115/230 V. 60 HZ Motor	(1)
38	22-33-0390	Capacitor 400-480 Mfd. 120 Vac.	(1)
39	22-68-0250	Capacitor Cover	(1)
40	06-81-3168	#10-32 x 8-7/8 Hex Head Screw	(4)
Items Not Shown			
42-36-1620		Stationary Switch Mounting Bracket	(1)

DOERR MOTOR

FIG.	PART NO.	DESCRIPTION OF PART	NO. REQ.
32		Not Available	
33		Not Available	
34	45-12-0410	End Shield	(1)
35	02-04-1745	Ball Bearing	(1)
36	23-66-1635	Stationary Switch	(1)
37	23-66-1645	Rotating Switch	(1)
39	22-68-0230	Capacitor Cover	(1)
41	34-60-1250	Retaining Ring	(1)
42	02-04-1701	Ball Bearing	(1)
43	06-81-3150	#10-32 x 3/8 Hex Hd. Screw	(1)
45	06-97-3500	#10 Split Ring Lock Washer	(4)
46	06-81-4564	#8-32 x 5/16 Round Hd. Machine Screw	(2)
47	06-81-4553	#6-32 x 3/8 Round Hd. Machine Screw	(2)
48	45-88-8120	Shim Washer	(1)
For Catalog No. 9560, 9561 & 9562			
31	23-30-0210	1/2 HP 115/230V 60 HZ Motor	(1)
38	22-33-0360	Capacitor 375 Mfd 125 Vac	(1)
40	06-81-3162	#10-32 x 7-1/4 Hex Hd. Screw	(4)
For Catalog No. 9565, 9567, 9568, 9570, 9572 & 9573			
31	23-30-0220	1 HP 115/230 V 60 HZ Motor	(1)
38	22-33-0380	Capacitor 455 Mfd 125 Vac	(1)
40	06-81-3166	#10-32 x 8-3/4 Hex Hd. Screw	(4)



LEESON MOTOR

DOERR MOTOR

FIG.	PART NO.	DESCRIPTION OF PART	NO. REQ.	FIG.	PART NO.	DESCRIPTION OF PART	NO. REQ.
60	23-30-0230	1 HP 230/460 V, 3 Phase Motor	(1)	60	23-30-0230	1 HP 230/460 V 3 Phase Motor	(1)
61		Not Available		61		Not Available	
62		Not Available		62		Not Available	
63	45-12-0440	End Shield	(1)	63	45-12-0430	End Shield	(1)
64	02-04-1745	Ball Bearing	(1)	64	02-04-1745	Ball Bearing	(1)
65	06-81-3160	#10-32 x 8-3/4 Hex Hd. Screw	(4)	65	06-81-3162	#10-32 x 7-1/4 Hex Hd. Screw	(4)
66	02-04-1701	Ball Bearing	(1)	66	02-04-1701	Ball Bearing	(1)
67	06-97-3500	#10 Split Ring Lock Washer	(4)	67	06-97-3500	#10 Split Ring Lock Washer	(4)
68	45-88-8120	Shim Washer	(1)	68	45-88-8120	Shim Washer	(1)

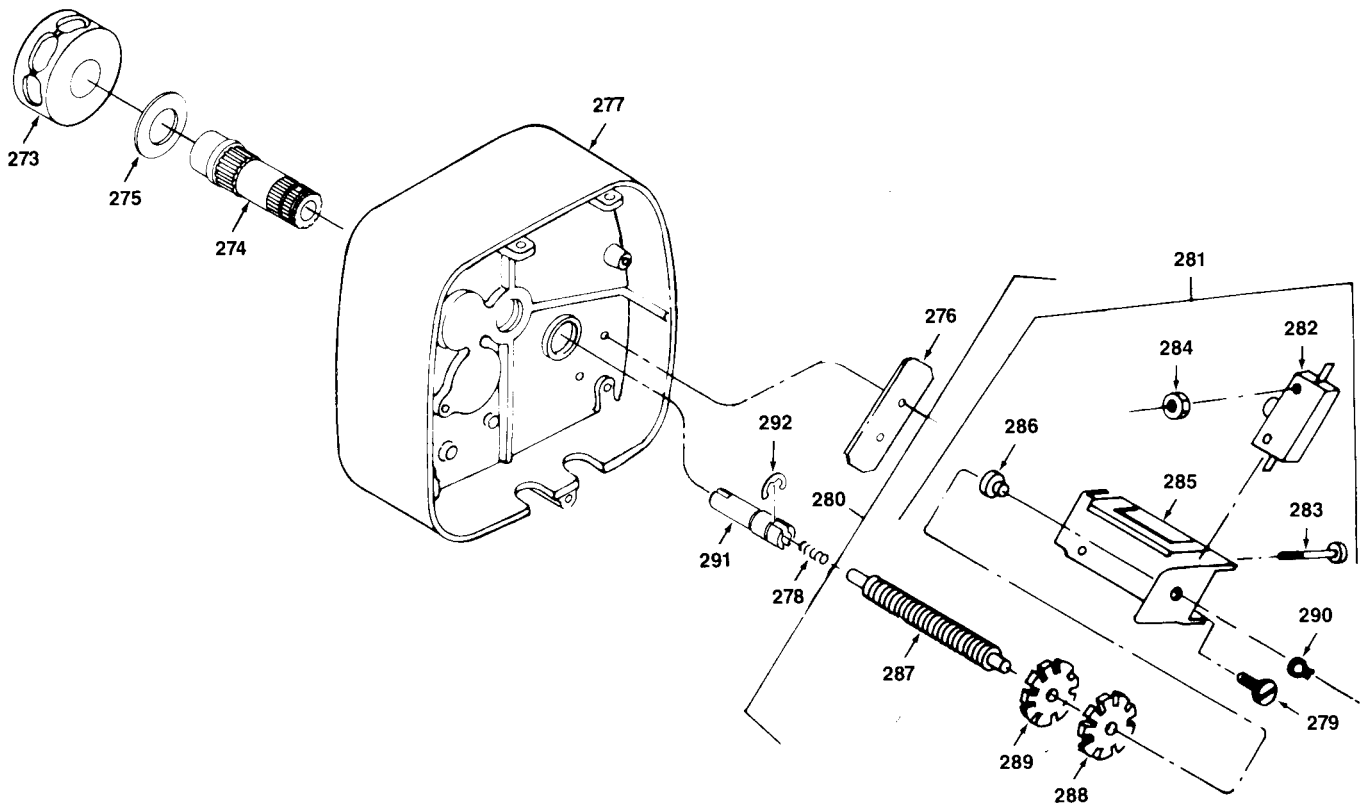


FIG.	PART NO.	DESCRIPTION OF PART	NO. REQ.
	274	36-50-0010 Load Shaft Assembly	(1)
	275	45-36-1340 Chain Spacer	(1)
	276	43-86-0130 Insulator	(1)
	277	42-92-0665 Gear Box Cover	(1)
	278	40-50-8090 Spring	(1)
	279	06-95-0326 #10 - 24 x 3/8 Thread Forming Taptite Screw	(2)
	280	14-73-0210 Limit Switch & Shaft (Incl. Fig. 281 to 290)	(1)
	281	14-78-0340 Limit Switch Assy. (Incl. Fig. 282 to 286)	(1)
	282	23-66-1550 Switch	(2)
	283	06-81-0725 #6-32 x 1 Fillister Head	(4)
	284	06-57-6059 #6 - 32 Locknut	(4)
	285	23-66-1555 Limit Switch	(1)
	286	42-40-0910 Bushing	(1)
	287	45-08-0280 Limit Switch Shaft	(1)
	288	44-40-0635 Limit Switch Nut - Red	(1)
	289	44-40-0640 Limit Switch Nut - Green	(1)
	290	34-60-0510 Retaining Ring	(1)
	291	45-08-0290 Limit Switch Stud Shaft	(1)
	292	34-60-2470 E Ring	(1)

For Catalog No. 9560, 9561 & 9562

273 45-11-0110 Load Sheave (1)

For Catalog No. 9565, 9566, 9567, 9568
9570, 9571, 9572 & 9573

273 45-11-0120 Load Sheave (1)

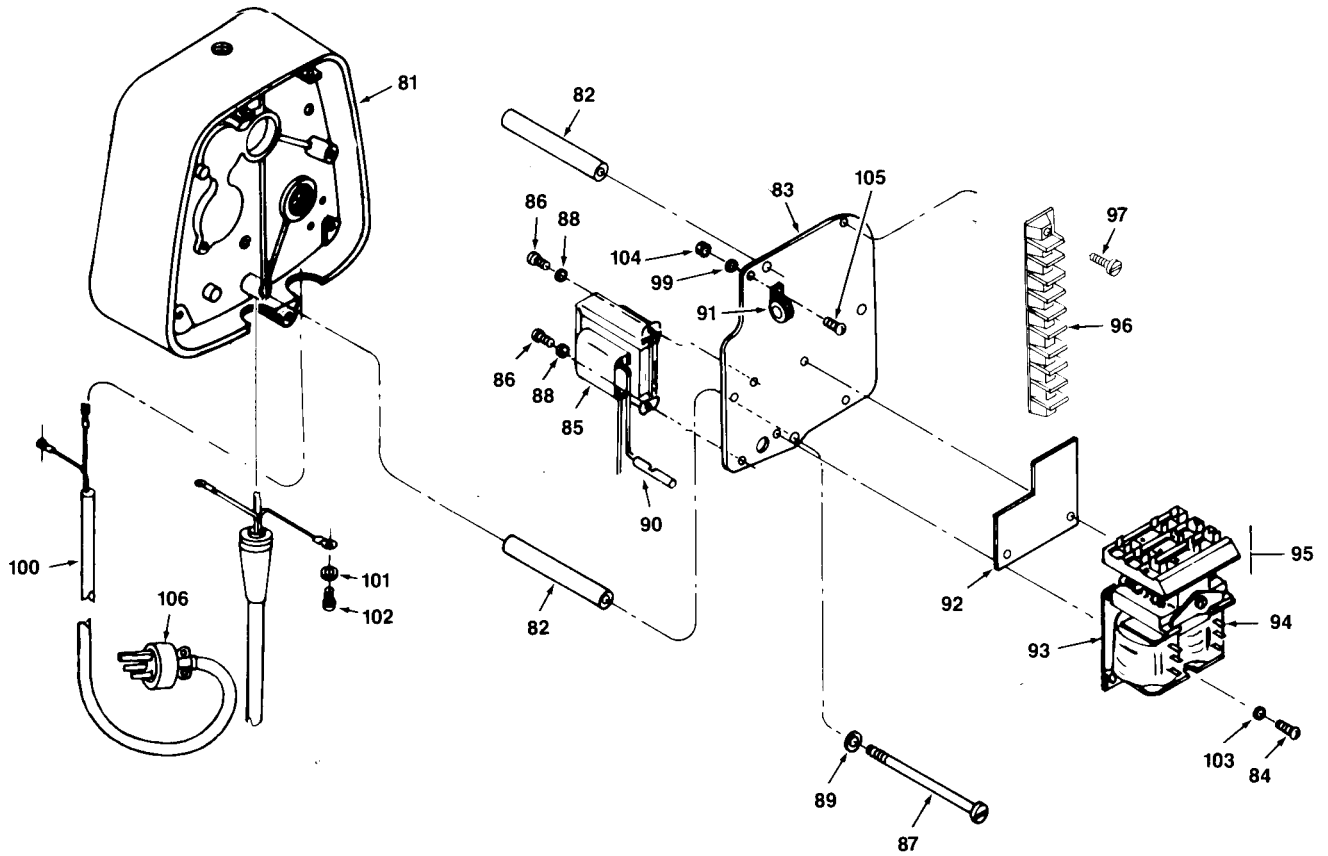


FIG.	PART NO.	DESCRIPTION OF PART	NO. REQ.
	81	42-92-0665 Gear Box Cover	(1)
	82	45-36-1330 Standoff Spacer	(3)
	83	44-66-5650 Electrical Panel Plate	(1)
	84	06-81-1070 #10 - 24 x 3/8 Fillister Head Screw	(3)
	86	06-81-4208 #10 - 24 x 1/4 Pan Head Screw	(2)
	87	06-81-4760 1/4 - 20 - 4-1/4 Round Head Screw	(3)
	88	06-97-1300 #10 External Tooth Lockwasher	(2)
	89	06-97-2600 1/4 Internal Tooth Lockwasher	(3)
	90	22-56-0545 Splice Connector	(1)
	91	42-68-0575 Cable Clamp	(1)
	92	43-86-0140 Insulator	(1)
	93	22-58-0090 Contactor 24 Volt	(1)
	94	22-51-0200 Coil 24 Volt	(1)
	95	14-47-0600 Contactor Service Part Kit	(1)
	97	06-81-5695 #10 - 24 x 5/8 Pan Head Screw	(2)
	99	06-97-3200 #8 Split Ring Lockwasher	(1)
	101	45-88-5220 1/4 Flat Washer	(1)
	102	06-95-0326 #10 - 24 x 3/8 Thread Forming Taptite	(1)
	103	06-97-3400 #10 Split Ring Lockwasher	(3)
	104	06-55-0830 #8 - 32 Hex Nut	(1)
	105	06-81-0910 #8 - 32 x 1/2 Fillister Hd.	(1)

For Catalog No. 9566 & 9571

	85	23-81-0300 Transformer	(1)
	96	22-56-0570 Connector Terminal Block	(1)
	100	22-64-2890 Cord Set	(1)

For Catalog No. 9560, 9561, 9562, 9565, 9567
9568, 9570, 9572 & 9573

	85	23-81-0290 Transformer	(1)
	96	22-56-0560 Connector Terminal Block	(1)
	100	22-64-2880 Cord Set	(1)
	106	23-36-0290 3 Prong Plug	(1)

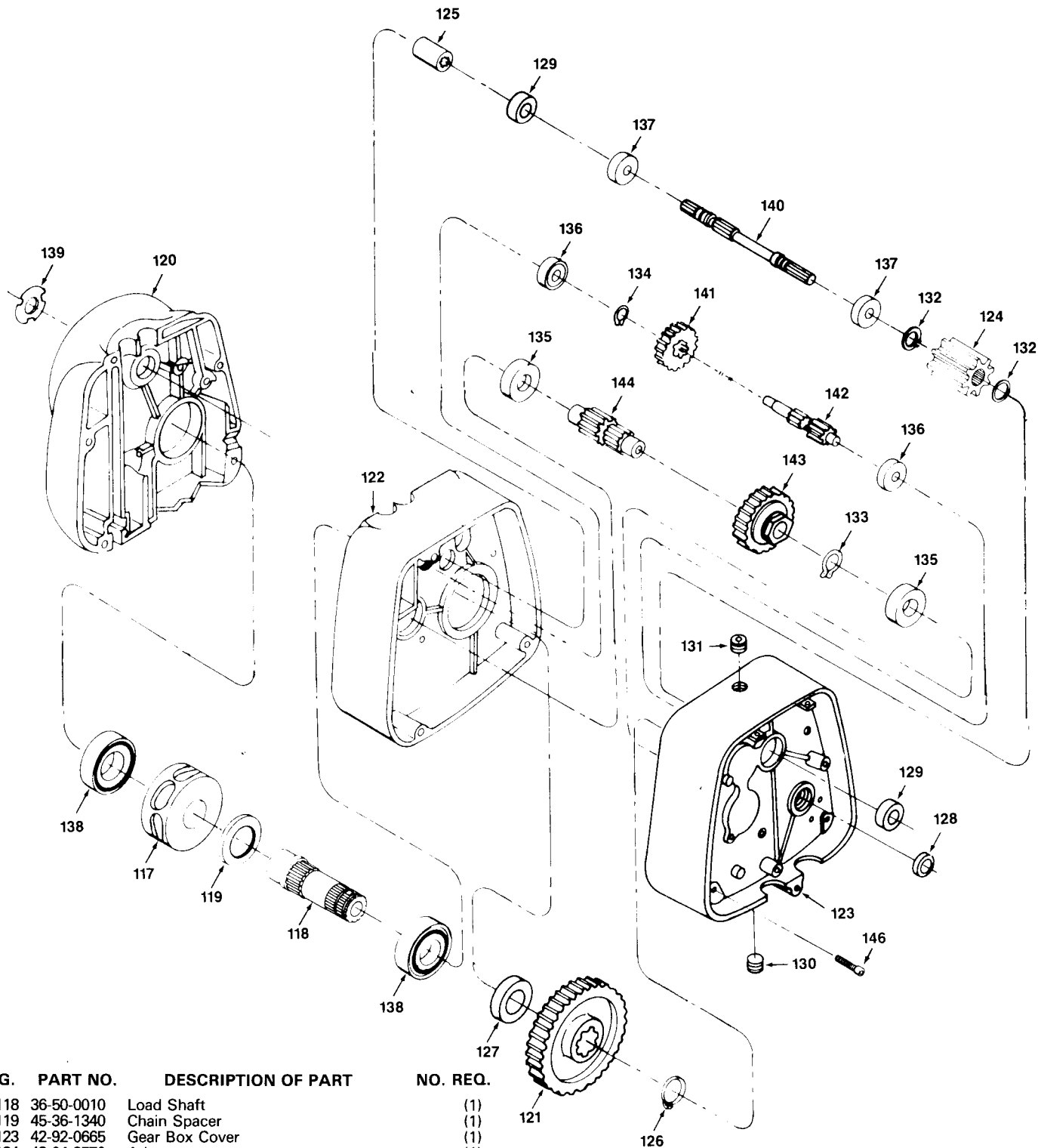


FIG. PART NO. DESCRIPTION OF PART

FIG.	PART NO.	DESCRIPTION OF PART	NO. REQ.
118	36-50-0010	Load Shaft	(1)
119	45-36-1340	Chain Spacer	(1)
123	42-92-0665	Gear Box Cover	(1)
124	42-04-3570	Adapter	(1)
125	42-90-0240	Motor Coupling	(1)
126	34-60-2480	Retaining Ring	(1)
127	45-06-0400	Oil Seal	(1)
128	45-06-0410	Oil Seal	(1)
129	45-06-0420	Oil Seal	(2)
130	44-68-0530	Drain Plug 3/8 N.P.T.	(1)
131	44-68-0540	Vent Plug	(1)
132	34-60-1400	Retaining Ring	(2)
133	34-60-2480	Retaining Ring	(1)
134	34-60-1400	Retaining Ring	(1)
135	02-04-1765	Ball Bearing	(2)
136	02-04-1030	Ball Bearing	(2)
137	02-04-1705	Ball Bearing	(2)
138	02-04-2300	Ball Bearing	(2)
139	40-50-8100	Bearing Spring	(1)
140	32-60-2320	Driving Pinion	(1)
141	32-60-2325	High Speed Gear	(1)
144	32-60-2340	Intermediate Pinion	(1)
146	06-95-5680	Hex Washer Hd. 1/4 - 20 x 2-1/4 Thread Forming Zinc Plated	(4)

NO. REQ.

FIG. PART NO. DESCRIPTION OF PART

FIG.	PART NO.	DESCRIPTION OF PART	NO. REQ.
For Catalog No. 9560, 9561 & 9562			
117	45-11-0110	Load Sheave	(1)
120	43-76-0470	Sheave Housing	(1)
121	32-60-2310	Out Put Gear	(1)
122	43-76-0480	Gear Housing	(1)
142	32-60-2330	High Speed Pinion	(1)
143	14-08-0150	Overload Clutch Assy.	(1)

For Catalog No. 9565, 9566, 9567, 9568 9570, 9571, 9572 & 9573

FIG.	PART NO.	DESCRIPTION OF PART	NO. REQ.
117	45-11-0120	Load Sheave	(1)
120	43-76-0510	Sheave Housing	(1)
121	32-60-2315	Out Put Gear	(1)
122	43-76-0490	Gear Housing	(1)
142	32-60-2335	High Speed Pinion	(1)
143	14-08-0160	Overload Clutch Assy.	(1)

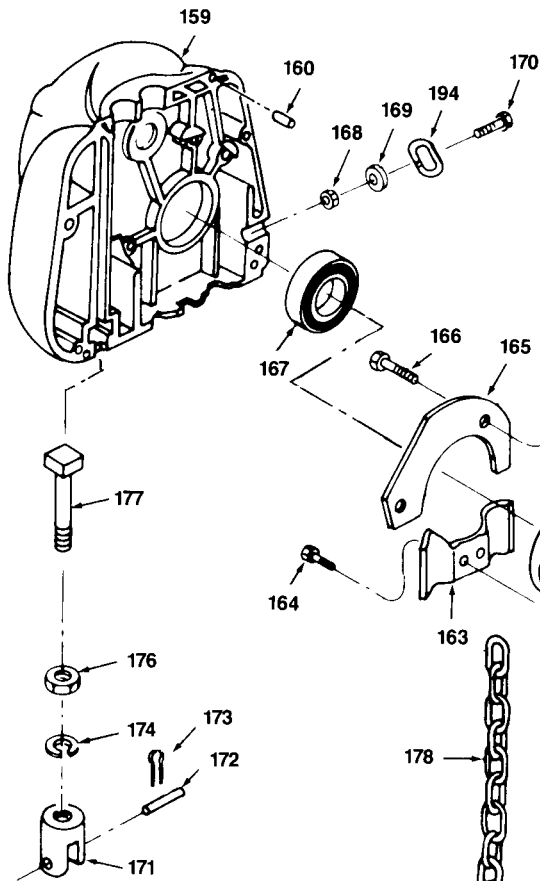


FIG.	PART NO.	DESCRIPTION OF PART	NO. REQ.
	157	36-50-0010 Load Shaft	(1)
	158	45-36-1340 Chain Spacer	(1)
	160	06-65-3515 Dowel Pin 1/4 x 3/4	(4)
	162	45-36-1350 Chain Guide Spacer	(2)
	164	06-95-6000 1/2-20 x 5/8 Hex Hd. Thread Forming Screw	(2)
	166	06-95-5647 1/4-20 x 1-1/8 Thread Forming Screw	(2)
	167	02-04-2300 Ball Bearing	(2)
	168	06-57-5000 1/4-20 Locknut	(1)
	169	45-88-5220 1/4 Flat Washer	(5)
	170	06-81-1820 1/4-20 x 1 Fillister Hd. Screw	(1)
	171	45-60-0490 Chain Support	(1)
	172	44-60-1030 Chain Support Pin	(1)
	173	44-60-1040 Cotter Pin	(1)
	174	06-97-4200 1/2 Split Ring Lockwasher	(1)
	175	06-65-1535 Roll Pin 1/8 x 3/4	(1)
	176	06-57-7520 1/4 - 20 Jam Nut	(1)
	177	45-04-0780 Chain Support Screw	(1)
	178	See Pushbutton Station Parts List	(1)
	194	44-14-0150 Dead End Link	(1)

FIG.	PART NO.	DESCRIPTION OF PART	NO. REQ.
For Catalog No. 9560, 9561 & 9562			
	156	45-11-0110 Load Sheave	(1)
	159	43-76-0470 Sheave Housing	(1)
	161	43-76-0480 Gear Housing	(1)
	163	43-56-0440 Chain Guide	(2)
	165	44-66-5655 Chain Guide Plate	(2)
	179	43-40-0230 Load Chain Block Cover	(1)
	180	43-40-0240 Load Chain Block	(1)
	181	45-04-0790 Load Chain Block Screw	(1)
	182	14-36-0180 Bottom Hook with Latch Assy.	(1)
	183	14-47-0610 Latch Kit	(1)
	202	14-47-0630 Bottom Block Assy.	(1)

For Catalog No. 9565, 9566, 9567 & 9568			
	156	45-11-0120 Load Sheave	(1)
	159	43-76-0510 Sheave Housing	(1)
	161	43-76-0490 Gear Housing	(1)
	163	43-56-0450 Chain Guide	(2)
	165	44-66-5656 Chain Guide Plate	(2)
	195	14-36-0190 Hook & Latch Assy.	(1)
	196	14-47-0650 Latch Kit	(1)
	197	43-76-0520 Frame	(2)
	198	44-60-1050 Dead End Pin	(1)
	199	06-75-3200 1/4 - 20 x 1-1/4 Socket Head Screw	(2)
	200	06-97-2600 Lock Washer	(2)
	201	42-28-0290 Bottom Block Assy.	(1)

FIG.	PART NO.	DESCRIPTION OF PART	NO. REQ.
For Catalog No. 9570, 9571, 9572 & 9573			
	156	45-11-0120 Load Sheave	(1)
	159	43-76-0510 Sheave Housing	(1)
	161	43-76-0490 Gear Housing	(1)
	163	43-56-0450 Chain Guide	(2)
	165	44-66-5656 Chain Guide Plate	(2)
	183	14-47-0610 Latch Kit	(1)
	184	14-47-0620 Load Block Kit	(1)
	185	45-04-0800 Load Block Screw 3/8 - 24 x 1-3/4	(2)
	186	06-97-4127 Lock Washer	(2)
	187	43-40-0250 Load Block Frame	(2)
	188	14-36-0170 Bottom Hook w/Latch Assy.	(1)
	189	06-55-2475 Nut 3/8 - 24 Hex	(2)
	190	14-73-0220 Sheave Shaft Assy.	(1)
	191	14-76-0020 Sheave Shaft & Bearing Assy.	(1)
	192	36-74-0020 Sheave Shaft	(1)
	193	06-65-3635 Roll Pin 3/16 x 1-1/4	(2)

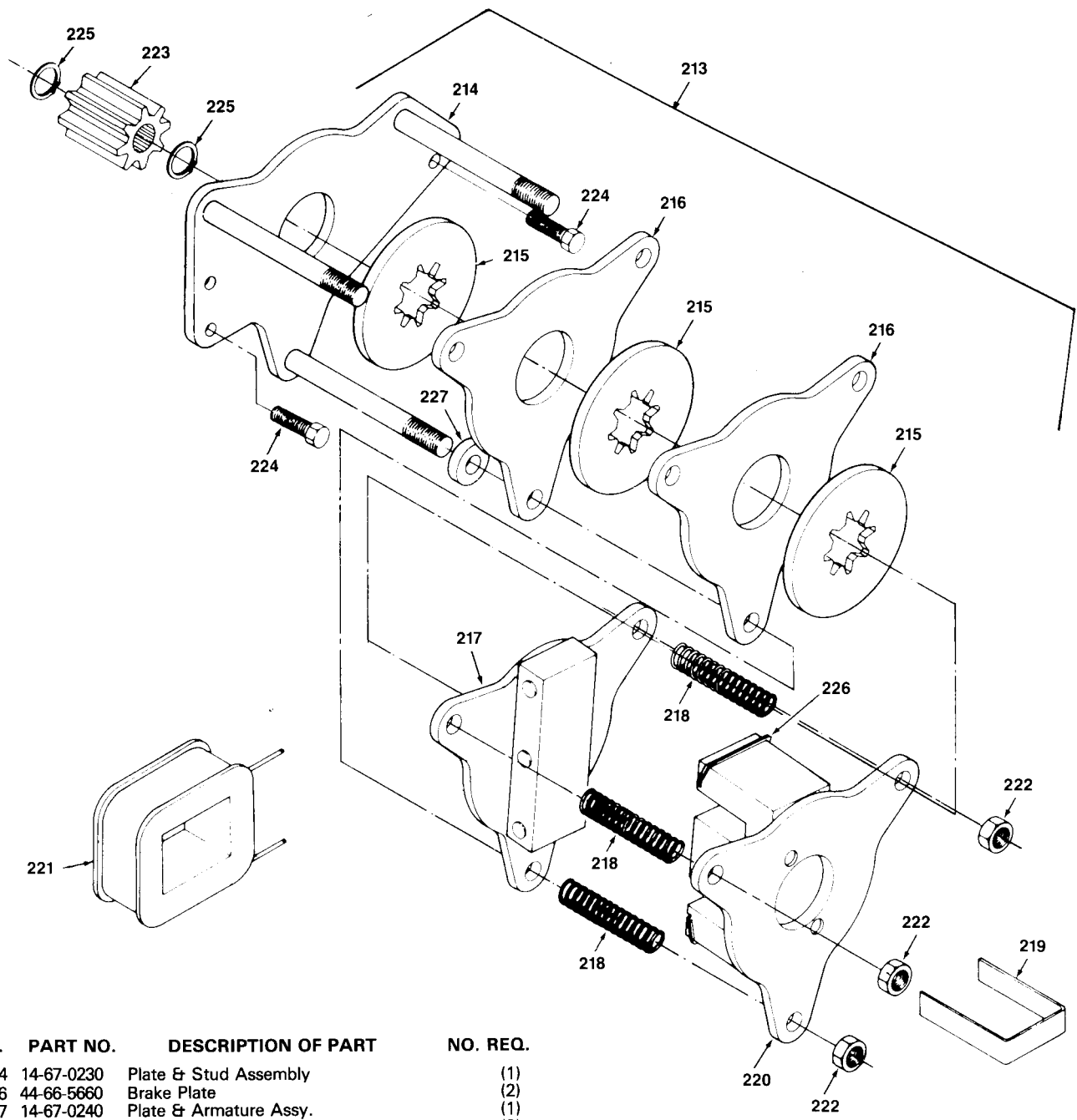


FIG.	PART NO.	DESCRIPTION OF PART	NO. REQ.
	214	14-67-0230 Plate & Stud Assembly	(1)
	216	44-66-5660 Brake Plate	(2)
	217	14-67-0240 Plate & Armature Assy.	(1)
	218	40-50-8110 Spring	(3)
	219	44-86-0500 Retainer	(1)
	220	14-67-0250 Plate & Frame Assembly	(1)
	222	06-57-5165 3/8 - 16 Lock Nut	(3)
	223	42-04-3570 Adapter	(1)
	224	06-95-6000 1/2 - 20 x 5/8 Hex Hd. Thread Forming	(2)
	225	34-60-1400 Retaining Ring	(2)
	226	22-51-0230 Shading Coil	(2)

For Catalog No. 9560, 9561 & 9562

213	14-04-0030	Disc Brake Assembly	(1)
215	43-06-0580	Brake & Disc	(2)
221	22-51-0210	Coil 115 Volt/PH 60 HZ	(1)
227	45-36-1360	Spacer	(3)

FIG. PART NO. DESCRIPTION OF PART NO. REQ.
For Catalog No. 9565, 9567, 9568, 9570, 9572 & 9573

213	14-04-0040	Disc Brake Assembly	(1)
215	43-06-0580	Brake & Disc	(3)
221	22-51-0210	Coil 115 Volt/1 PH 60 HZ	(1)

For Catalog No. 9566 & 9571

213	14-04-0050	Disc Brake Assembly	(1)
215	43-06-0580	Brake & Disc	(3)
221	22-51-0220	Coil 230/460 Volt 3 Phase 60 HZ	(1)

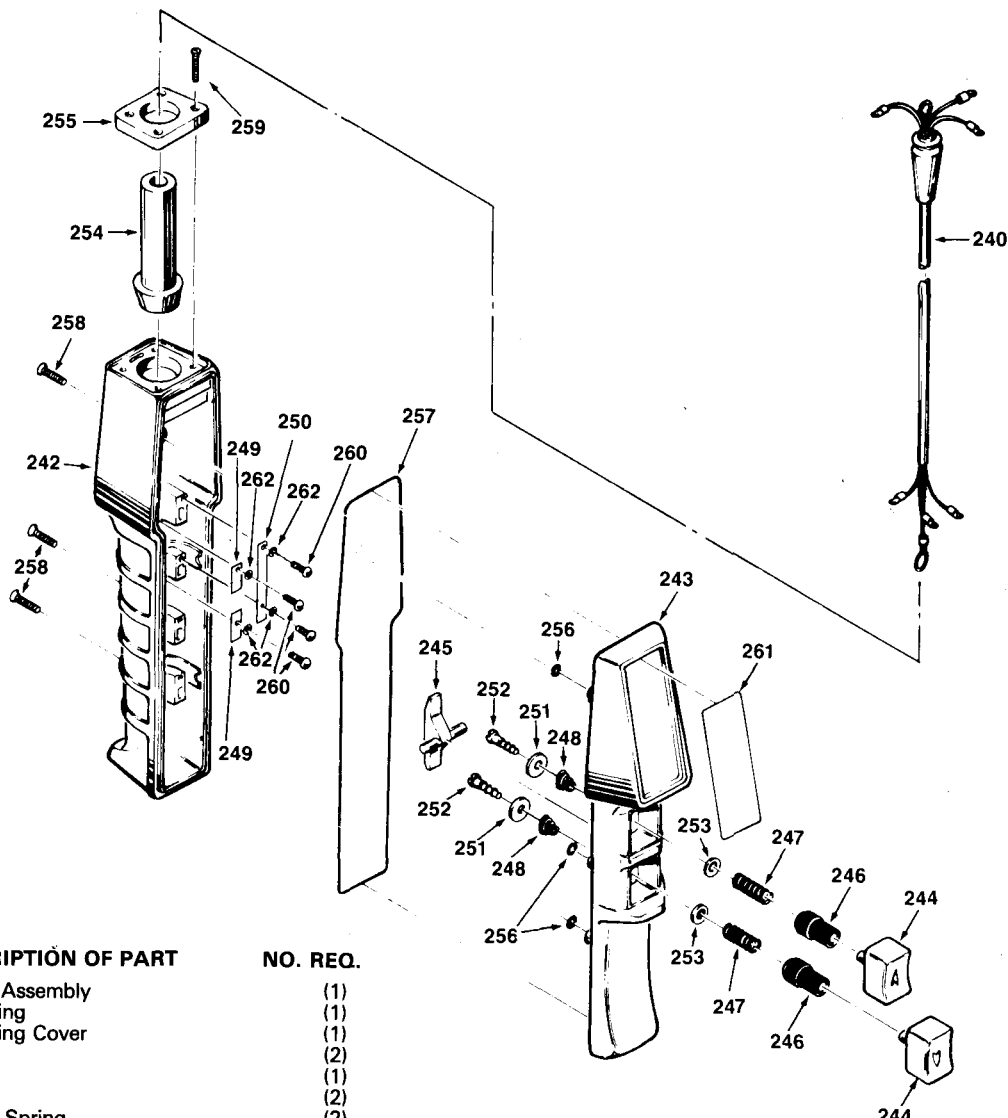
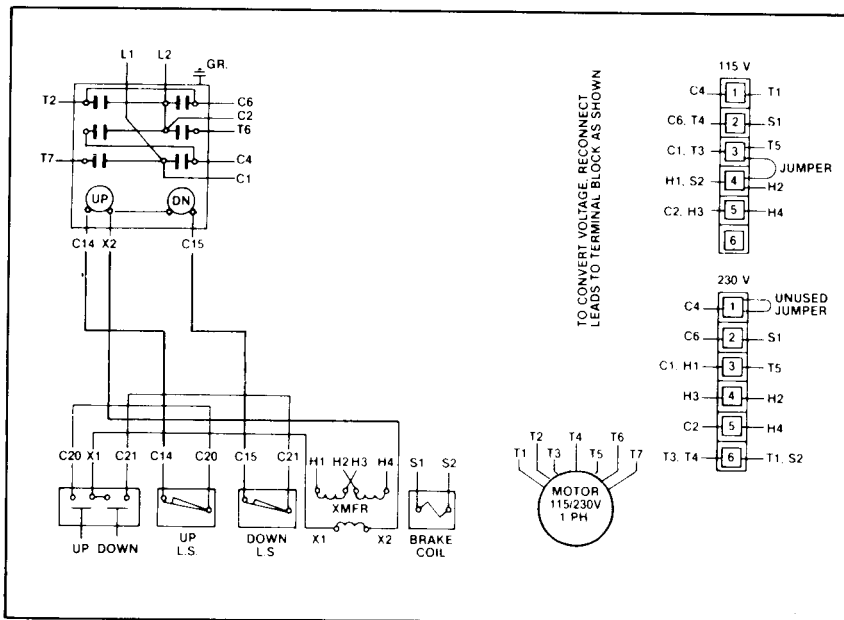


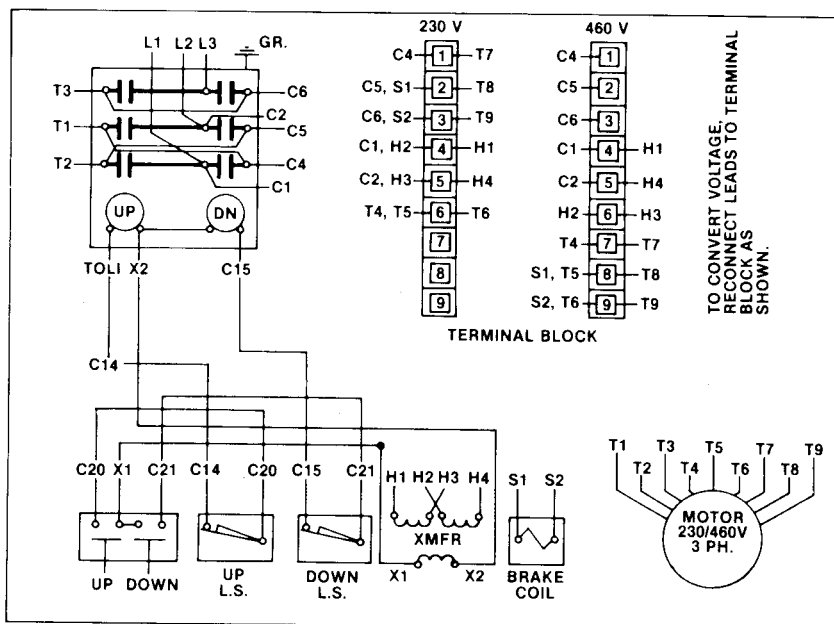
FIG.	PART NO.	DESCRIPTION OF PART	NO. REQ.
241	23-37-0140	Push Button Assembly	(1)
242	43-76-0500	Switch Housing	(1)
243	42-92-0720	Switch Housing Cover	(1)
244	42-42-0300	Push Button	(2)
245	44-20-0250	Interlock	(1)
246	45-06-0430	Dust Shield	(2)
247	40-50-8140	Compression Spring	(2)
248	40-50-8150	Conical Spring	(2)
249	44-66-5710	Switch Contact	(2)
250	44-66-5720	Switch Contact Common	(1)
251	45-88-8100	Contact Washer	(2)
252	06-95-0045	Contact Screw	(2)
253	45-06-0440	Seal	(2)
254	22-90-0190	Grommet	(1)
255	22-32-0360	Cap	(1)
256	34-40-4150	O-Ring	(3)
257	45-06-0450	Seal	(1)
258	06-95-5335	#10 - 3/4 Flat Hd. Self Tapping Screw	(3)
259	06-95-0132	#6 x 5/8 Flat Hd. Self Tapping Screw	(4)
260	06-95-0043	#4 x 3/8 Round Hd. Self Tapping Screw	(4)
261	10-37-0090	Warning Label	(1)
262	06-97-0450	#4 External Tooth Lock Washer	(4)

FIG.	PART NO.	DESCRIPTION OF PART	NO. REQ.
<u>For Catalog No. 9560</u>			
178	42-60-0350	Lift Chain 1/2 Ton 10'	(1)
239	14-05-0020	Pushbutton & Cable Assy. 10'	(1)
240	22-64-2850	Cable Assy. 10'	(1)
<u>For Catalog No. 9561</u>			
178	42-60-0355	Lift Chain 1/2 Ton 15'	(1)
239	14-05-0030	Pushbutton & Cable Assy. 15'	(1)
240	22-64-2860	Cable Assy. 15'	(1)
<u>For Catalog No. 9562</u>			
178	42-60-0360	Lift Chain 1/2 Ton 20'	(1)
239	14-05-0040	Pushbutton & Cable Assy. 20'	(1)
240	22-64-2870	Cable Assy. 20'	(1)
<u>For Catalog No. 9565 & 9566</u>			
178	42-60-0365	Lift Chain 1 Ton 10'	(1)
239	14-05-0020	Pushbutton & Cable Assy. 10'	(1)
240	22-64-2850	Cable Assy. 10'	(1)
<u>For Catalog No. 9567</u>			
178	42-60-0370	Lift Chain 1 Ton 15'	(1)
239	14-05-0030	Pushbutton & Cable Assy. 15'	(1)
240	22-64-2860	Cable Assy. 15'	(1)
<u>For Catalog No. 9568</u>			
178	42-60-0375	Lift Chain 1 Ton 20'	(1)
239	14-05-0040	Pushbutton & Cable Assy. 20'	(1)
240	22-64-2870	Cable Assy. 20'	(1)
<u>For Catalog No. 9570 & 9571</u>			
178	42-60-0380	Lift Chain 2 Ton 10'	(1)
239	14-05-0020	Pushbutton & Cable Assy. 10'	(1)
240	22-64-2850	Cable Assy. 10'	(1)
<u>For Catalog No. 9572</u>			
178	42-60-0385	Lift Chain 2 Ton 15'	(1)
239	14-05-0030	Pushbutton & Cable Assy. 15'	(1)
240	22-05-0060	Cable Assy. 15'	(1)
<u>For Catalog No. 9573</u>			
178	42-60-0390	Lift Chain 2 Ton 20'	(1)
239	14-05-0040	Pushbutton & Cable Assy. 20'	(1)
240	22-64-2870	Cable Assy. 20'	(1)

WIRING



SINGLE PHASE



THREE PHASE