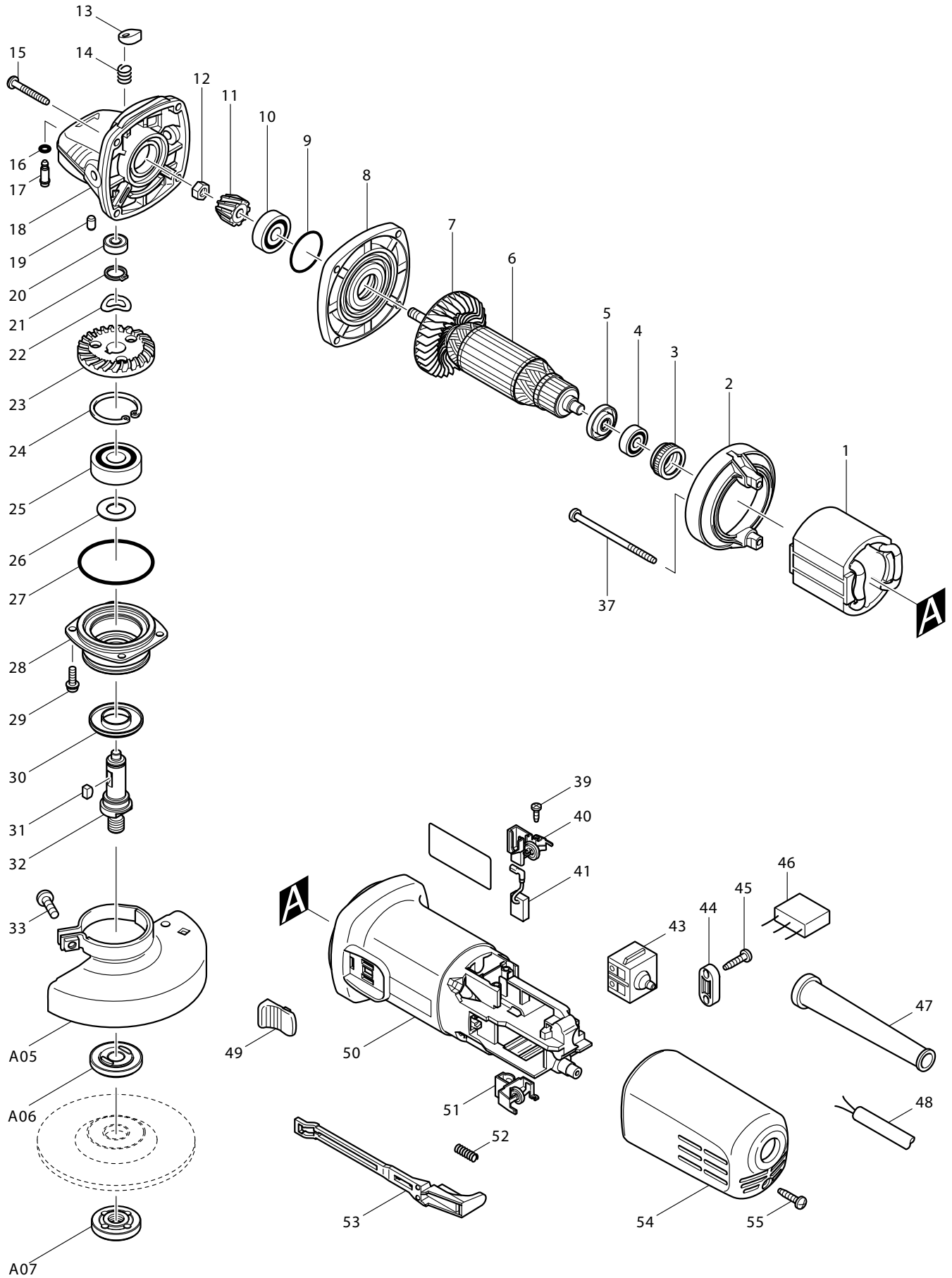




02 - 2008
9554NBK
4-1/2" DISC GRINDER W/CASE



ITEM #	PART #	QTY USED	DESCRIPTION
1	621711-0	1	FIELD
2	418795-5	1	BAFFLE PLATE
3	421868-5	1	LABYRINTH RUBBER RING 19
4	210034-7	1	BALL BEARING 607LLB
5	681636-0	1	INSULATION WASHER (OLD 681667-9)
6	515616-3	1	ARMATURE ASSY (INCLUDES ITEMS 4, 5 & 7)
7	240076-7	1	FAN 56
8	317821-6	1	GEAR HOUSING COVER
9	213445-5	1	O-RING 26
10	210042-8	1	BALL BEARING 629LLB (OLD 210071-1, 210053-3)
11	227464-5	1	SPIRAL BEVEL GEAR 10
12	252186-8	1	HEX. NUT M6
13	417771-6	1	PIN CAP
14	233376-2	1	COMPRESSION SPRING 8
15	266361-0	4	TAPPING SCREW 4X30
16	213960-9	1	O RING 5
17	256486-8	1	SHOULDER PIN 4
18	317814-3	1	GEAR HOUSING
19	263002-9	1	RUBBER PIN 4
20	210033-9	1	BALL BEARING 696ZZ
21	961052-5	1	RETAINING RING S-12
22	267794-2	1	WAVE WASHER 12
23	227505-7	1	SPIRAL BEVEL GEAR 37 (OLD 227465-3)
24	962151-6	1	RETAINING RING R-32
25	211129-9	1	BALL BEARING 6201DDW
26	267238-2	1	FLAT WASHER 12
27	213622-9	1	O RING 45
28	317819-3	1	BEARING BOX
29	265099-4	4	PAN HEAD SCREW M4X14
30	345464-4	1	LABYRINTH RING
31	254011-9	1	WOODRUFF KEY 4
32	324474-4	1	SPINDLE
33	265103-9	1	PAN HEAD SCREW M5X14
37	266325-4	2	TAPPING SCREW 4X70 (OLD 266362-8)
39	266007-8	4	TAPPING SCREW BIND PT 3X10
40	643760-7	1	BRUSH HOLDER
41	194074-2	1	CARBON BRUSH CB-325 (2PCS/SET)
43	650560-8	1	SWITCH DPX-2110-R DOUBLE
44	687123-7	1	STRAIN RELIEF
45	266326-2	2	TAPPING SCREW 4X18
47	682559-5	1	CORD GUARD 8
48	664891-9	1	CORD WITH PLUG 2P-18-2.5M
49	419566-3	1	SWITCH KNOB (OLD 418769-6)

ITEM #	PART #	QTY USED	DESCRIPTION
50	418794-7	1	MOTOR HOUSING
51	643760-7	1	BRUSH HOLDER
52	233121-5	1	COMPRESSION SPRING 4
53	418796-3	1	SWITCH LEVER C
54	418726-4	1	REAR COVER
55	266326-2	1	TAPPING SCREW 4X18

ACCESSORIES

A01	153489-2	1	GRIP 36 COM
A02	782424-9	1	LOCK NUT WRENCH 28 (OLD 782422-3)
A03	824736-5	1	PLASTIC CARRYING CASE (INCLUDES ITEM A04)
A04	182935-8	1	SLIDE LATCH (R & L) SET
A05	125273-5	1	WHEEL COVER ASSY F/4-1/2" (INCLUDES ITEM 33)
	122642-1	1	4-1/2" WHEEL GUARD FOR CUT-OFF WHEEL
A06	224399-1	1	INNER FLANGE 45
A07	224568-4	1	LOCK NUT 5/8-45
A08	-----	1	4-1/2" DEPRESSED CENTER WHEEL/MULTI DISC
A09	743036-3	1	RUBBER PAD 100
A10	-----	1	4-1/2" ABRASIVE DISC
A11	224517-1	1	SANDING LOCK NUT 5/8-48
A12	-----	1	WIRE WHEEL BRUSH
A13	-----	1	WIRE CUP BRUSH
A15	-----	1	4-3/8" CUT-OFF WHEEL
A17	-----	1	4-1/2" DIAMOND WHEEL