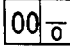




SERVICE PARTS LIST

BULLETIN NO.
54-02-0701

SPECIFY CATALOG NO. AND SERIAL NO. WHEN ORDERING PARTS		REVISED BULLETIN	DATE
1-1/2 TON LEVER HOIST		54-02-0700	Dec.'90
CATALOG NO. 9540, 9541, 9542	DATE CODE MY 8612	WIRING INSTRUCTION	
NONE			

EXAMPLE:

 Component Parts (Small #)
 Are Included When Ordering
 The Assembly (Large #).

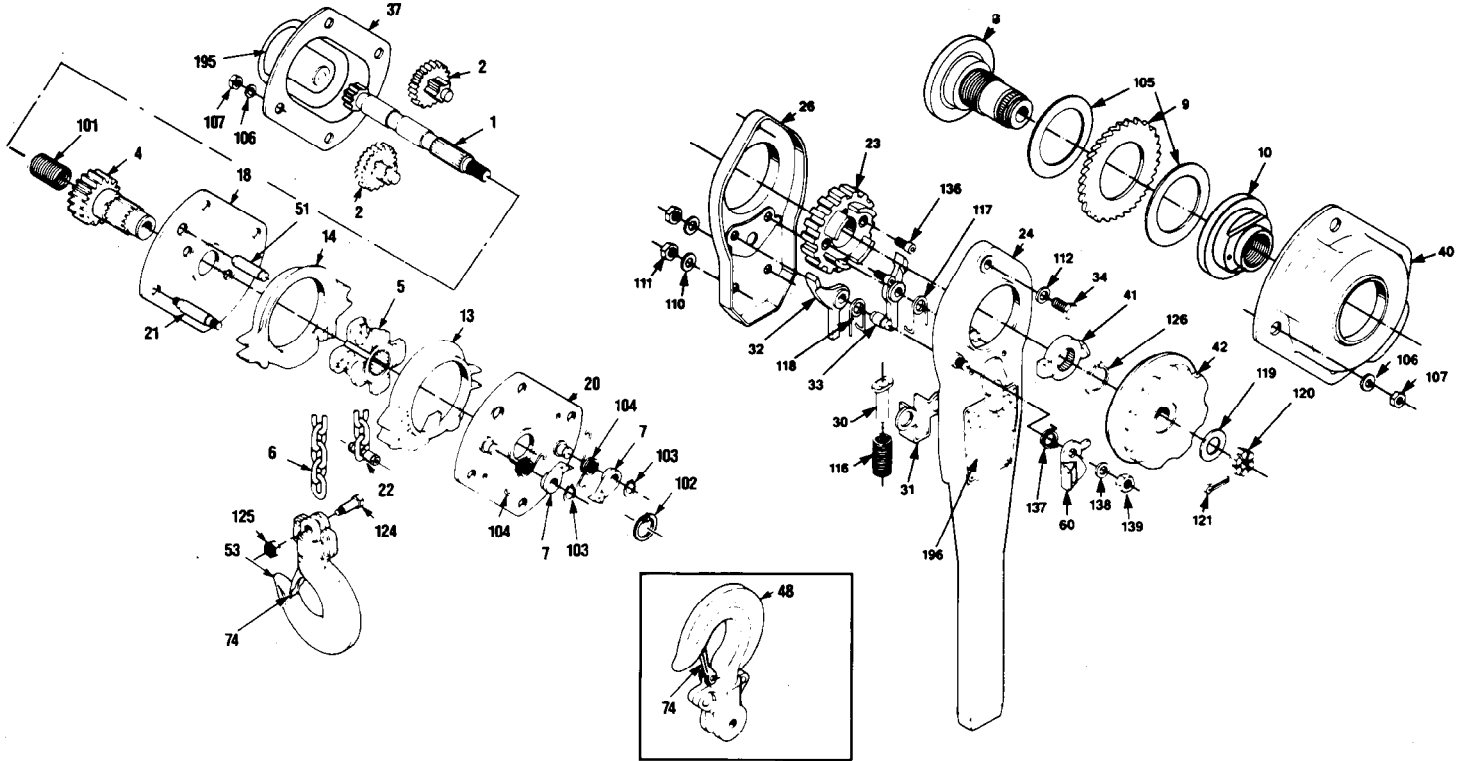


FIG.	PART NO.	DESCRIPTION OF PART	NO. REQ.	FIG.	PART NO.	DESCRIPTION OF PART	NO. REQ.
1	14-47-0470	Pinion Shaft (Incl. Fig. 101)	(1)				
2	32-60-2280	Pinion Gear	(2)				
★ 4	14-47-0221	Output Gear Kit	(1)				
★ 5	45-11-0071	Load Sheave	(1)				
7	14-47-0300	Pawl Kit (Incl. Fig. 9, 103)	(1)				
8	43-78-0370	Disc Hub	(1)				
10	45-88-8060	Disc Nut Washer	(1)				
13	14-47-0500	Chain Guide Kit (Incl. Fig. 14)	(1)				
18	44-66-5625	Gear Side Plate	(1)				
20	44-66-5640	Handle Side Plate	(1)				
21	14-47-0550	Stay Bolt Kit (Incl. Fig. 106, 107)	(4)				
22	45-52-2050	Stop	(1)				
23	14-47-0390	Disc Nut Kit (Incl. Fig. 136)	(1)				
24	14-47-0430	Operating Handle Kit (Incl. Fig. No. 26, 110, 111, 112, 196, 34)	(1)				
31	14-47-0400	Spring Shaft Kit (Incl. Fig. 30, 116)	(1)				
33	14-47-0380	Handle Pawl Kit (Incl. Fig. 32, 117, 118)	(1)				
37	42-92-0630	Gear Cover	(1)				
40	42-92-0645	Ratchet Cover	(1)				
41	14-47-0360	Parts Kit (Incl. Fig. 119, 120, 121, 126)	(1)				
42	43-98-0330	Free Chain Knob	(1)				
48	14-36-0070	Top Hook Assembly (Incl. Fig. 74)	(1)				
51	44-60-0955	Yoke Pin	(1)				
53	14-36-0110	Bottom Hook Assembly (Incl. Fig. 74, 124, 125)	(1)				
60	14-47-0410	Free Chain Lever Kit (Incl. Fig. 137, 138, 139)	(1)				
74	14-47-0250	Latch Kit	(2)				
105	14-47-0330	Brake Kit (Incl. Fig. 103, 104)	(1)				
124	14-03-0070	Chain Fastening Bolt Assembly (Incl. Fig. 125)	(1)				
195	10-37-0010	Caution Label	(1)				
						(For Catalog No. 9540)	
				196	12-40-0095	Nameplate	(1)
				6	42-60-0295	1-1/2 Ton 5 Ft. Lift Chain	(1)
						(For Catalog No. 9541)	
				196	12-40-0100	Nameplate	(1)
				6	42-60-0300	1-1/2 Ton 10 Ft. Lift Chain	(1)
						(For Catalog No. 9542)	
				196	12-40-0105	Nameplate	(1)
				6	42-60-0305	1-1/2 Ton 20 Ft. Lift Chain	(1)

MILWAUKEE ELECTRIC TOOL CORPORATION
 13135 W. LISBON RD., BROOKFIELD, WI 53005