



4" ANGLE GRINDER - M10-1.5

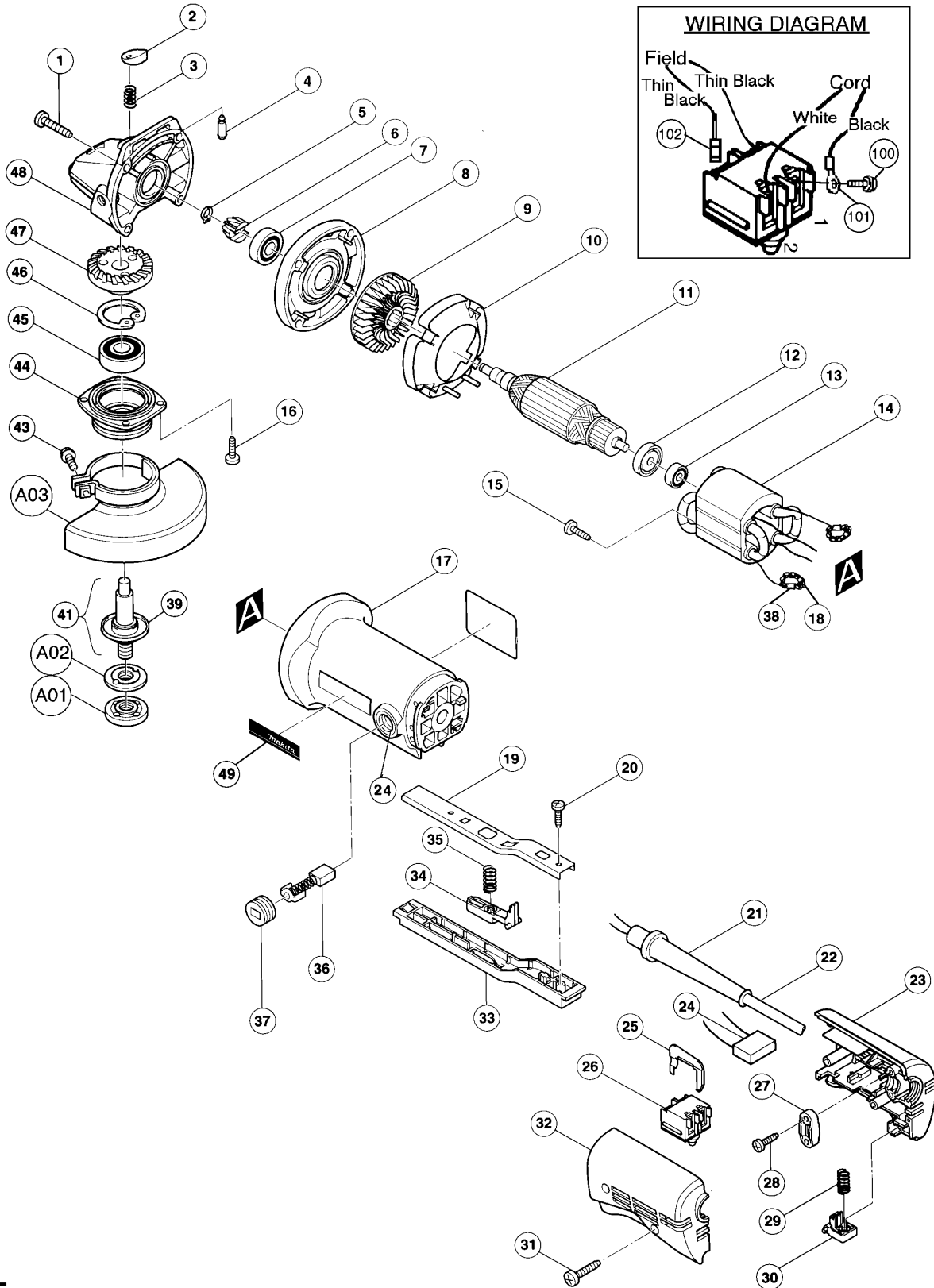
Model 9526PB** (MME)

4-1/2" ANGLE GRINDER - 5/8" - 11UNC

Model 9527PB/PBK(MME)

5" ANGLE GRINDER - 5/8" - 11UNC

Model 9528PB(MME)



10-2005

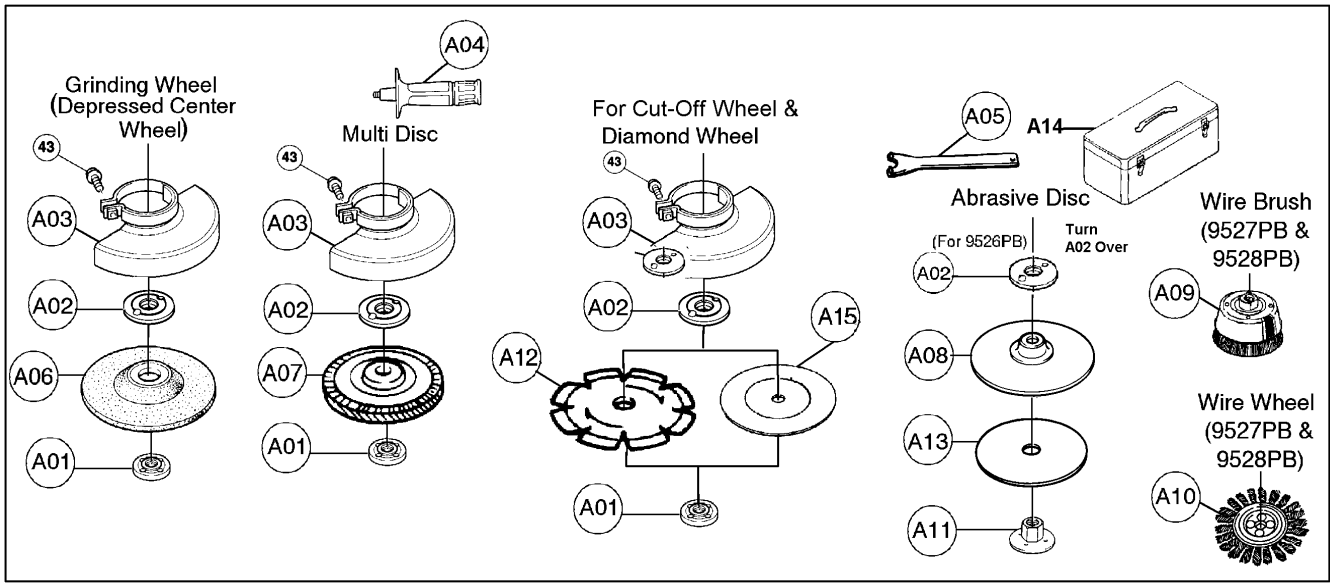
** Discontinued in 2001

Item No.	Part No.	No. Used	Description
1	266173-1	4	Tapping Screw, Flange, PF5X30 (Old 266142-2)
2	415491-6	1	Pin Cap
3	233072-2	1	Compression Spring 8
4	256437-1	1	Pin 4
5	961002-0	1	Retaining Ring S-6
6	*	1	Spiral Bevel Gear 10
7	211088-7	1	Ball Bearing 6000DDW
8	316807-7	1	Gear Housing Cover
9	241891-2	1	Fan 57
10	415971-2	1	Baffle Plate
11	517306-4	1	Armature Assy (Includes Items 9, 12 & 13)
12	681638-6	1	Insulating Washer
13	211012-0	1	Ball Bearing 606ZZ
14	521626-0	1	Field Assy (Includes Items 18 & 38)
15	266007-8	2	Tapping Screw, Bind, PT3x10
16	266034-5	4	Tapping Screw CT4x16
17	159875-5	1	Motor Housing Com. (Includes Item 24)
18	654100-4	2	Garter Spring
19	344357-2	1	Plate
20	265954-0	2	Tapping Screw, Bind, PT3x8
21	682502-4	1	Cord Guard 8-85
22	664013-1	1	Cord With Plug 2P-18-2.5M
23	182825-5	1	Rear Cover Set [(Old 415969-9 - (R))]
24	643927-7	2	Brush Holder
25	652186-2	1	Divider
26	651947-7	1	Switch
27	687063-9	1	Strain Relief
28	265995-6	2	Tapping Screw, Flange, PF4x18 (Old 266121-0)
29	231252-4	1	Compression Spring 6
30	415973-8	1	Lock-On Button
31	265999-8	2	Tapping Screw, Flange, PF4x25 (Old 266119-7)
32	182825-5	1	Rear Cover Set [Old 415970-4 -(L)]
33	415972-0	1	Switch Lever
34	415974-6	1	Lock-Off Button
35	233127-3	1	Compression Spring 7
36	191938-1	2	Carbon Brush CB-408 (2pcs/Set)
37	643928-5	2	Holder Cap
38	654501-6	2	Solderless Connector P-1.25
39	344347-5	1	Labyrinth Ring
41	152528-5	1	Spindle Com. M10-1.5 (9526PB) (Includes Item 39)
	152538-2	1	Spindle Com. 5/8" (9527PB & 9528PB) (Includes Item 39)
43	251391-4	1	P.H. Screw M5x16
44	316800-1	1	Bearing Box
45	211129-9	1	Ball Bearing 6201DDW
46	962151-6	1	Retaining Ring R-32
47	*	1	Spiral Bevel Gear 36
48	159874-7	1	Gear Housing Com. (Includes Needle Bearing 810 212043-2)(Items 2, 3 & 4 - NOT INCLUDED)
49	819063-3	1	Makita Label
100	652034-5	2	(+) P.H. Screw M3.5x2
101	654037-5	2	Insulated Eye Terminal RBV 1.25-3.5
102	654166-4	2	Receptacle
Accessories			
A01	224563-4	1	Lock Nut (9526PB) (For M10-1.5)(For D.C.W., Diamond Wheel & Multi Disc)

Item No.	Part No.	No. Used	Description
	224566-8	1	Lock Nut 5/8"-45 (Type 2)(9527PB & 9528PB) (For D.C.W., Multi Disc, C.O.W., & Diamond Wheel)
	224568-4	1	Lock Nut 5/8"-45 (Type 3) (9527PB & 9528PB) (For D.C.W., Multi Disc, C.O.W., & Diamond Wheel)
* When replacing Lock Nut make sure to use same Type of Inner Flange			
A02	224377-1	1	Inner Flange 35 (9526PB)(Old 224337-3) (For D.C.W., C.O.W.I, Diamond Wheel, & Multi Disc)
	224361-6	1	Inner Flange 82 (Type 1) (9527PB & 9528PB) (For D.C.W. & Multi Disc)
	224029-4	1	Inner Flange 40 (Type 1) (9527PB & 9528PB) (For C.O.W. & Diamond Wheel)
	224368-2	1	Inner Flange 45 (Type 2) (9527PB & 9528PB) (For D.C.W. & Multi Disc, C.O.W., & Diamond Wheel)
	224378-9	1	Inner Flange 45 (Type 3) (9527P B & 9528PB) (For D.C.W., Multi Disc, C.O.W., & Diamond Wheel)
* When replacing Lock Nut make sure to use same Type of Inner Flange			
A03	165187-6	1	Wheel Cover Assy (9526PB) (For D.C.W., Diamond Wheel & Multi Disc)
	192476-6	1	Wheel Guard For 4" Cut-Off -Wheel (9526PB)
	165053-7	1	Wheel Cover Assy (9527PB) (For D.C.W., Diamond Wheel & Multi Disc)
	125097-9	1	Wheel Cover Assy (9528PB) (For D.C.W., Diamond Wheel & Multi Disc)(With Item 43)
A04	152490-4	1	Side Handle
A05	782401-1	1	Lock Nut Wrench 20 (9526PB)
	782412-6	1	Lock Nut Wrench 28 (9527PB & 9528PB)
A06	-----	1	Depressed Center Wheel (See Catalogue for Details)
A07	-----	1	Multi Disc (See Catalogue for Details)
A08	743009-6	1	Rubber Pad (9526PB)
	743036-3	1	Rubber Pad (9527PB)
	743015-1	1	Rubber Pad (9528PB)
A09	-----	1	Wire Brush (9527PB & 9528PB) (See Catalogue for Details)
A10	-----	1	Wire Wheel (9527PB & 9528PB) (See Catalogue for Details)
A11	224502-4	1	Lock Nut 10-30 (9526PB)(For Abrasive Disc)
	224517-1	1	Lock Nut 5/8-48 (9527PB & 9528PB) (For Abrasive Disc)
A12	-----	1	Diamond Wheel (See Catalogue for Details)
A13	-----	1	Abrasive Disc (See Catalogue for Details)
A14	182875-0	1	Steel Carrying Case
	824736-5	1	Plastic Carrying Case[IncludesSliding Latch (R & L) - 182935-8](Photo N/A)
A15	-----	1	Cut-Off Wheel(See Catalogue for Details)

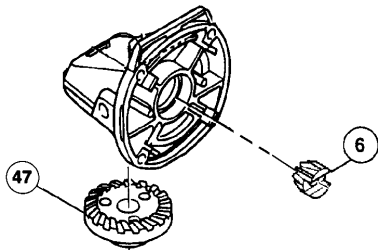
2 Model 9526PB
2 Model 9527PB/PBK
2 Model 9528PB

* SEE SERVICE CHANGES



SERVICE CHANGES

1. Change on Spiral Bevel Gear.



Item No.	Description	Type 1	Type 2
6	Spiral Bevel Gear 10	226735-7 (No Longer Available)	226748-8
47	Spiral Bevel Gear 36	226734-9 (No Longer Available)	226749-6

Above parts are completely interchangeable as a set.

3 Model 9526PB
 3 Model 9527PB/PBK
 3 Model 9528PB