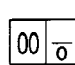




SERVICE PARTS LIST

BULLETIN NO.
54-02-0450

SPECIFY CATALOG NO. AND SERIAL NO. WHEN ORDERING PARTS		REVISED BULLETIN	DATE
3 TON HAND CHAIN HOISTS			Aug. '90
CATALOG NO. 9515, 9516, 9517	DATE CODE AC	WIRING INSTRUCTION None	

EXAMPLE:

 Component Parts (Small #) Are Included
 When Ordering The Assembly (Large #).

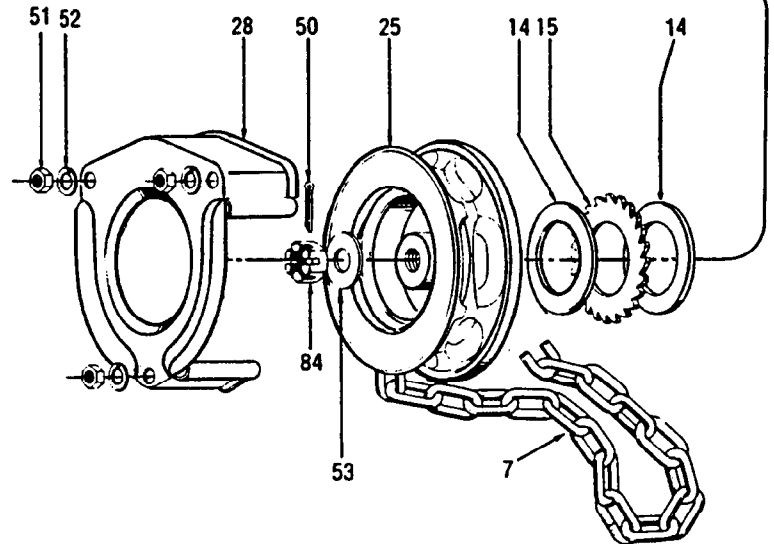
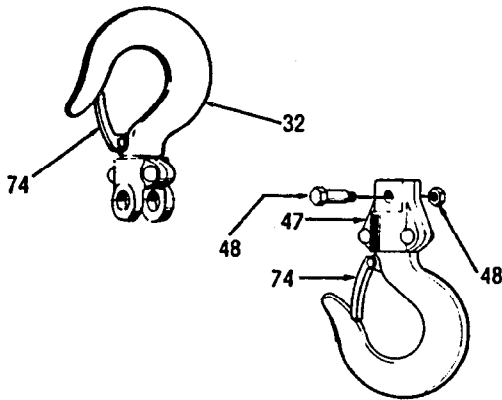
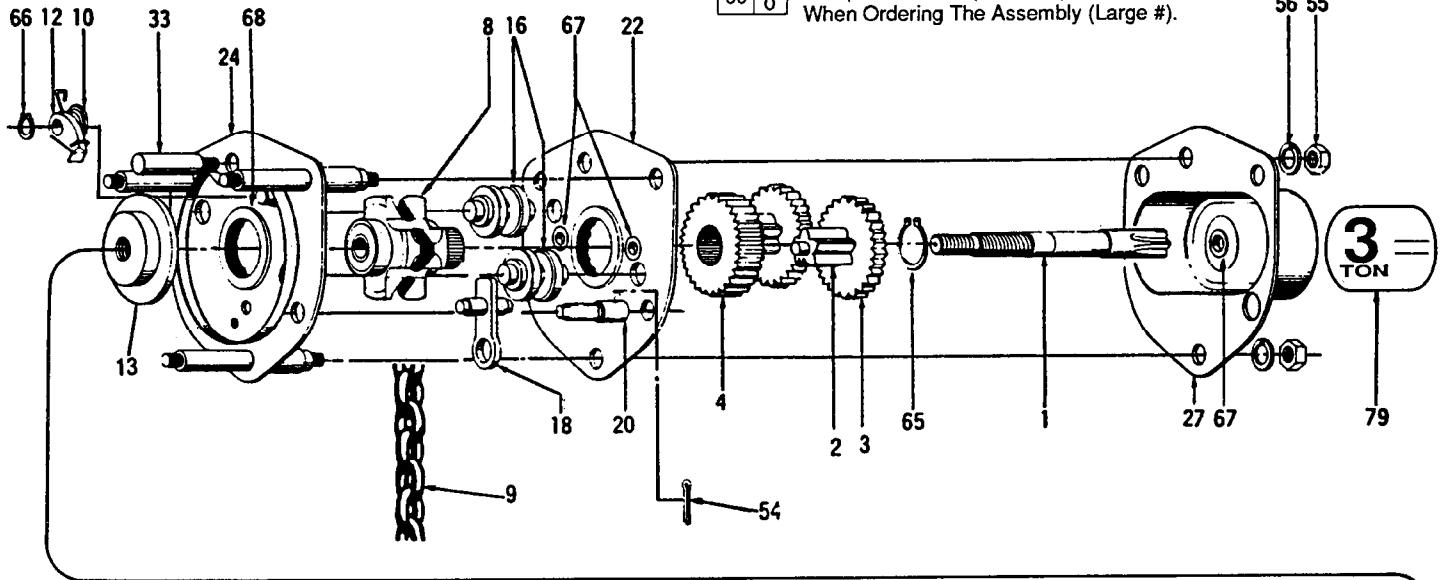


FIG.	PART NO.	DESCRIPTION OF PART	QTY.	FIG.	PART NO.	DESCRIPTION OF PART	QTY.
1	36-66-4570	Pinion Shaft	(1)	50,51,52,53,54,			
2,3	32-60-2440	Pinion Gear	(2)	55,56,65,84	14-47-0730	Hoist Fastening Repair Kit	(1)
4	32-60-2490	Load Gear	(1)	67	42-24-0460	Pinion Bearing	(4)
7	42-60-0540	17' Hand Chain (9515)	(1)	68	42-24-0510	Sheave Bearing	(2)
	42-60-0550	28' Hand Chain (9516)	(1)	74	14-47-0780	Hoist Latch Kit	(1)
	42-60-0560	38' Hand Chain (9517)	(1)	16,18,20	14-47-0830	Chain Guide Kit	(1)
8	45-11-0150	Load Sheave	(1)	22	44-66-5800	Gear Side Plate	(1)
9	42-60-0490	11' 3" Load Chain (9515)	(1)	24	44-66-5850	Wheel Side Plate	(1)
	42-60-0500	16' Load Chain (9516)	(1)	25	45-94-0345	Handwheel	(1)
	42-60-0510	21' Load Chain (9517)	(1)	27	42-92-0870	Gear Cover	(1)
10,12,66	14-47-0660	Pawl Kit	(1)	33	44-60-1230	Yoke Pin	(1)
13	43-78-0415	Disc Hub	(1)	79		Nameplate	(1)
14	43-06-0610	Friction Disc	(2)				
15	44-84-0280	Ratchet	(1)				
28	42-92-0820	Handwheel Cover	(1)				
32,74	43-74-0175	Top Hook	(1)				
47,48,74	14-36-0230	Bottom Hook Assembly	(1)				
48	14-03-0120	Chain Fastening Bolt Assembly	(1)				

MILWAUKEE ELECTRIC TOOL CORPORATION
 13135 W. LISBON RD., BROOKFIELD, WI 53005