

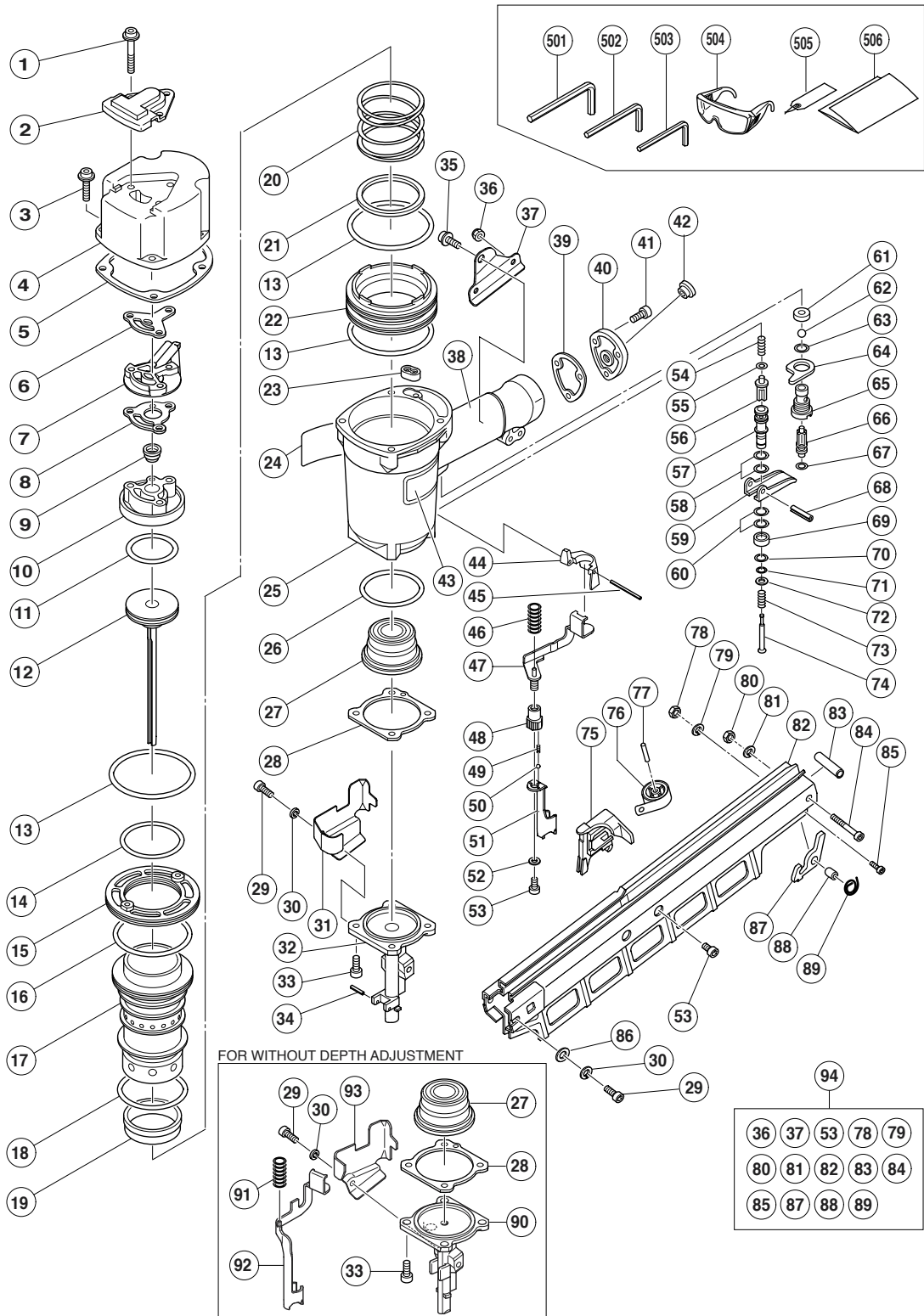
PNEUMATIC TOOL PARTS LIST

STRIP NAILER

2006 · 4 · 14

Model NR 83A2

(E2)



PARTS

NR 83A2

ITEM NO.	CODE NO.	DESCRIPTION	NO. USED	REMARKS	
1	883-509	HEX. SOCKET HD. BOLT (W/FLANGE) M6X45	3		
2	877-330	TOP COVER	1		
3	883-507	HEX. SOCKET HD. BOLT (W/SP. WASHER) M6X25	4		
4	877-324	EXHAUST COVER	1		
5	877-325	GASKET (B)	1		
6	877-329	GASKET (F)	1		
7	877-328	EXHAUST PIECE	1		
8	877-854	GASKET (C)	1		
9	884-110	EXHAUST VALVE (ORANGE)	1		
10	877-307	HEAD CAP AND GASKET SET	1	INCLUD. 8	
11	877-368	O-RING (1AP-48)	1		
12	877-323	PISTON	1		
13	877-316	O-RING (S-90)	3		
14	877-312	CYLINDER O-RING (I.D 63.1)	1		
15	877-318	CYLINDER PLATE	1		
16	877-313	CYLINDER O-RING (I.D 79.3)	1		
17	884-068	CYLINDER	1		
18	877-314	CYLINDER O-RING (I.D 69.3)	1		
19	877-317	CYLINDER RING	1		
20	877-321	CYLINDER SPRING	1		
21	877-322	BASE WASHER	1		
22	877-310	CYLINDER GUIDE	1		
23	877-327	GASKET (G)	1		
24	884-070	WARNING LABEL	1		
25	883-506	BODY ASS'Y	1	INCLUD. 38	
26	877-315	CYLINDER O-RING (I.D 63.9)	1		
27	883-511	PISTON BUMPER (B)	1		
28	877-334	GASKET (A)	1		
29	878-426	HIGH TENSION BOLT M6X18	2		
30	949-455	SPRING WASHER M6 (10 PCS.)	2		
31	884-061	GUARD (A)	1		
*	32	884-060	NOSE	1	FOR WITH DEPTH ADJUSTMENT TYPE
33	883-492	NYLOCK HEX. SOCKET HD. BOLT M8X22	4		
*	34	949-518	ROLL PIN D3X18 (10 PCS.)	1	FOR WITH DEPTH ADJUSTMENT TYPE
35	883-505	NYLOCK BOLT (W/FLANGE) M8X16	1		
36	963-837	NYLON NUT M6	2		
37	884-066	HANDLE ARM (B)	1		
38		GRIP RUBBER	1	(SUPPLIED WITH ITEM NO. 601, 602)	
39	877-331	GASKET (D)	1		
40	878-311	CAP	1		
41	949-658	HEX. SOCKET HD. BOLT M5X18 (10 PCS.)	3		
42	872-035	DUST CAP	1		
43		NAME PLATE	1		
44	884-119	GUARD (B)	1		
45	884-025	ROLL PIN D3X45	1		
*	46	884-067	SPRING	1	FOR WITH DEPTH ADJUSTMENT TYPE
*	47	884-063	PUSHING LEVER (B)	1	FOR WITH DEPTH ADJUSTMENT TYPE
*	48	884-064	ADJUSTER	1	FOR WITH DEPTH ADJUSTMENT TYPE
*	49	880-175	ADJUSTER SPRING	2	FOR WITH DEPTH ADJUSTMENT TYPE
*	50	959-148	STEEL BALL D3.175 (10 PCS.)	2	FOR WITH DEPTH ADJUSTMENT TYPE
*	51	884-062	PUSHING LEVER (A)	1	FOR WITH DEPTH ADJUSTMENT TYPE

