

## Angle Grinder - F 012 941 099 - 9410 TYPE 1

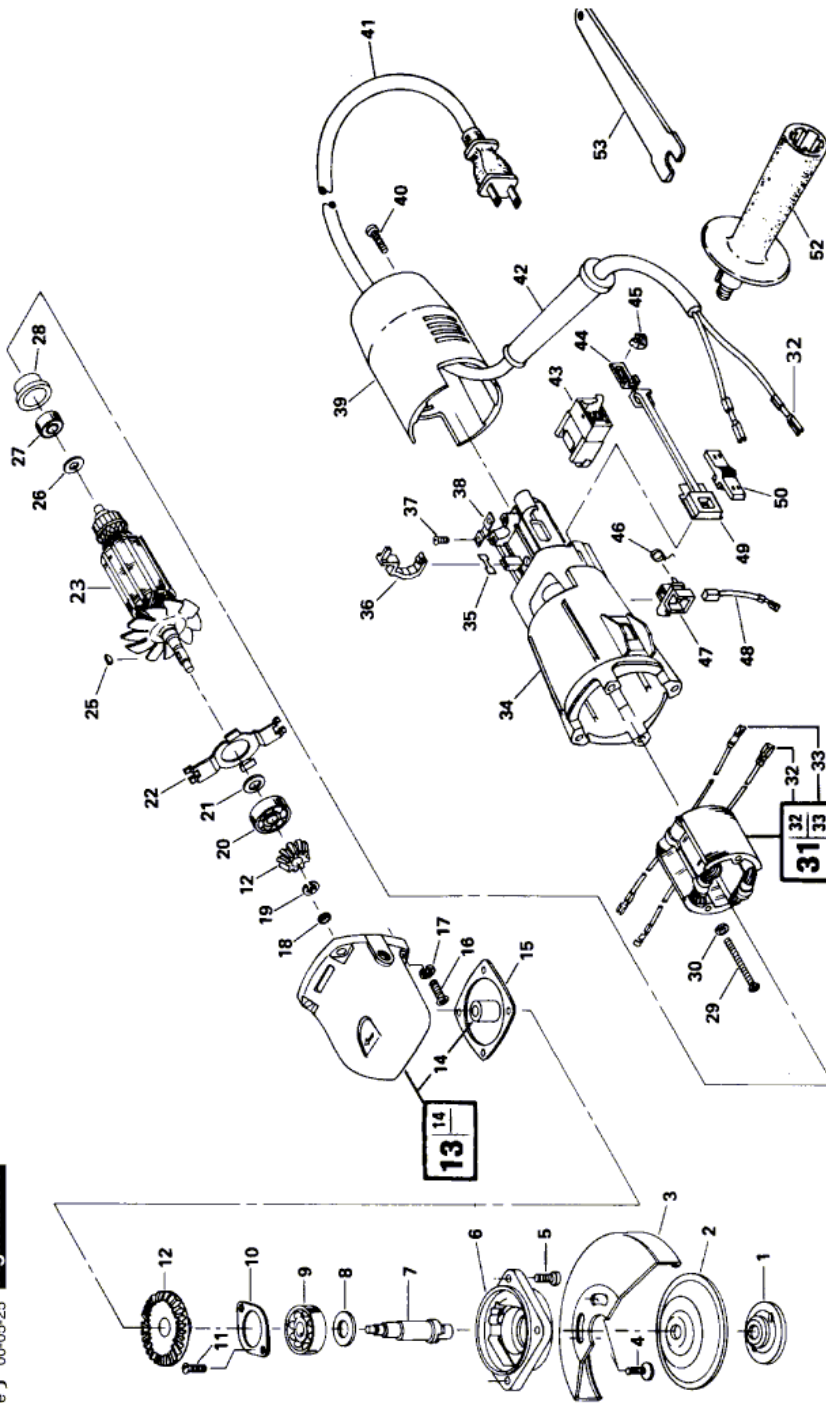
Item	Part Number	Description	Illustration	Price	Quantity	Price Group
1	2 610 350 550	Self-locking nut	1	-,-	1	-
2	2 610 350 551	Flange	1	-,-	1	-
3	2 610 099 401	Cover	1	-,-	1	-
4	2 610 350 585	Screw	1	-,-	2	-
5	2 610 350 586	Screw	1	-,-	4	-
6	2 610 350 553	Bearing Housing	1	-,-	1	-
7	2 610 350 554	Spindle	1	-,-	1	-
8	2 610 350 581	Washer	1	-,-	1	-
9	2 610 350 582	Ball Bearing	1	-,-	1	-
10	2 610 350 555	Bearing Flange	1	-,-	1	-
11	2 610 350 587	Screw	1	-,-	2	-
12	2 610 350 556	Set Of Gears	1	-,-	1	-
13	2 610 356 729	Gear Housing	1	-,-	1	-
14	2 610 350 583	Bearing	1	-,-	1	-
15	2 610 350 558	Shim	1	-,-	1	-
16	2 610 350 588	Screw	1	-,-	4	-
17	2 610 327 875	Washer	1	-,-	1	-
18	2 610 318 831	Nut	1	-,-	1	-
19	2 610 318 832	Locking Washer	1	-,-	1	-
20	2 610 350 584	Ball Bearing	1	-,-	1	-
21	2 610 350 564	Washer	1	-,-	1	-
22	2 610 350 560	Bearing Flange	1	-,-	1	-
23	2 610 350 561	Armature 120V	1	-,-	1	-
25	2 610 318 808	Woodruff Key	1	-,-	1	-
26	2 610 350 590	Washer	1	-,-	1	-
27	2 610 067 674	Ball Bearing	1	-,-	1	-
28	2 610 318 840	Brush-Cover	1	-,-	1	-
29	2 610 350 563	Screw	1	-,-	2	10
30	2 610 318 830	Locking Washer	1	-,-	2	-
31	2 610 350 565	Stator 120V	1	-,-	1	-
32	2 610 350 594	Terminal	1	-,-	4	-
33	2 610 350 595	Terminal	1	-,-	2	-
34	2 610 905 372	Housing	1	-,-	1	-

Item	Part Number	Description	Illustration	Price	Quantity	Price Group
35	2 610 350 593	Terminal	1	-,-	1	-
36	2 610 350 569	Spring retaining ring	1	-,-	1	-
37	2 610 318 846	Screw	1	-,-	2	10
38	2 610 326 142	Clamp	1	-,-	1	-
39	2 610 905 371	Cover	1	-,-	1	-
40	2 610 350 589	Screw	1	-,-	2	-
41	2 610 350 577	Power supply cord	1	-,-	1	-
42	2 610 318 856	Grommet	1	-,-	1	-
43	2 610 350 575	Toggle Switch	1	-,-	1	28
44	2 610 350 573	Linkage	1	-,-	1	-
45	2 610 350 574	Insulator	1	-,-	1	-
46	2 610 350 570	Spring	1	-,-	2	-
47	2 610 350 567	Brush Holder	1	-,-	2	-
48	2 610 350 568	Carbon Brush 1 PIECE	1	-,-	1	-
49	2 610 350 572	On-Off Switch	1	-,-	1	-
50	2 610 350 571	Toggle Switch	1	-,-	1	-
52	2 610 350 578	Auxiliary Handle	1	-,-	1	-
53	2 610 072 033	Spindle	1	-,-	1	-

F012941099

Stand }  
Issue }

00-05-25  
**Fig./Abb. 1**



Änderungen vorbehalten  
Modifications reserved  
Modifications reserves  
Salvo modificaciones