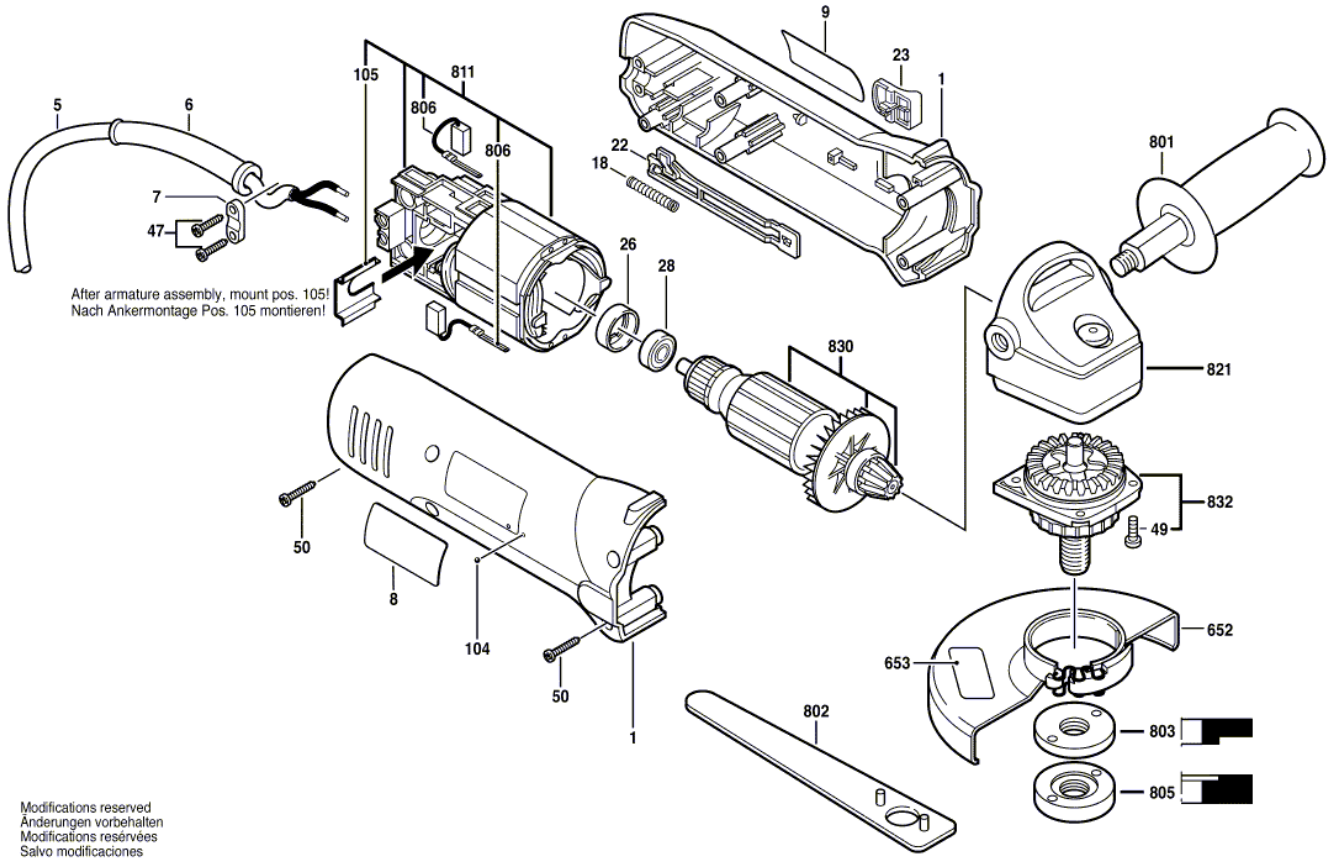


F012 932 5AA  
Issue } 01-06-13  
Stand } **Fig./Abb. 1**



Pos.	Part Number	Description	Pos.	Part Number	Description
1	1 605 108 232	Housing Section			
5	1 619 P00 074	Power supply cord			
6	2 600 703 013	Grommet			
7	2 601 035 001	Cable Clip			
8	1 601 118 C37	Nameplate			
9	1 601 106 927	Nameplate			
18	1 604 611 026	Compression Spring			
22	1 602 319 014	Adjusting Slide			
23	1 602 026 080	Switch Handle			
26	1 600 502 020	Rubber Bushing			
28	2 609 001 630	Deep-Groove Ball Bearing			
47	1 619 P00 029	Screw			
49	1 603 435 068	Thread-forming tap. Screw			
50	1 619 P00 105	Screw			
104	1 619 P00 083	Ball			
105	1 600 591 034	Intermediate Plate			
652	2 609 000 390	Protective Cover			
653	1 601 118 C35	Reference Plate			
801	1 602 025 027	Auxiliary Handle			
802	1 619 P08 927				
803	3 603 340 503	Round Nut			
805	3 603 340 501	Clamping-Flange			
806	1 607 000 994	Carbon-Brush Set			
811	1 607 000 722	Field			
821	1 607 000 728	Gear Housing			
830	1 607 000 997	Armature			
832	1 607 000 720	Grinding Spindle			