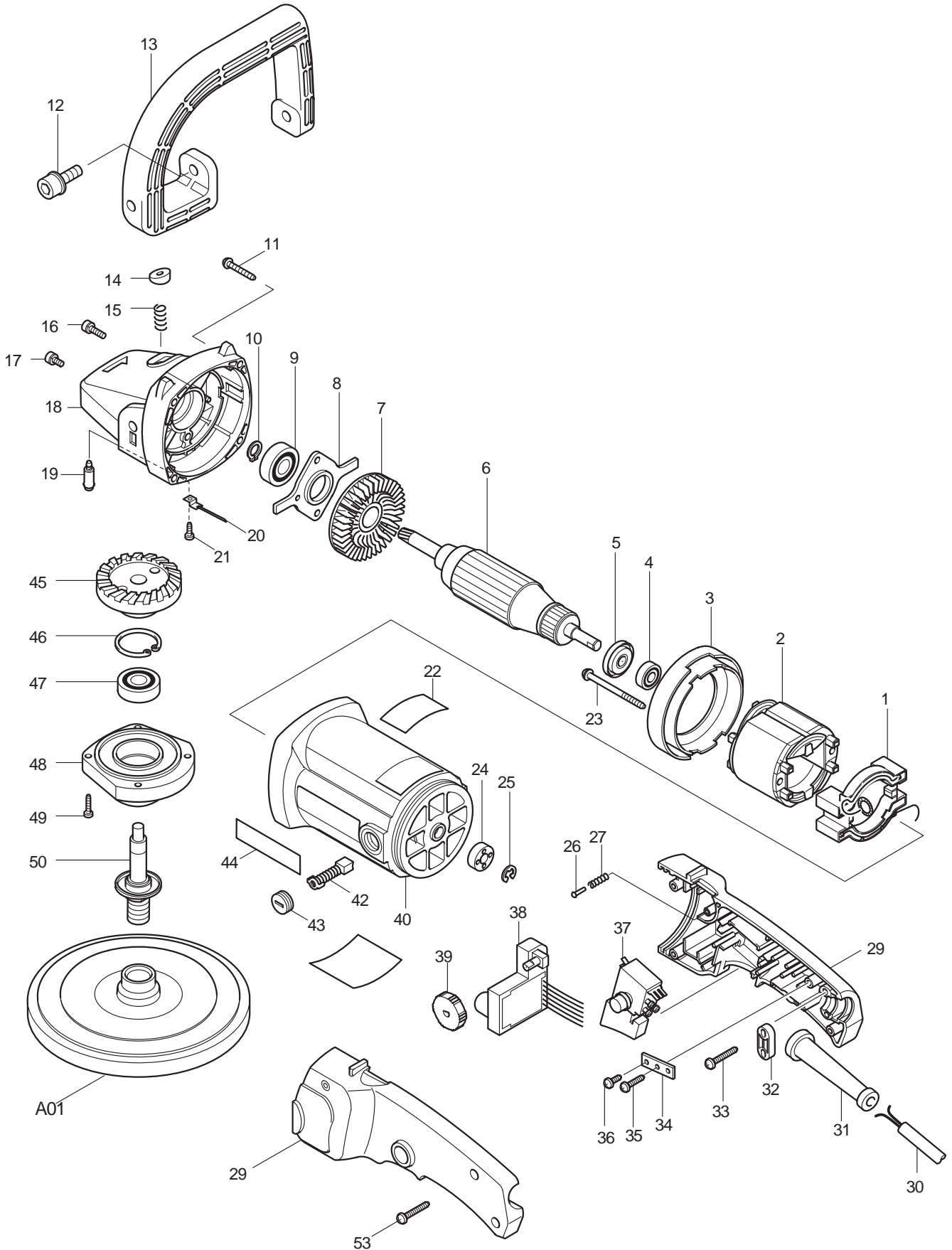




04 - 2010
9227C / 9227CZ
7" SANDER POLISHER



Item No	Type	Ref	Part No	Description	Qty	Unit
1			539168-0	SUPPORT ASSY (MJ)	1	PC.
		INC.	632679-5	SUPPORT COM	1	PC.
		INC.	654020-2	RING TERMINAL	1	PC.
		INC.	654501-6	CONNECTOR P-1.25	1	PC.
1A			539186-8	SUPPORT ASSY (MCA)	1	PC.
		INC.	632679-5	SUPPORT COM	1	PC.
		INC.	654020-2	RING TERMINAL	1	PC.
		INC.	654555-3	CONNECTOR 34130	1	PC.
2			634291-7	FIELD	1	PC.
3			416253-5	BAFFLE PLATE	1	PC.
4			211031-6	BALL BEARING 608LLB	1	PC.
5			681644-1	INSULATION WASHER	1	PC.
6			516306-1	ARMATURE ASSY	1	PC.
		INC.		Item No. 4, 5, 7		
7			240002-6	FAN 70	1	PC.
8			285687-1	BEARING RETAINER 48	1	PC.
9			211106-1	BALL BEARING 6201LLB	1	PC.
10			961052-5	RETAINING RING S-12	1	PC.
11			266012-5	TAPPING SCREW 5X35	4	PC.
12			266171-5	HEX. SOCKET HEAD BOLT M8X25	2	PC.
13			416256-9	LOOP HANDLE	1	PC.
14			415491-6	PIN CAP	1	PC.
15			233072-2	COMPRESSION SPRING 8	1	PC.
16	1		911223-4	PAN HEAD SCREW M5X16	1	PC.
16	2		911221-8	PAN HEAD SCREW M5X16 (OLD# 911223-4)	1	PC.
17	1		911213-7	PAN HEAD SCREW M5X12	1	PC.
17	2		911211-1	PAN HEAD SCREW M5X12 (OLD# 911213-7)	1	PC.
18			159951-5	GEAR HOUSING COM.	1	PC.
19	1		256446-0	* PIN 6	1	PC.
19	2		256504-2	* SHOULDER PIN 9 (OLD# 256446-0)	1	PC.
20			632783-0	LEAD UNIT	1	PC.
21			652014-1	PAN HEAD SCREW M4X8	1	PC.
22			816330-7	INDICATION LABEL	1	PC.
23			266038-7	TAPPING SCREW 5X70	2	PC.
24			688110-9	MAGNET SLEEVE	1	PC.
25			961012-7	STOP RING E-6	1	PC.
26			255058-6	RIVET 2	1	PC.
27			233002-3	COMPRESSION SPRING 3	1	PC.
29			182917-0	HANDLE SET	1	SET
30			664625-0	CORD WITH PLUG 3P-18-2.5M, SJ	1	PC.
31	1		682502-4	CORD GUARD 8-85	1	PC.
	2		682503-2	CORD GUARD 8-90	1	PC.
	3		682572-3	CORD GUARD 8	1	PC.
32			687063-9	STRAIN RELIEF	1	PC.
33			265995-6	TAPPING SCREW 4X18	2	PC.
34			654571-5	TERMINAL BLOCK	1	PC.
35			265995-6	TAPPING SCREW 4X18	1	PC.
36			652014-1	PAN HEAD SCREW M4X8	2	PC.
37			651282-3	SWITCH	1	PC.
38			631226-9	* CONTROLLER (MJ)	1	PC.
				* (RECEPTACLE & SPLICE ARE NOT INCLUDED)		
38A			631801-1	* CONTROLLER (MCA)	1	PC.
		INC.	654025-2	* RECEPTACLE FS2.8B-1.25-5	1	PC.
		INC.	654622-4	* SPLICE	1	PC.

Item No	Type	Ref	Part No	Description	Qty	Unit
39			271417-6	DIAL 28	1	PC.
40	1		182918-8	MOTOR HOUSING SET	1	PC.
		INC.	643708-9	BRUSH HOLDER 5-11	2	PC.
		INC.		Item No. 22, 44		
	2		187584-6	MOTOR HOUSING SET	1	PC.
		INC.	643708-9	BRUSH HOLDER 5-11	2	PC.
		INC.		Item No. 22, 44		
42	1		191963-2	CARBON BRUSH CB-303 2PC/SET (W/O ORIGIN) -N/L/A	1	SET
	2		194996-6	CARBON BRUSH CB-303 2PC/SET (W/ ORIGIN)	1	SET
43			643750-0	BRUSH HOLDER CAP	2	PC.
44			819001-5	MAKITA LABEL, ENG (OLD)	2	PC.
45	1		226744-6	* SPIRAL BEVEL GEAR 52 - N/L/A	1	PC.
	2		227512-0	* SPIRAL BEVEL GEAR 52	1	PC.
46			962151-6	RETAINING RING R-32	1	PC.
47			211106-1	BALL BEARING 6201LLB	1	PC.
48			316896-2	BEARING BOX	1	PC.
49			266034-5	TAPPING SCREW CT 4X16	4	PC.
50			152552-8	SPINDLE COM. 5/8-11UNC	1	PC.
		INC.	344347-5	LABYRINTH RING	1	PC.
53			265995-6	TAPPING SCREW 4X18	4	PC.
100			654509-0	CONNECTOR 2-SD (MJ)	1	PC.
102			654038-3	INSULATED TERMINALFT1.25-M4	2	PC.
103			654551-1	CONNECTOR(MJ)	3	PC.
	Opt.		654042-2	NON-INSULSTED SLEEVE(MJ)(OPTIONAL)	3	PC.
100A			654558-7	INSULATED END CONNECTOR (MCA)	1	PC.
102A			654114-3	TERMINAL 31886(MCA)	2	PC.
103A			654622-4	SPLICE(MCA)	3	PC.

ACCESSORIES

- See Catalogue or visit www.makita.ca for more accessories -

A01			743052-5	BACKING PAD 165 (HOOK&LOOP)	1	PC.
A02			783204-6	HEX. WRENCH 6	1	PC.
A03			262542-4	SLEEVE 18	1	PC.
A04			153489-2	GRIP 36 COMPLETE	1	PC.
A05			192629-7	WOOL PAD 180 SET(HOOK&LOOP)	1	SET
A06			743012-7	RUBBER PAD(CONVENTIONAL)	1	PC.
A07			794176-0	WOOL BONNET 180 (CONVENTIONAL)	1	PC.
A09			193048-0	SANDING LICK NUT 5/8-48	1	PC.
A10			782412-6	LOCK NUT WRENCH 28	1	PC.
A11			T-01220	FOAM POLISHING PAD,HARD DNSTY	1	PC.
			T-01236	FOAM POLISHING PAD,MED DENSTY	1	PC.
			T-01242	FOAM POLISHING PAD,MED DENSTY	1	PC.
A12			7286	24" TOOL BOX W/METAL LATCH	1	PC.

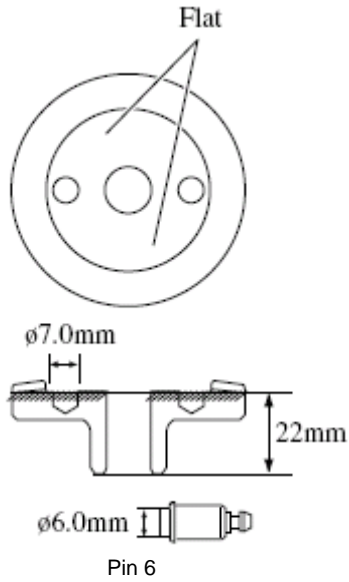
SERVICE CHANGES

1. Changes on Spiral Bevel Gear and Pin

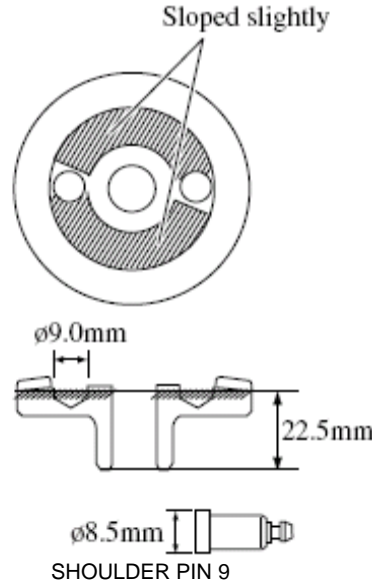
Item No.	Description	Type 1	Type 2
19	Pin	256446-0	256504-2
45	Spiral Bevel Gear 52	226744-6 - N/L/A	227512-0

Above parts are completely interchangeable as a set.

Type1



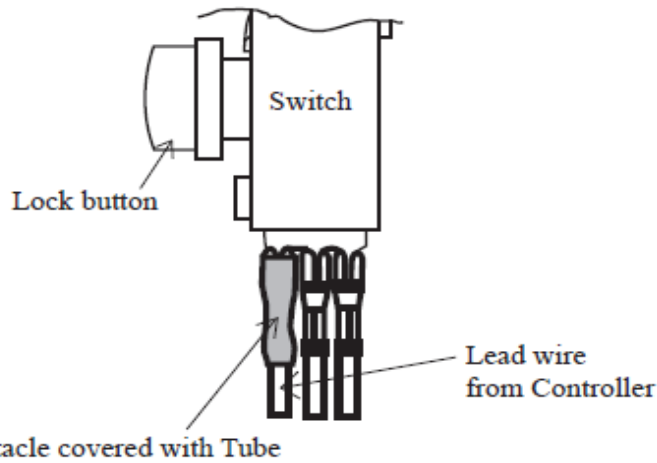
Type2



2. Changes on Spiral Bevel Gear and Pin

Item No.	Description	Type 1	Type 2
38	Controller (MJ)		631226-9
38A	Controller (MCA)		631801-1

Parts number remain the same.



The receptacle with tube must be connected to Terminal ① on the nearest side to Lock button as drawn above.