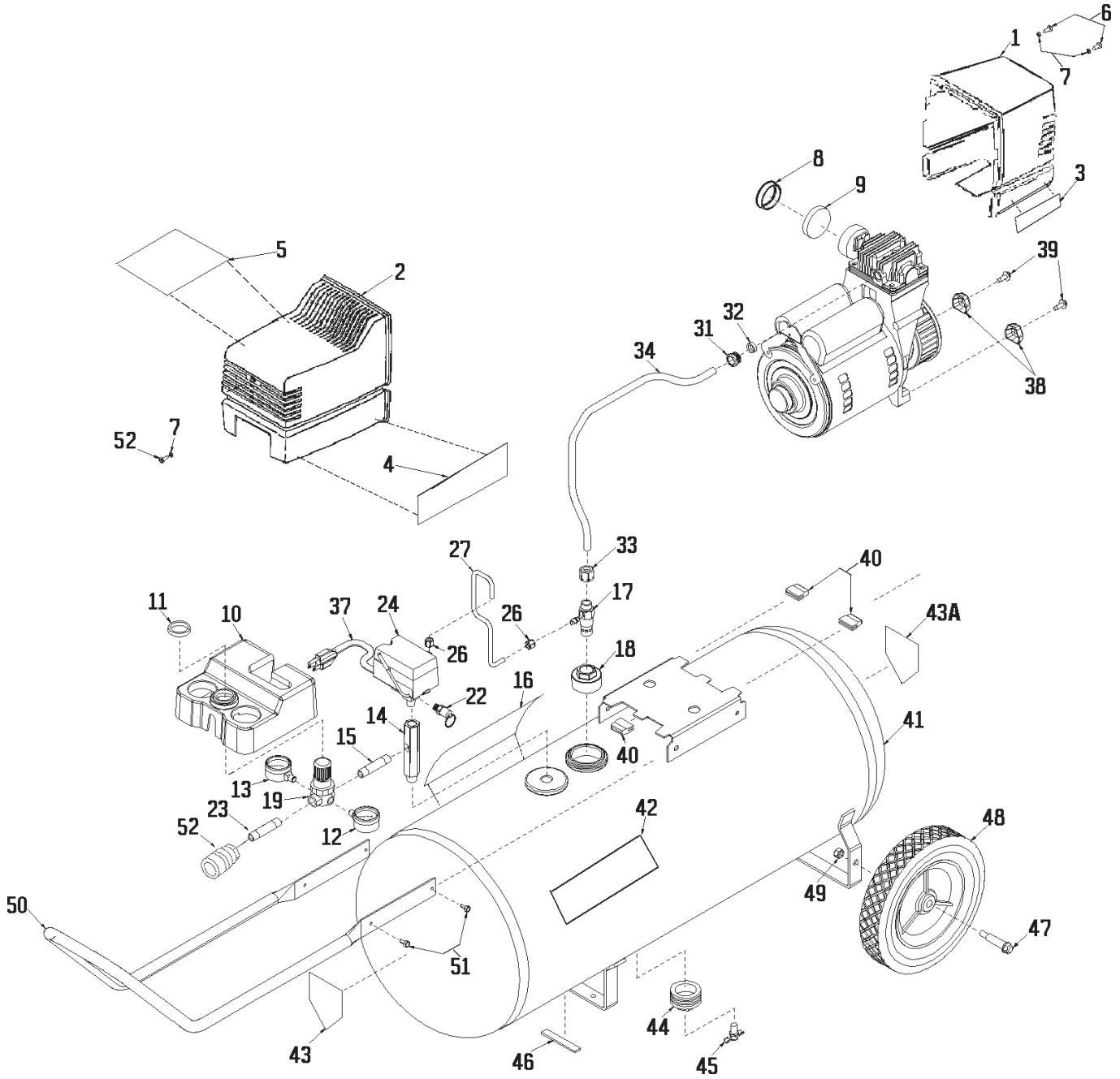
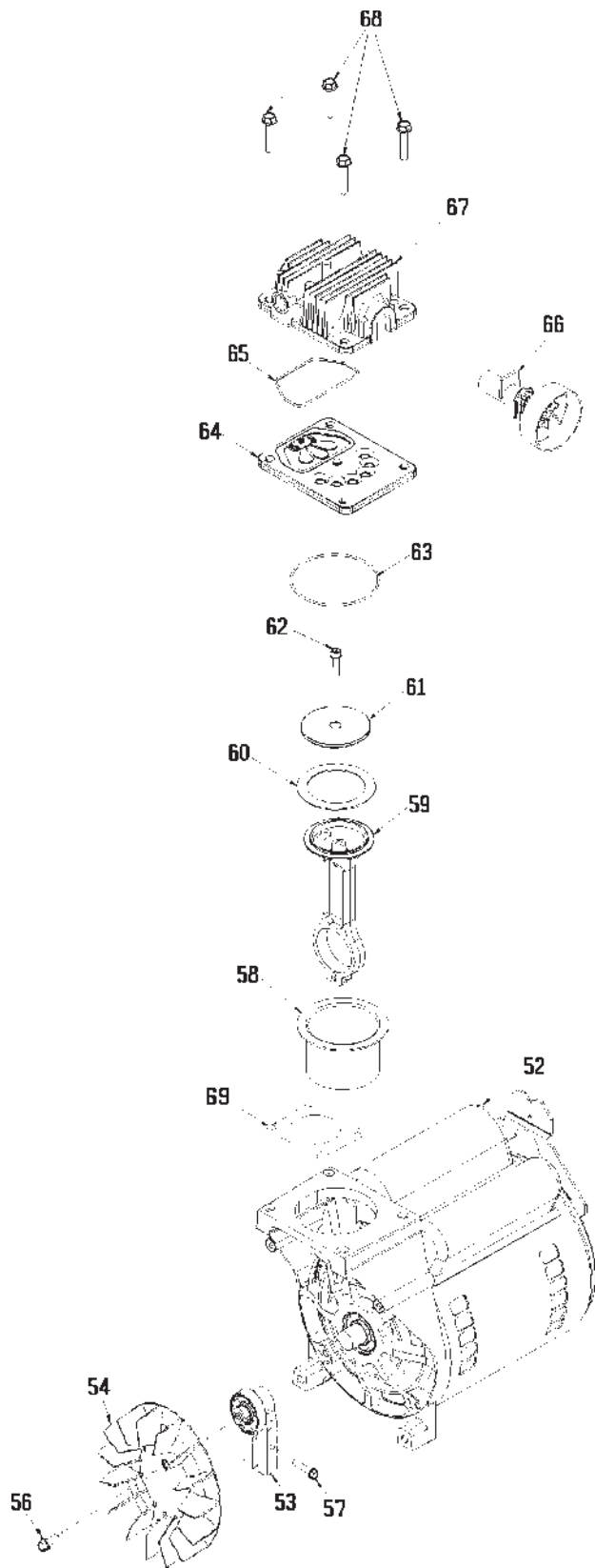


# AIR COMPRESSOR DIAGRAM



# COMPRESSOR PUMP DIAGRAM



# PARTS LIST

<b>KEY NO.</b>	<b>QUANTITY</b>	<b>PART NUMBER</b>	<b>DESCRIPTION</b>
1	1	CAC-1317	Shroud, Front
2	1	AC-0029	Shroud, Rear
3	1	D21112	Label, Performance
4	1	D21113	Label, Billboard
5	1	LA-2631-2	Label, Maintenance
6	1	SSF-553-1	Screw #10-24x9/16 Pan HD (Torque 15-35 in./lbs.)
7	1	SSG-3102	O-ring
x 8	1	CAC-1373	Filter Retainer
x 9	1	CAC-1372	Filter Foam
10	1	AC-0012	Console, Shroud
11	1	CAC-61	Ring Panel Mounting
12	1	Z-AC-0009-1	Gauge RT hand
13	1	Z-AC-0010-1	Gauge LT hand
14	1	AC-0027-2	Stand Pipe
15	1	SSP-480	Nipple, 1/4 x 2.5"
16	1	LA-2632-1	Label Warning
17	1	AC-0631	Check Valve
18	1	SSP-485-1	Reducer
19	1	Z-AC-0007	Regulator
22	1	97503734	Safety Valve
23	1	SS-2071	Nipple
24	1	Z-AC-0758	Pressure Switch
26	2	SSP-7811	Nut/Sleeve Assy.
27	1	D21074	Pressure Relief Tube
31	1	SSP-7821-1	Nut Tubing (Torque 120-140 in./lbs.)
32	1	SSG-3105	O-Ring
33	1	SSP-7813	Nut/Sleeve Assy. (Torque—hand tight plus one turn)
34	1	AC-0097	Outlet Tube
37	1	SUDL-413-2	Cord Assembly
38	2	ACG-18	Cup, Saddle Mount
39	2	91895680	Screw, 1/4-20 x .75 (Torque 9-12 ft./lbs.)
40	3	ACG-19	Isolator
41	1	Z-TA-4431	Tank - 33 Gal. (U.S.)
42	1	LA-3105	Label, Sears Craftsman
43A	1	LA-2633	Label, Drain Tank (French)
43	1	LA-1978	Label, Drain Tank
44	1	SSP-470-1	Hex Reducer Bushing
45	1	SS-2707	Drain Valve
46	1	SUDL-6-1	Strip, Rubber Foot
47	2	SSF-632	Shoulder Bolt
48	2	AC-0581	Wheel, 10"
49	2	SSF-8080-ZN	Nut, Hex 3/8"
50	1	AC-0564	Handle
51	4	SSF-981	Screw
52	1	D21109	Quick Connect

x Key No's. 8 and 9 can be purchased as KK-5041 Muffler/Foam Kit

# PARTS LIST

<b>KEY NO.</b>	<b>QUANTITY</b>	<b>PART NUMBER</b>	<b>DESCRIPTION</b>
52	1	Z-MO-9083	Motor
53	1	Z-AC-0140	Eccentric Bearing Assy.
54	1	AC-0108	Fan Kit
56	1	SSF-586	Screw 1/4 - 20 (Torque 100-120 in./lbs.)
57	1	SSF-615	Screw (Eccentric, Torque 100-120 in./lbs.)
+•58	1	AC-0788	Sleeve, Cylinder
•59	1	ACG-2	Connecting Rod
+•60	1	DAC-308	Compression Ring
•61	1	ACG-29	Connecting Rod Cap
+•62	1	SSF-3158-1	Screw, #10-24 (Torque 61-70 in./lbs.)
+ 63	1	SSG-8156	O-ring
64	1	Z-AC-0032	Valve Plate Assy.
+•65	1	ACG-45	O-ring, Head
66	1	CAC-1371	Muffler
67	1	AC-0037	Head
68	4	SSF-927	Screw 1/4" - 20 x 1 1/4" (Torque 7-10 ft./lbs.)
69	1	DAC-161	Shim Rolled Edge

- Key No's. 58, 59, 60, 61, 62, and 65 can be purchased as KK-4835 Connecting Rod Kit.
- + Key No's 58, 60, 62, 63, and 65 can be purchased as K-0650, Compression Ring Kit.

### **NOT ILLUSTRATED**

D21114	Owners Manual
D21111	Label Specification

### **ACCESSORIES**

9-18823	Ratchet
919-15520-1	Spray Gun
AH60	Hose
AC90	Quick Connect Body, Female
AC100	Quick Connect Plug, Male
AC110	Quick Connect Plug, Female (Qty 2)
AC-0625	Teflon Tape