

101 ORIENT WITH VENTS DOWNWARD AS SHOWN

102

103 TORQUE 204-264 IN-LBS

105 TORQUE UNTIL THREADS RUN OUT

109

110 TORQUE 60-70 IN-LBS

112 TORQUE 30-40 IN-LBS

SHOWN FOR REFERENCE ONLY

104

106

107

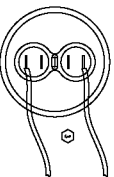
108 TORQUE 120-144 IN-LBS

113

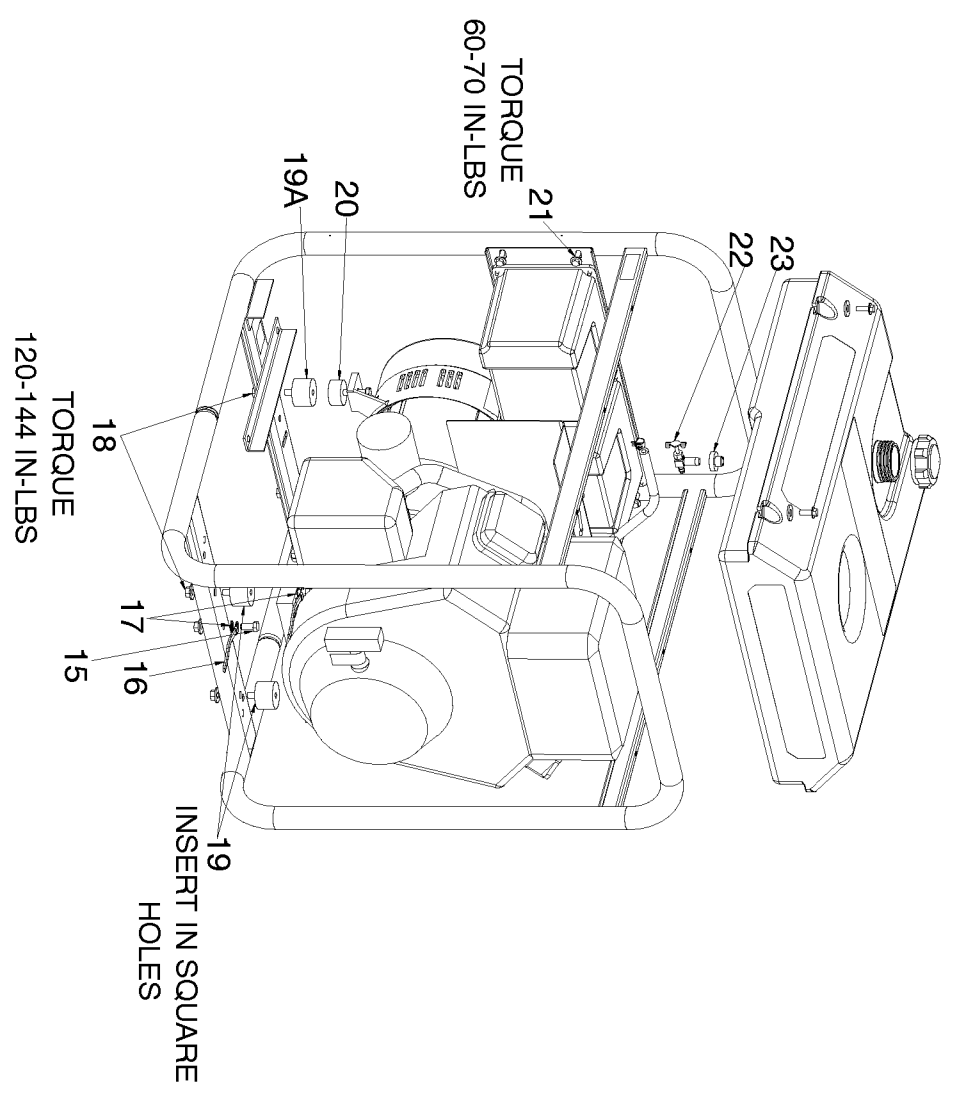
116

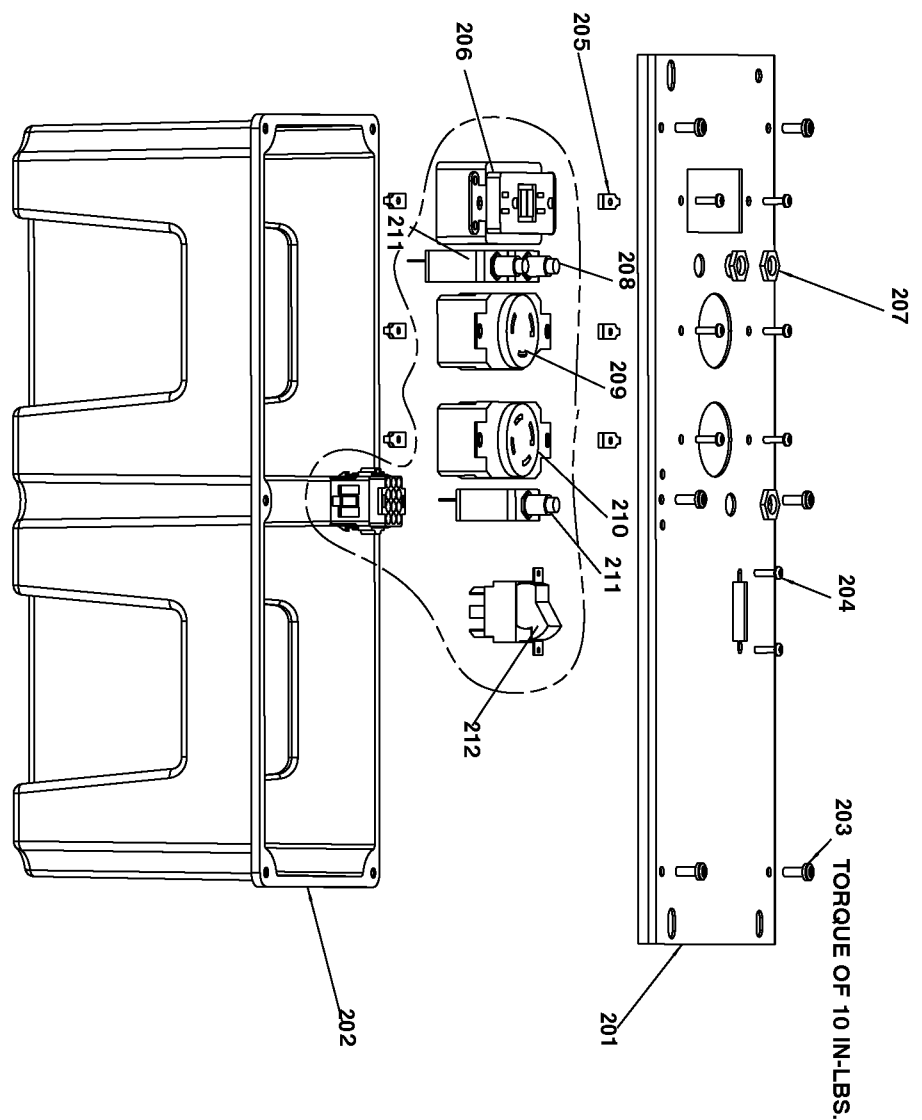
117

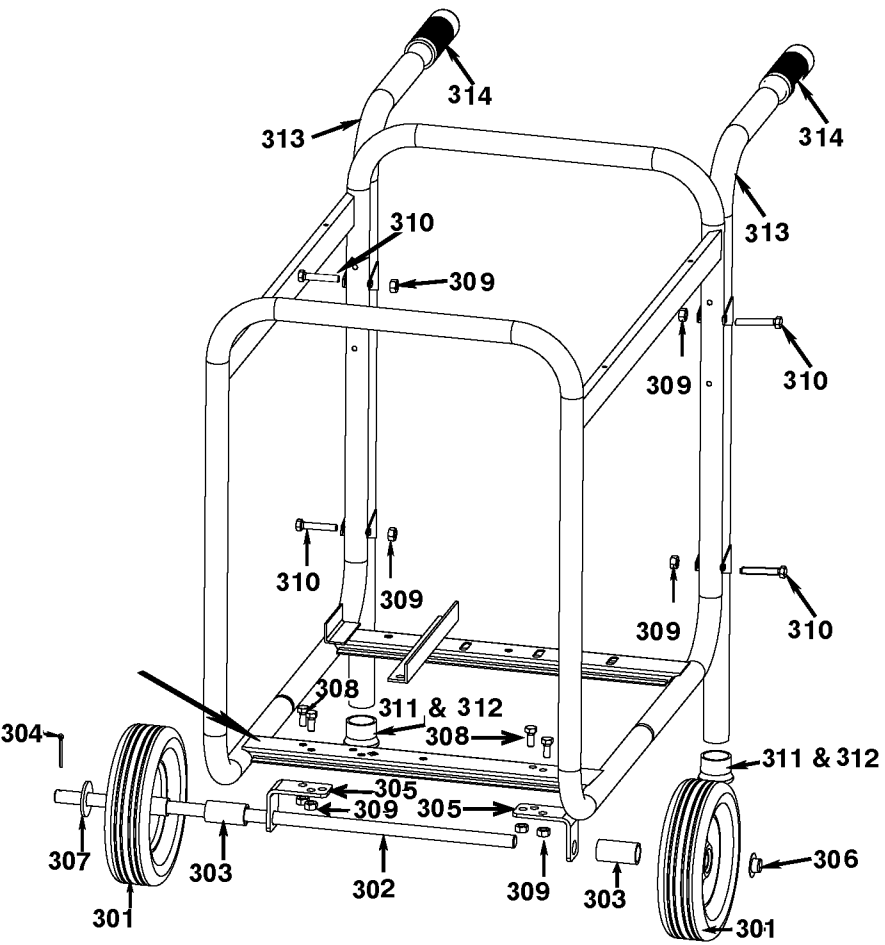
121 INSERT INTO O-RING GROOVE, PART OF 10



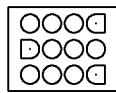
SCALE 1:1
CAPACITOR WIRING



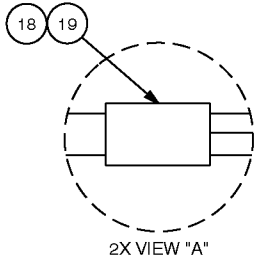
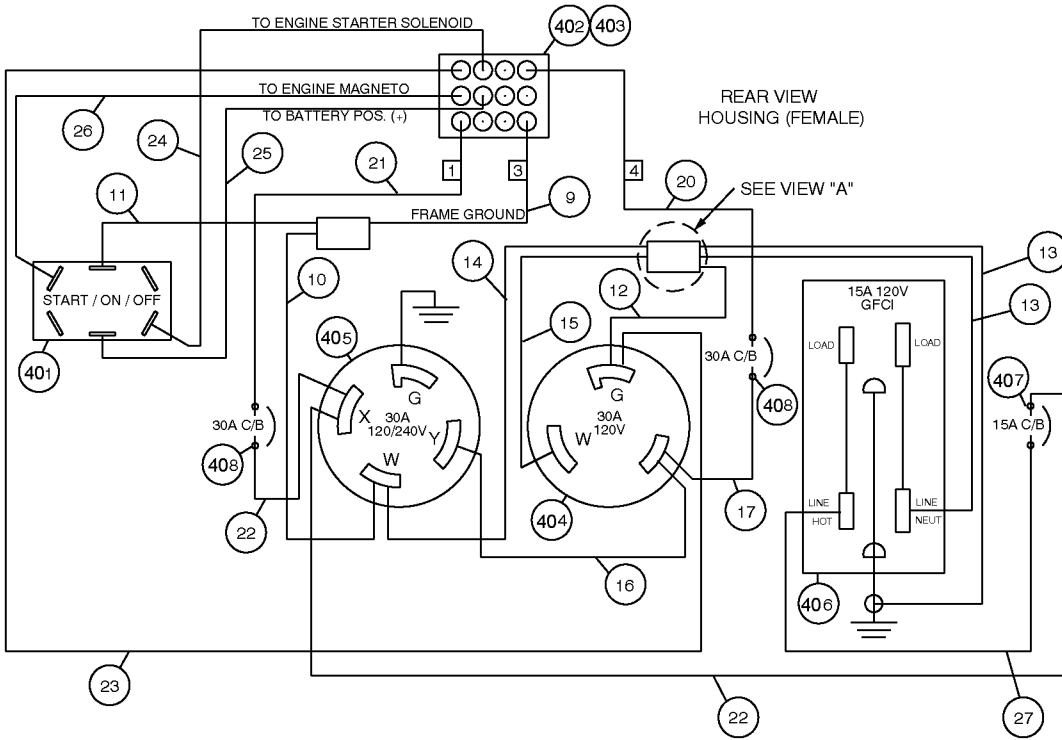




CONTROL PANEL REAR VIEW



REAR VIEW
HOUSING (MALE)



KEY NO.

DESCRIPTION

COLOR

1	SWITCH OFF - ON / START	NA
2	CAP FRONT	NA
3	CAP REAR	NA
4	RECEPTACLE 125V 30A	NA
5	RECEPTACLE 4 PRONG 30A	NA
6	INTERRUPTER GR F CIRCUIT	NA
7	BREAKER CIRCUIT 125/250V	NA
8	CIRCUIT BREAKER 125/250V	NA
9	WIRE #12 AWG	GREEN
10	WIRE #12 AWG	GREEN
11	WIRE # 16AWG	GREEN
12	WIRE #12 AWG	GREEN
13	WIRE #12 AWG	GREEN
14	WIRE #12 AWG	GREEN
15	WIRE #12 AWG	GREEN
16	WIRE #12 AWG	RED
17	WIRE #12 AWG	RED
18	TUBE HEAT SHRINK 1.5 IN	NA
19	SPLICE TERMINAL	NA
20	WIRE #12 AWG	RED
21	WIRE #12 AWG	BLACK
22	WIRE #12 AWG	BLACK
23	WIRE #12 AWG	ORANGE
24	WIRE # 16AWG	BLUE
25	WIRE # 16AWG	PINK
26	WIRE # 16AWG	YELLOW
27	WIRE #12 AWG	BLACK

Parts List for 919-67007 Type 0

Item Number	Part Number	Description	Qty Required
1	91895680	SCREW .250-20X.750 H	1
2	Z-GS-0795	TANK FUEL 7G SS	1
3	GS-0443	CAP FUEL TANK	1
4	000000-00	No Longer Available	1
6	GS-0077	COVER END BLANK	1
7	SSF-553-1	SCREW #10-24X.563 TH	1
8	Z-A14582	HOSE FUEL	1
9	GS-0227	CLAMP FUEL .50	1
10	5140123-06	SCREW	1
11	000000-00	No Longer Available	1
12	GS-0117	LUG GROUND	1
13	95829230	SCREW .313-18X1.50 H	1
14	SSN-632	WASHER .875 OD .375	1
15	SS-12-CD	SCREW .313-18X.750 H	1
16	GS-0118	STRAP GROUND	1
17	N017772	LOCK WASHER	1
18	SSF-8150	NUT .312-18 UNC HEX	1
19	GS-0033	ISOLATOR VIBRATION 1	1
19	GS-0033	ISOLATOR VIBRATION 1	1
20	000000-00	No Longer Available	1
21	91895680	SCREW .250-20X.750 H	1
22	GS-0437	DRAIN COCK	1
23	N103455	GROMMET	1
101	000000-00	No Longer Available	1
102	SSN-619	WASHER .375 SPRING L	1
103	5140125-93	SCREW	1
104	000000-00	No Longer Available	1

Parts List for 919-67007 Type 0

Item Number	Part Number	Description	Qty Required
104	D29822	KIT SERVICE FOCUS MO	1
105	GS-0273	BOLT STATOR THRU 207	1
106	000000-00	No Longer Available	1
106	D29822	KIT SERVICE FOCUS MO	1
107	330016-13	WASHER	1
108	SSF-576	NUT .313-24 HEX W/KE	1
109	GS-0274	BOLT ROTOR THRU 207L	1
110	000000-00	No Longer Available	1
112	SSF-575	NUT .250-20 HEX W/KE	1
113	GS-0592	CAPACITOR 35uF 3% 37	1
116	GS-0595	BRACKET CAPACITOR 2.	1
117	SSF-553-1	SCREW #10-24X.563 TH	1
121	GS-0862	O-RING ROTOR BEARING	1
202	000000-00	No Longer Available	1
203	SSF-3156	SCREW #10-9X.500 THD	1
204	SSF-583	SCREW #6-32X.500 PAN	1
205	SSF-584	NUT #6-32 SPEED SELF	1
206	000000-00	No Longer Available	1
207	SSF-595	NUT .438-28 UNEF HEX	1
208	Z-GS-0024	BREAKER CIRCUIT 125/	1
209	GS-0021	RECEPTACLE 125V 30A	1
210	GS-0455	RECEPTACLE 4 PRONG 3	1
211	GS-0026	BREAKER CIRCUIT 125/	1
212	GS-0046	SWITCH OFF - ON / ST	1
302	000000-00	No Longer Available	1
304	SSN-622	PIN COTTER 7/64 X 1.	1
306	SSF-591	WASHER .625 PUSH NUT	1

Parts List for 919-67007 Type 0

Item Number	Part Number	Description	Qty Required
307	SSN-623	WASHER FLAT STEEL 1.	1
308	SS-12-CD	SCREW .313-18X.750 H	1
309	SSF-8150	NUT .312-18 UNC HEX	7
310	SSF-3121-ZN	SCREW .313-18X1.75 H	4
311	000000-00	No Longer Available	2
312	91890228	WASHER 5/8 X 1.32 X	2
313	000000-00	No Longer Available	2
314	A17036	GRIP HANDLE HORZ WB	2
315	000000-00	No Longer Available	1
316	SUDL-9-1	SCREW #8-32X.375/.34	4
401	GS-0046	SWITCH OFF - ON / ST	1
404	GS-0021	RECEPTACLE 125V 30A	1
405	GS-0455	RECEPTACLE 4 PRONG 3	1
406	000000-00	No Longer Available	1
407	Z-GS-0024	BREAKER CIRCUIT 125/	1
408	GS-0026	BREAKER CIRCUIT 125/	1
856	GS-0082	DIODE DSA	1