

101 ORIENT WITH VENTS DOWNWARD AS SHOWN

102

103 TORQUE 204-264 IN-LBS

105 TORQUE UNTIL THREADS RUN OUT

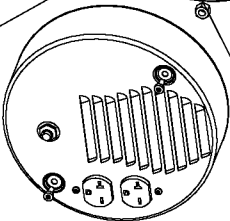
109

110 TORQUE 60-70 IN-LBS

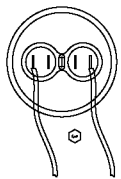
117 TORQUE 30-40 IN-LBS

108 TORQUE 120-144 IN-LBS

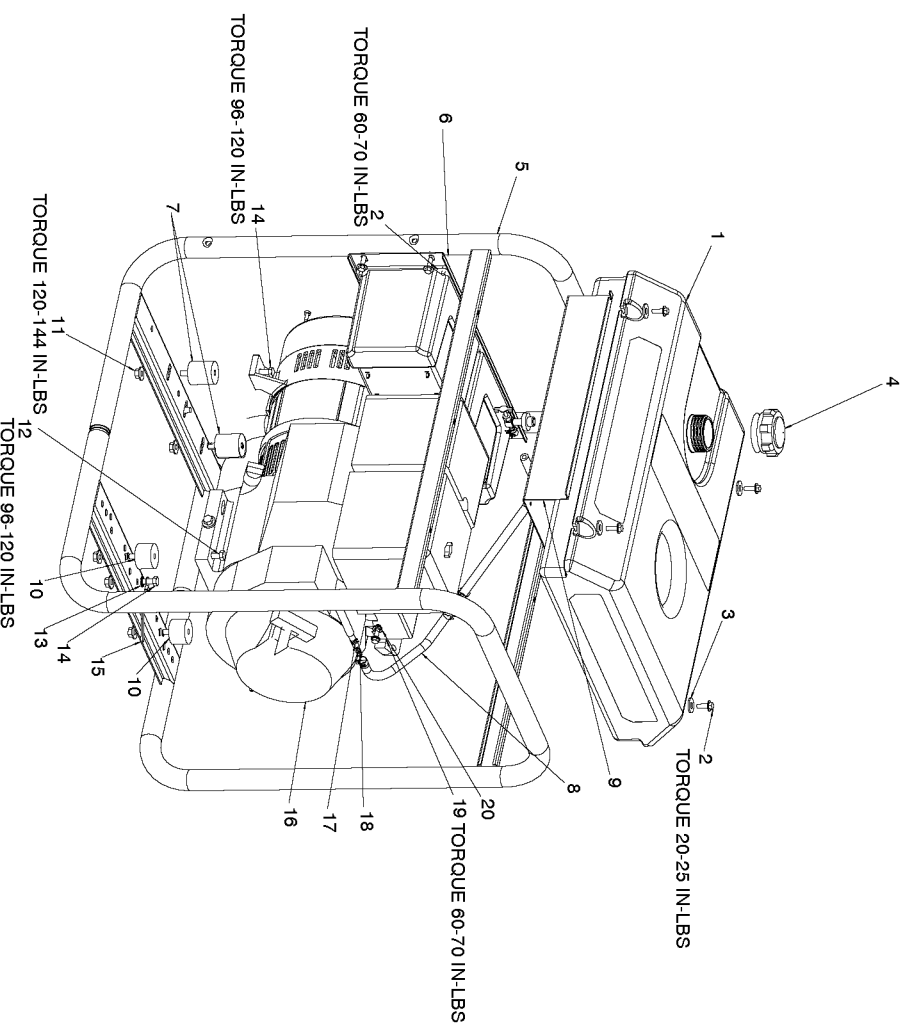
SHOWN FOR REFERENCE ONLY

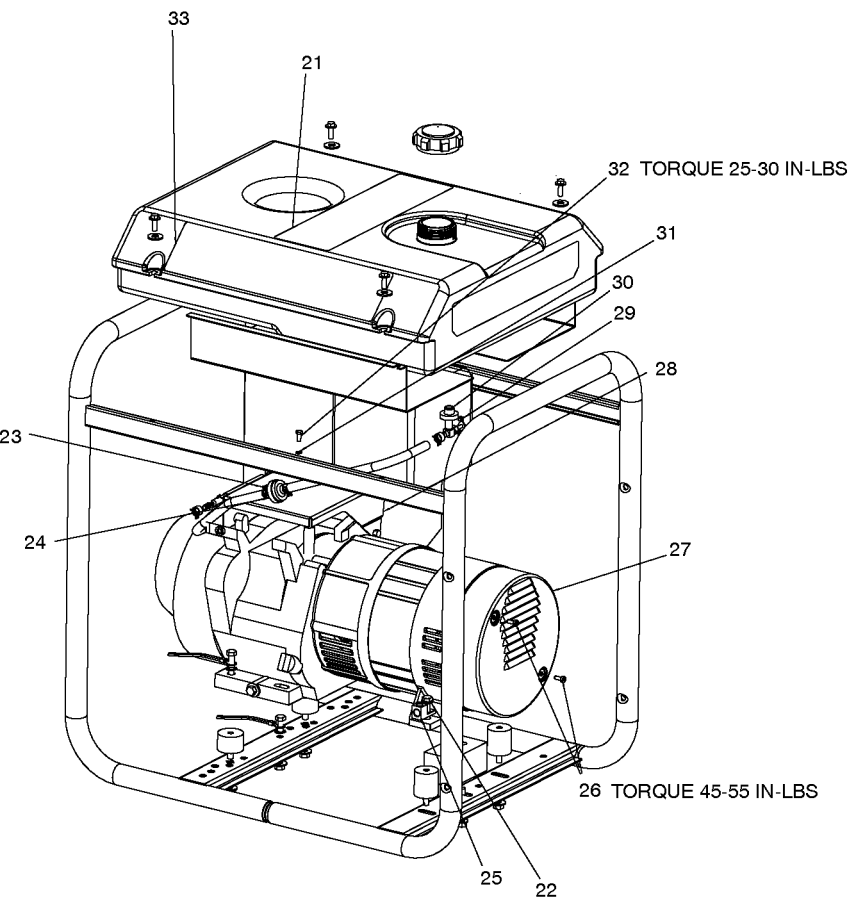


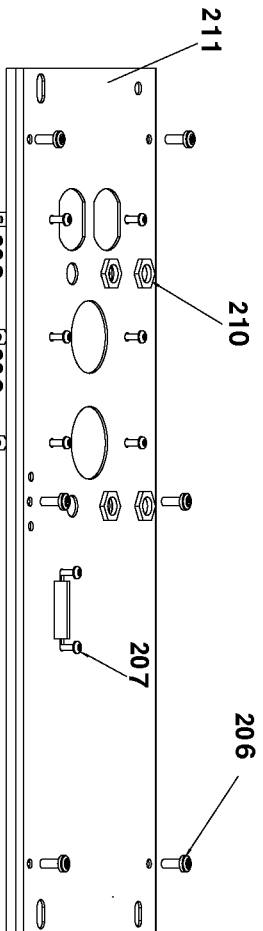
121 INSERT INTO O-RING GROOVE, PART OF 10



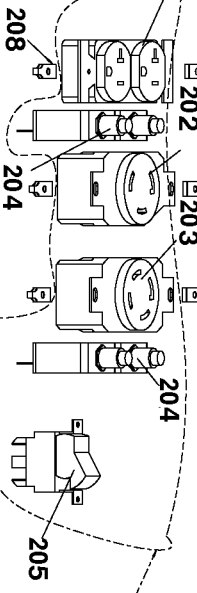
SCALE 1:1 CAPACITOR WIRING



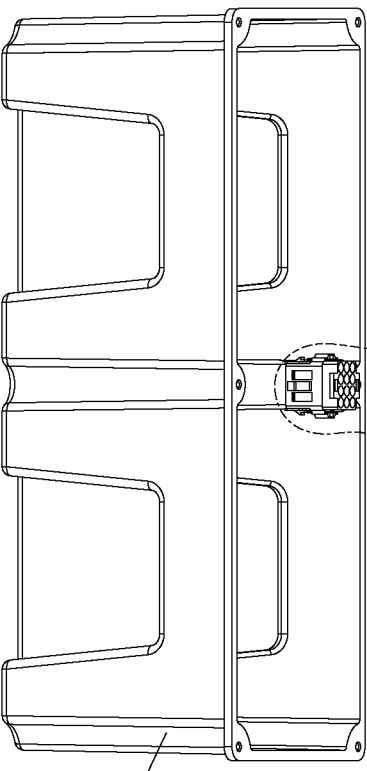




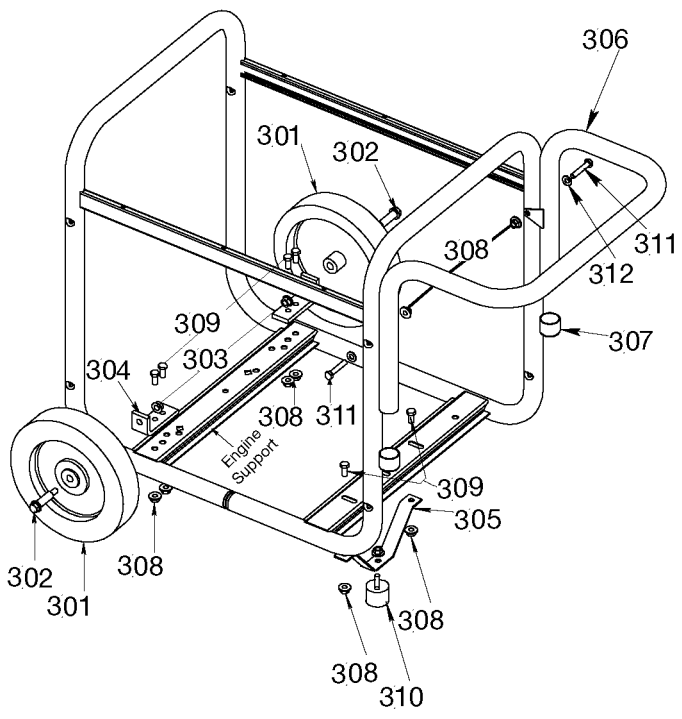
ATTACH SPEED CLIP  
PRIOR TO ASSEMBLY  
OF DEVICES TO FACE PLANE



WIRING HARNESS PIN TO BE  
SNAPPED INTO OPENING INSIDE  
REAR COVER



209



## Parts List for 919-67004 Type 0

Item Number	Part Number	Description	Qty Required
1	Z-GS-0795	TANK FUEL 7G SS	1
2	91895680	SCREW .250-20X.750 H	1
3	SSN-632	WASHER .875 OD .375	1
4	GS-0443	CAP FUEL TANK	1
7	GS-0433	ISOLATOR	1
8	Z-A14582	HOSE FUEL	1
9	D24273	SHIELD HEAT BSV GHC	1
10	GS-0033	ISOLATOR VIBRATION 1	1
11	SSF-8150	NUT .312-18 UNC HEX	1
12	5140123-06	SCREW	1
13	N017772	LOCK WASHER	1
14	SS-12-CD	SCREW .313-18X.750 H	1
15	GS-0118	STRAP GROUND	1
16	000000-00	No Longer Available	1
17	000000-00	No Longer Available	1
18	GS-0535	UNION REDUCER 1/4 X	1
19	39124607	SCREW .250-20X.625 H	1
20	5130235-00	LOCK WASHER	1
22	SSF-928	SCREW .313-18X.875 H	1
23	GS-0227	CLAMP FUEL .50	1
24	GS-0459	FILTER FUEL	1
25	GS-0117	LUG GROUND	1
26	SSF-553-1	SCREW #10-24X.563 TH	1
27	GS-0077	COVER END BLANK	1
29	GS-0437	DRAIN COCK	1
30	N103455	GROMMET	1
31	000000-00	No Longer Available	1

## Parts List for 919-67004 Type 0

Item Number	Part Number	Description	Qty Required
32	SSF-627	SCREW M5X8.5X12 HEX	1
33	D20609	LABEL TRILINGUAL WAR	1
101	000000-00	No Longer Available	1
102	SSN-619	WASHER .375 SPRING L	1
103	5140125-93	SCREW	1
104	Z-D27809	ASSY GEN 3.255 2D IC	1
105	GS-0110	BOLT STATOR THRU 130	1
106	Z-D27809	ASSY GEN 3.255 2D IC	1
107	330016-13	WASHER	1
108	SSF-576	NUT .313-24 HEX W/KE	1
109	GS-0091-1	BOLT ROTOR THRU 130L	1
110	000000-00	No Longer Available	1
112	SSF-575	NUT .250-20 HEX W/KE	1
113	GS-0592	CAPACITOR 35uF 3% 37	1
116	GS-0595	BRACKET CAPACITOR 2.	1
117	SSF-553-1	SCREW #10-24X.563 TH	1
121	GS-0862	O-RING ROTOR BEARING	1
202	GS-0480	RECEPTACLE 125V 20A	1
203	GS-0445	RECEPTACLE 4 PRONG T	1
204	Z-GS-0024	BREAKER CIRCUIT 125/	1
205	GS-0045	SWITCH FULL POWER	1
206	SSF-3156	SCREW #10-9X.500 THD	1
207	SSF-583	SCREW #6-32X.500 PAN	1
208	SSF-584	NUT #6-32 SPEED SELF	1
209	000000-00	No Longer Available	1
210	SSF-595	NUT .438-28 UNEF HEX	1
301	D23138	WHEEL 9 BLACK SEMI-P	2

## Parts List for 919-67004 Type 0

Item Number	Part Number	Description	Qty Required
302	CAC-60	BOLT .375-16X2.25 UN	2
303	SSF-8111-ZN	NUT .375-16 HEX WHIZ	2
304	D26097	BRACKET WHEEL GA80 B	2
305	GS-0562	BRACKET FOOT	1
306	000000-00	No Longer Available	1
307	GS-0565	CAP HANDLE 1.19 ID	2
308	SSF-8150	NUT .312-18 UNC HEX	9
309	SS-12-CD	SCREW .313-18X.750 H	6
310	000000-00	No Longer Available	1
311	SSF-3121-ZN	SCREW .313-18X1.75 H	2
312	330016-13	WASHER	2
856	GS-0082	DIODE DSA	1