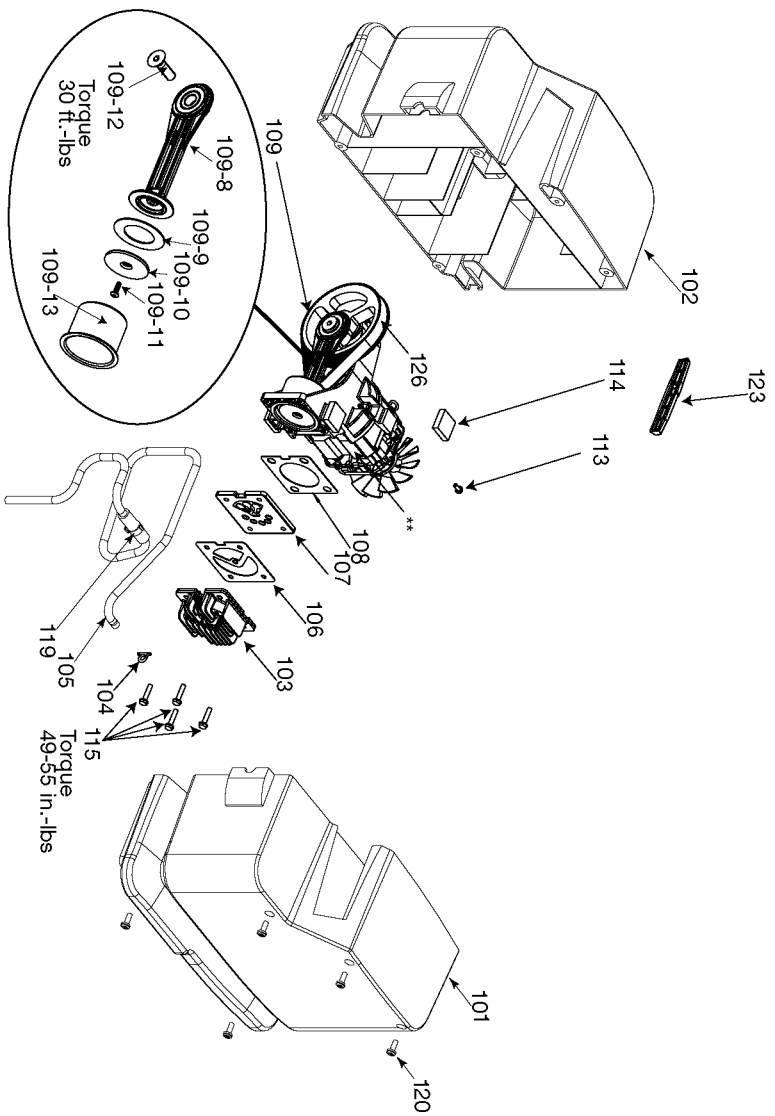


The picture shown is for reference only. It may differ from actual unit.



## Parts List for 919-16644 Type 0

Item Number	Part Number	Description	Qty Required
1	000000-00	No Longer Available	1
2	91895680	SCREW .250-20X.750 H	2
3	D24721	KIT ISOLATOR W/SCREW	2
4	D24888	NIPPLE .25NPT X 2.5	1
5	A17038	DRAIN VALVE	1
6	SUDL-9-1	SCREW #8-32X.375/.34	2
7	D20114	VALVE SAFETY 175 .25	1
8	N008792	REGULATOR RPR KIT	1
8	D27253	REGULATOR 4PORT P2 L	1
9	D26889	ADAPTER .25 NPT X .2	1
10	Z-D27212	GAUGE 200PSI .125NPT	1
11	N053094	NIPPLE	1
12	SSP-6021	BUSHING REDUCER 1/8-	1
13	D21929	GAUGE 2 OD 300PSI .1	1
14	5140112-33	PRESSURE SWITCH	1
16	A19718	VALVE CHECK 1/2NPT X	1
17	SSP-473	ASSY NUT SLEEVE 5/16	1
18	CAC-1254	ISOLATOR PUMP	4
20	D29132	SCREW	2
24	LA-3069	LABEL CRAFTSMAN	1
25	LA-3027	LABEL DRAIN TANK ENG	1
29	LA-3108	LABEL HOT SURFACE EN	1
32	N008803	LABEL WARN PORT/STAT	1
33	A13281	LABEL	1
36	D28123	WHEEL SEMI PNEU 8X2.	1
37	A01194	BOLT .375-16X2.38 UN	2
38	SSF-8080-ZN	NUT .375-16 UNC-2B H	2

## Parts List for 919-16644 Type 0

Item Number	Part Number	Description	Qty Required
39	A13274	LABEL	1
101	A15590	SHROUD KIT	1
102	A15590	SHROUD KIT	1
103	CAC-1196	HEAD UMC	1
104	N044359	TUBE SEAL	1
106	Z-D24819	GASKET HEAD UMC GRAP	1
107	N017592SV	VALVE PLATE ASSY	1
109	N036518	CON ROD ASSY	1
109	D21127	SCREW #10-24X.563 PA	1
109	A19123	SCREW	1
109	N036518	CON ROD ASSY	1
109	N102531	PUMP KIT	1
109	D24595	FAN UMC MOTOR 8MM PL	1
109	N036518	CON ROD ASSY	1
109	N036518	CON ROD ASSY	1
113	SUDL-9-1	SCREW #8-32X.375/.34	1
114	D25731	ISOLATOR PUMP	5
115	SSF-995	SCREW #10-24X.875 HH	4
119	CAC-1206-1	CLAMP HOSE .250 ID H	1
120	SSF-3156	SCREW #10-9X.500 THD	5
123	A00470	HANDLE SUPPORT SEARS	1
126	AC-0815	BELT TIMING DAYCO	1
856	N102531	PUMP KIT	1
856	N096856	SHROUD KIT	1
856	000000-00	No Longer Available	1
856	N036518	CON ROD ASSY	1
856	Z-A02125	BRUSH MOTOR 3HP UMC	1

## Parts List for 919-16644 Type 0

Item Number	Part Number	Description	Qty Required
856	D30139	KIT GRAPHITE GASKET	1
856	KK-4929	KIT FASTENER	1
856	Z-D23825	BRUSH MOTOR UMC GSE	1
856	D26615	CORD POWER ST 14GA 1	1