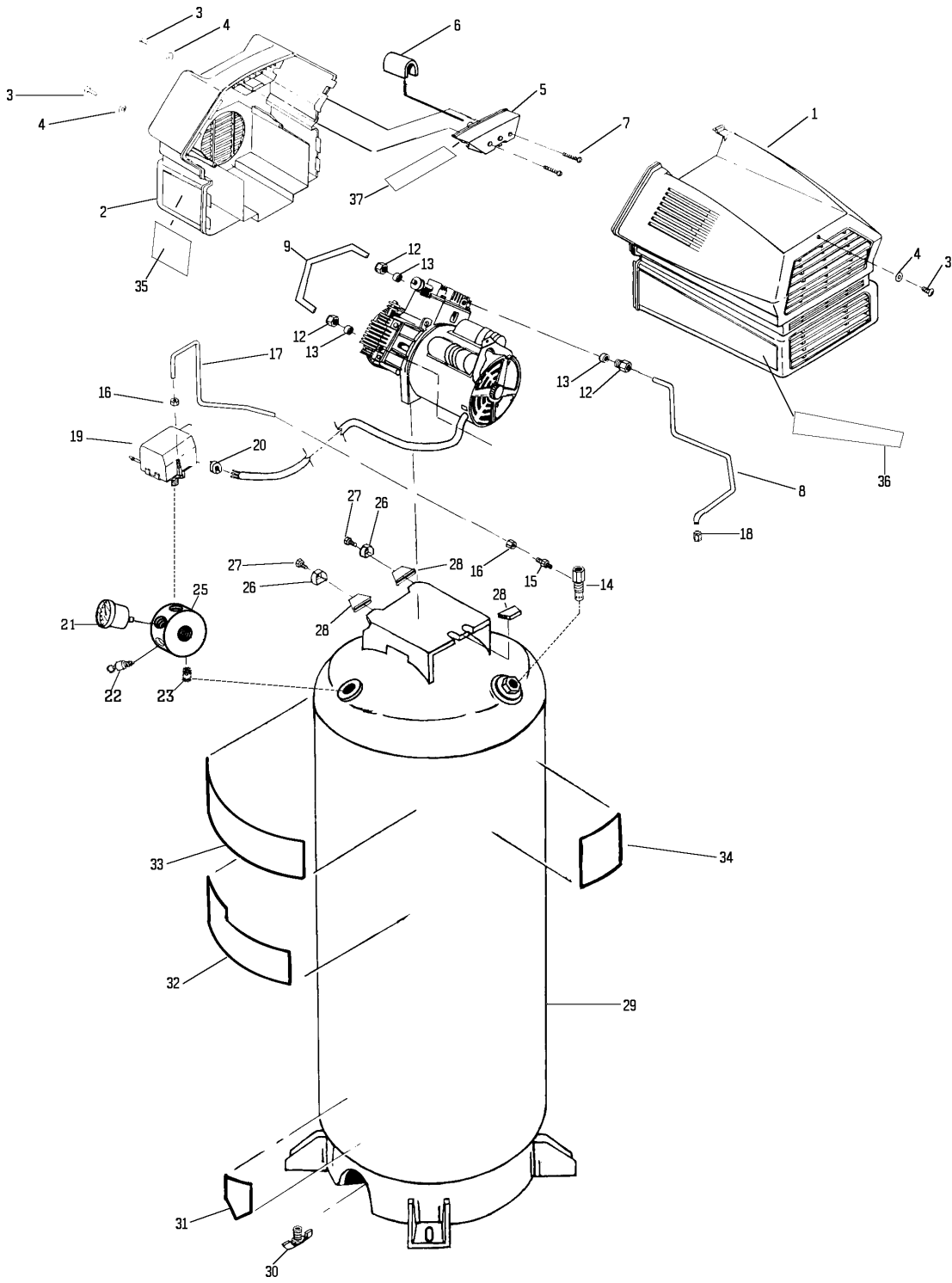
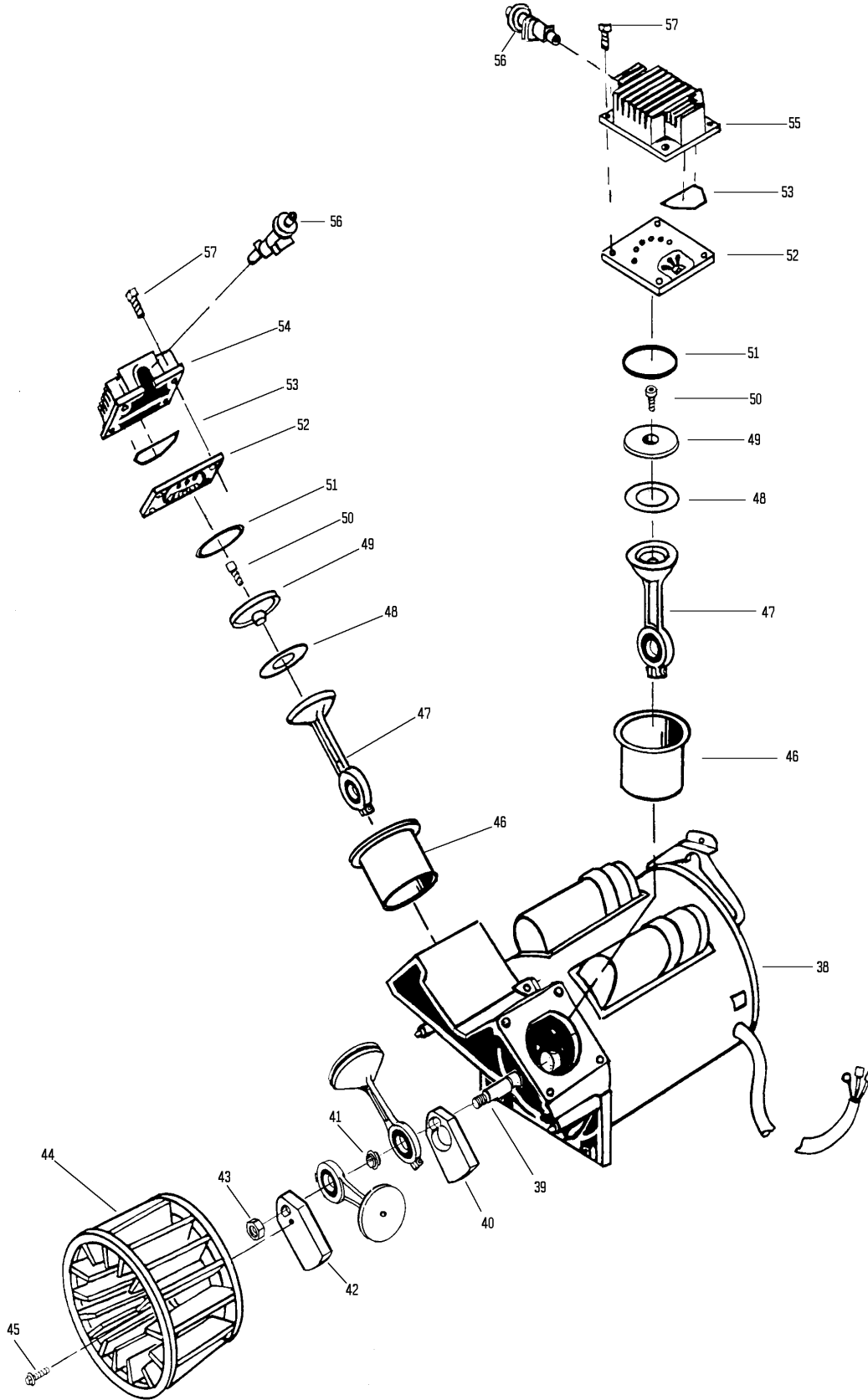


AIR COMPRESSOR DIAGRAM



COMPRESSOR PUMP DIAGRAM



PARTS LIST

KEY NO.	PART NUMBER	DESCRIPTION
1	ACG-61-2	Shroud, Rear
2	ACG-14	Shroud, Front
3	SSF-553	Screw, #10-24x9/16 Pan HD (3 used: Torque 33-38 in.-lbs.)
4	SSG-3102	O-ring (3 used)
5	ACG-13	Cover, Intake Muffler
6	ACG-12	Filter, Intake
7	SSF-554	Screw, #10-14 x 2 1/2 Pan HD (2 used)
8	AC-0242	Tube, Outlet 60 Gal
9	AC-0099	Tube, Outlet 60 Gal
12	SSP-7821-1	Nut, Compression for .50" (3 used)
13	SSG-3105	O-Ring (3 used)
14	CAC-4290-3	Check Valve
15	SS-8553	Connector Body
16	SSF-7811	Nut-Sleeve Assembly 1/4" (2 used)
17	AC-0215	Pressure Relief Tube
18	SSP-7813	Nut-Sleeve Assembly 3/8"
19	AC-0375	Pressure Switch 100/130
20	CAC-1392	Strain Relief Bushing
21	GA-360	Gauge
22	97503734	Safety Valve
23	SS-2072-1	Nipple .375 NPT
25	AC-0217	Manifold
26	ACG-18	Saddle Mount Cup (2 used)
27	SSF-990	Screw, 1/4"- 20 unc-2A Thd Forming (2 used: Torque 108-144 in.-lbs.)
28	ACG-19	Isolator (3 used)
29	TA-4436	Tank (60 Gal.)
30	SS-2707	Drain Valve
31	LA-1978-1	Label - Drain Tank
32	LA-3105	Label- Sears Craftsman
33	LA-2642	Label - Warning
34	LA-2580-2	Label - Maintenance
35	LA-3128	Label - Performance Sears
36	D20365	Label - 6.5 HP 60 Gal
37	LA-2616	Label - Air Filer Cover

PARTS LIST

KEY NO.	PART NUMBER	DESCRIPTION
38	MO-3024	Motor
39	ACG-8	Pin, Eccentric
40	ACG-6	Counter Balance, Inner
41	ACG-9	Washer
42	ACG-7	Counter Balance, Outer
43	ACG-23	Nut (Torque 85-90 ft.-lbs.)
44	ACG-22	Fan
45	39124607	Screw, Self Tap 1/4 x 5/8 (Torque 130-145 in.-lbs.)
x• 46	AC-0263	Sleeve, Cylinder (2 used)
• 47	----	Connecting Rod (2 used)
x• 48	DAC-308	Compression Ring (2 used)
• 49	ACG-29	Connecting Rod Cap (2 used)
x• 50	SSF-3158-1	Screw, 10-24 x .75 (2 used)
• 51	SSG-8156	O-ring (2 used)
52	AC-0032	Valve Plate Assembly (2 used)
• 53	ACG-45	O-ring, Perm Lube Head (2 used)
54	AC-0038	Head, Left
55	AC-0037	Head, Right
56	ACG-11	Muffler, Intake (2 used)
57	SSF-927	Screw, 1/4" - 20 x 1 1/8" (8 used: Torque 7-10 ft.-lbs.)

NOT ILLUSTRATED

D20397	Parts Manual
D20451	General Manual
D20371	Label Specifications

- x Key No's. 46, 48 & 50 can be purchased in K 0058 Compression Ring Kit.
- Key No's. 46, 48, 49, 50, 51 and 53 can be purchased in KK-5081 Connecting Rod Kit. Key #47 can only be purchased in KK-5081. Quantities are one of each item.