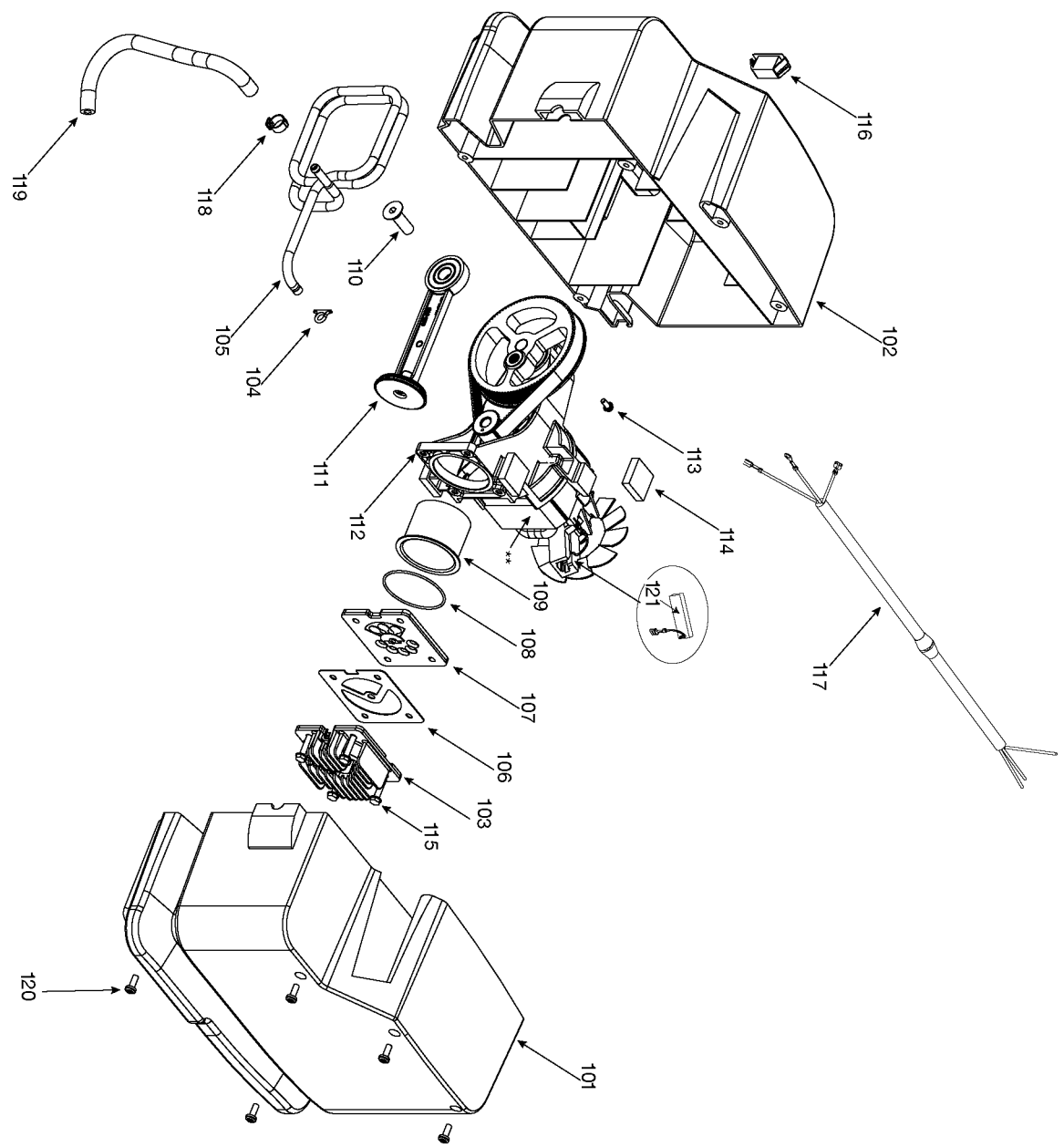


Torque to 10-20 in-lbs



## Parts List for 919-16538 Type 0

Item Number	Part Number	Description	Qty Required
1	000000-00	No Longer Available	1
2	SST-5314-1	BUMPER RECESS RUBBER	3
3	91895680	SCREW .250-20X.750 H	3
4	SSF-621	SCREW .250-14X.625 F	2
5	D24888	NIPPLE .25NPT X 2.5	1
7	A17038	DRAIN VALVE	1
8	D20114	VALVE SAFETY 175 .25	1
9	CAC-4296-1	REGULATOR 3PORT P2 L	1
10	A19513	BODY QC .250 IND .25	1
11	Z-D23004	GAUGE 1.5OD 200PSI .	2
12	N053094	NIPPLE	1
14	SSP-6021	BUSHING REDUCER 1/8-	1
15	5140112-33	PRESSURE SWITCH	1
18	D27022	VALVE CHECK 1/2NPT X	1
19	CAC-1254	ISOLATOR PUMP	4
20	000000-00	No Longer Available	1
21	CAC-1206-1	CLAMP HOSE .250 ID H	1
24	LA-3109	LABEL	1
26	D26616	CORD POWER SJOW 14GA	1
28	LA-3108	LABEL HOT SURFACE EN	1
34	000000-00	No Longer Available	1
101	000000-00	No Longer Available	1
102	A15590	SHROUD KIT	1
103	D25877	HEAD UMC PRESSURE RE	1
104	N044359	TUBE SEAL	1
105	D22253	TUBE OUTLET .3125OD	1
106	Z-D24819	GASKET HEAD UMC GRAP	1

## Parts List for 919-16538 Type 0

Item Number	Part Number	Description	Qty Required
107	N017592SV	VALVE PLATE ASSY	1
108	SSG-8169	ORING 2.132/2.096ID	1
109	N036518	CON ROD ASSY	1
110	A19123	SCREW	1
111	N036518	CON ROD ASSY	1
112	N087118SV	PUMP ASSEMBLY	1
113	SUDL-9-1	SCREW #8-32X.375/.34	1
114	D25731	ISOLATOR PUMP	5
115	SSF-995	SCREW #10-24X.875 HH	4
116	CAC-1283	COVER SWITCH UMC	1
117	D27279	CORD ASSY UMC 4G & 6	1
118	CAC-1206-1	CLAMP HOSE .250 ID H	1
119	H-7051	HOSE AIR 1/4 X 10 BL	1
120	SSF-3156	SCREW #10-9X.500 THD	5
856	D21109	BODY QC .250 UNIV .2	1
856	000000-00	No Longer Available	1
856	N036518	CON ROD ASSY	1
856	D20598	PLUG	1
856	D24721	KIT ISOLATOR W/SCREW	1
856	KK-4929	KIT FASTENER	1
856	LA-3270	LABEL WARNING ENG/SP	1