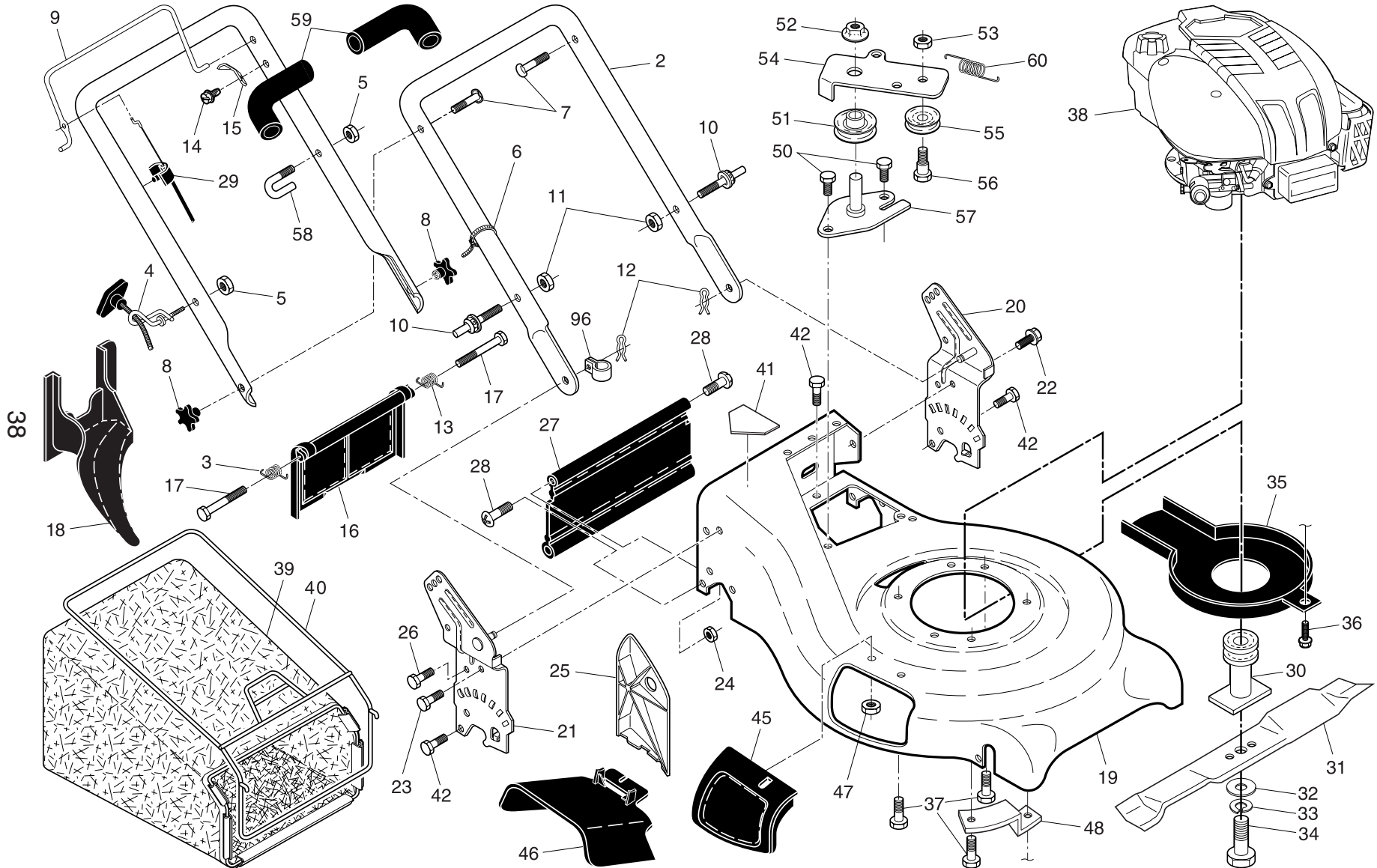


CRAFTSMAN ROTARY LAWN MOWER - - MODEL NUMBER 917.375830



REPAIR PARTS

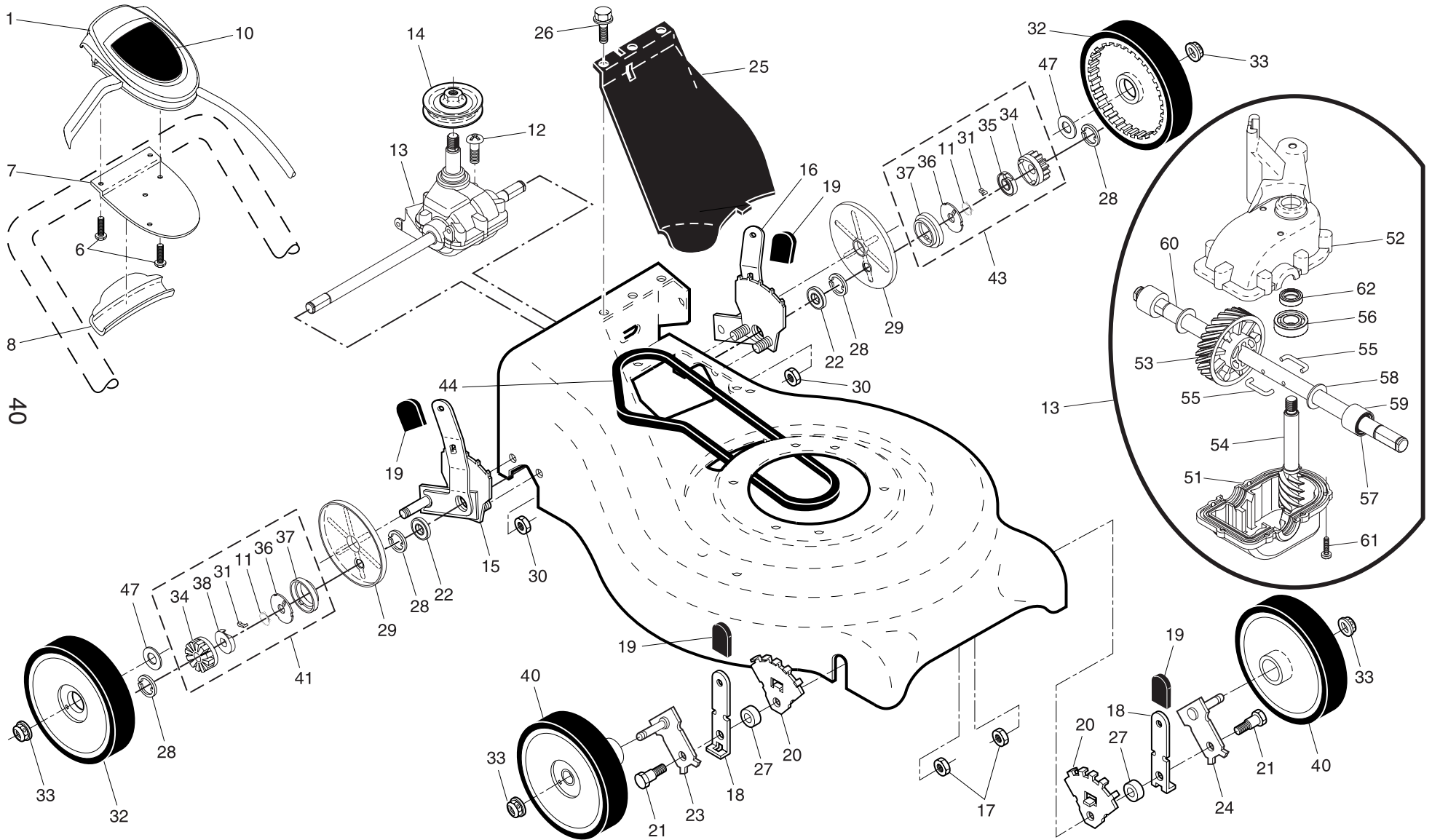
CRAFTSMAN ROTARY LAWN MOWER - - MODEL NUMBER 917.375830

KEY NO.	PART NO.	DESCRIPTION	KEY NO.	PART NO.	DESCRIPTION	KEY NO.	PART NO.	DESCRIPTION
1	199982	Upper Handle Assembly (Includes Foam Grip)	23	163183	Bolt, Hex Head 5/16-18 x 5/8	46	169699X418	Discharge Guard
2	193664X498	Handle, Lower	24	73800500	Nut, Hex, with Lockwasher Insert 5/16-18	47	88349	Nut, Hex
3	186053	Spring, Rear Door, RH	25	161333	Baffle, Side	48	188839X004	Mounting Bracket, Debris Shield
4	194788	Rope Guide	26	163409	Screw #12 x 5/8	50	57808	Screw
5	132004	Nut, Hex, with Lockwasher Insert 1/4-20	27	192876	Skirt, Rear	51	193791	Pulley, Idler
6	66426	Wire, Tie	28	88652	Screw, Hinge 1/4-20 x 1.25	52	145212	Flanged Nut
7	191574	Bolt, Handle 5/16-18 x 2-5/8	29	191221	Cable, Operator Presence	53	155552	Locknut
8	185588	Knob, Handle	30	189179	Blade Adapter / Pulley	54	193792X004	Idler Arm
9	194580X422	Control Bar	31	189028	Blade, 21"	55	166043	Idler Pulley
10	188821	Pin, Handle Adjustment	32	851074	Washer	56	160829	Shoulder Bolt
11	73930500	Nut, Hex	33	850263	Washer, Lock	57	193315	Bracket Assembly
12	51793	Cotter, Hairpin	34	851084	Bolt, Hex Head	58	182003	Clip, Wireform (Packaging)
13	186052	Spring, Rear Door, LH	35	188786	Debris Shield	59	182748	Grip, Foam
14	750634	Screw	36	192325	Bolt	60	182226	Spring, Return
15	850733X004	Bracket, Upstop	37	150406	Bolt, Engine	96	197991	Clip, Cable
16	185855X428	Rear Door Assembly	38	- - -	Engine, Briggs & Stratton, Model Number 128602- 0551-E1 (See Breakdown)	- -	161058	Warning Decal (not shown)
17	184193	Bolt, Rear Door				- -	402780	Owner's Manual, English / Spanish
18	198170	Plug, Mulcher	39	401683	Grassbag	Available accessories not included with mower:		
19	402549	Kit, Housing	40	194644	Frame, Grassbag	- -	71 33623	Gas Can (2.5 Gallon Container)
20	192980X479	Handle Bracket Assembly, LH	41	85463	Danger Decal	- -	71 33500	Fuel Stabilizer
21	192979X479	Handle Bracket Assembly, RH	42	54583	Screw	- -	71 33000	SAE 30W Oil (20 Ounce Bottle)
22	150078	Screw, Hex Washer Head	45	183058X418	Mulcher Door Assembly			

NOTE: All component dimensions given in U.S. inches. 1 inch = 25.4 mm.

IMPORTANT: Use only Original Equipment Manufacturer (O.E.M.) replacement parts. Failure to do so could be hazardous, damage your lawn mower and void your warranty.

CRAFTSMAN ROTARY LAWN MOWER -- MODEL NUMBER 917.375830



CRAFTSMAN ROTARY LAWN MOWER - - MODEL NUMBER 917.375830

KEY NO.	PART NO.	DESCRIPTION	KEY NO.	PART NO.	DESCRIPTION
1	403326	Drive Control Assembly (Includes Cable)	28	12000058	E-Ring 7/16
2	195745	Cover, Top	29	189403	Cover, Dust, Wheel
3	187353	Pulley	30	73800400	Nut, Hex
4	190039	Lever, Drive Control	31	175098	Pawl
5	195744	Cover, Bottom	32	193912X460	Wheel & Tire Assembly, Rear 8 x 1-3/4
6	181698	Screw	33	83923	Nut, Flangelock 3/8-16
7	400235X479	Mounting Bracket	34	175103	Gear
8	184987	Cap, Bottom	35	175105	Retainer, Drive, LH
9	196002	Cable, Drive	36	175104	Disc, Drive
10	189074	Decal, Drive Control Operation	37	184172	Seal, Friction
11	188291	Spring, Torsion	38	175102	Retainer, Drive, RH
12	750634	Screw	40	193909X460	Wheel & Tire Assembly, Front 8 x 1-3/4
13	193354	Gear Case Assembly, Complete	41	188330	Pinion Assembly, RH
14	193443	Pulley, Drive	43	188331	Pinion Assembly, LH
15	197235	Kit, Wheel Adjuster Assembly, RH (Includes Knob and Bearing)	44	183688	V-Belt
16	197234	Kit, Wheel Adjuster Assembly, LH (Includes Knob and Bearing)	47	67725	Washer
17	166785	Nut, Hex	51	187530	* Case, Lower
18	168360X004	Spring, Selector	52	187531	* Case, Upper
19	196401	Knob, Selector Spring	53	187532	Gear, 24 Teeth
20	160835X007	Bracket, Wheel Adjusting	54	187533	Shaft, Input
21	160828	Bolt, Shoulder, Hex Head	55	183505	Wire, Formed
22	169911	Bearing, Ball	56	183506	Bearing, Ball
23	186578X004	Axle Arm Assembly, RH	57	183508	Seal, Output Shaft
24	186577X004	Axle Arm Assembly, LH	58	183509	Washer
25	199775X418	Cover Drive	59	183511	Bushing
26	750634	Screw, Threaded, Rolled #10-25 x .50	60	197385	Shaft, Output
27	183901	Spacer	61	183513	Screw
			62	183514	Seal, Input Shaft

* Use Dow Corning #709 to reseal Gear Case Halves.

NOTE: All component dimensions given in U.S. inches. 1 inch = 25.4 mm.

IMPORTANT: Use only Original Equipment Manufacturer (O.E.M.) replacement parts. Failure to do so could be hazardous, damage your lawn mower and void your warranty.