

**Type:** Balancer up to 45 kg  
**Part no.:** 90801050002

| <b>Item</b> | <b>Part no.</b> | <b>Designation</b>  | <b>Quantity</b> |
|-------------|-----------------|---------------------|-----------------|
| 10          | 31334001006     | Rotary knob         | 1               |
| 20          | 43045014067     | Set screw           | 1               |
| 30          | 40238012001     | Clamping sleeve     | 1               |
| 40          | 31334002009     | Lever               | 1               |
| 50          | 31334003003     | Housing             | 1               |
| 60          | 31334004001     | Spring              | 2               |
| 70          | 31334005005     | Gear-wheel          | 1               |
| 80          | 31334006008     | Bolt                | 1               |
| 90          | 31334007002     | Circlip             | 1               |
| 110         | 31334008000     | Shaft               | 1               |
| 120         | 42616014009     | Circlip             | 1               |
| 130         | 31334011005     | Rope drum           | 1               |
| 140         | 31334013002     | Rope                | 1               |
| 150         | 31334030004     | Countersunk screw   | 1               |
| 160         | 42019012049     | Nut                 | 1               |
| 170         | 31334014000     | Hook                | 1               |
| 180         | 43035072042     | Cylinder head screw | 1               |
| 200         | 31334016007     | Insert              | 1               |
| 210         | 31334017001     | Housing             | 1               |
| 220         | 42616009003     | Circlip             | 1               |
| 230         | 42019009051     | Nut                 | 10              |
| 260         | 31334031003     | Countersunk screw   | 4               |
| 270         | 31334018009     | Guide               | 1               |
| 280         | 31334019003     | Stop                | 1               |

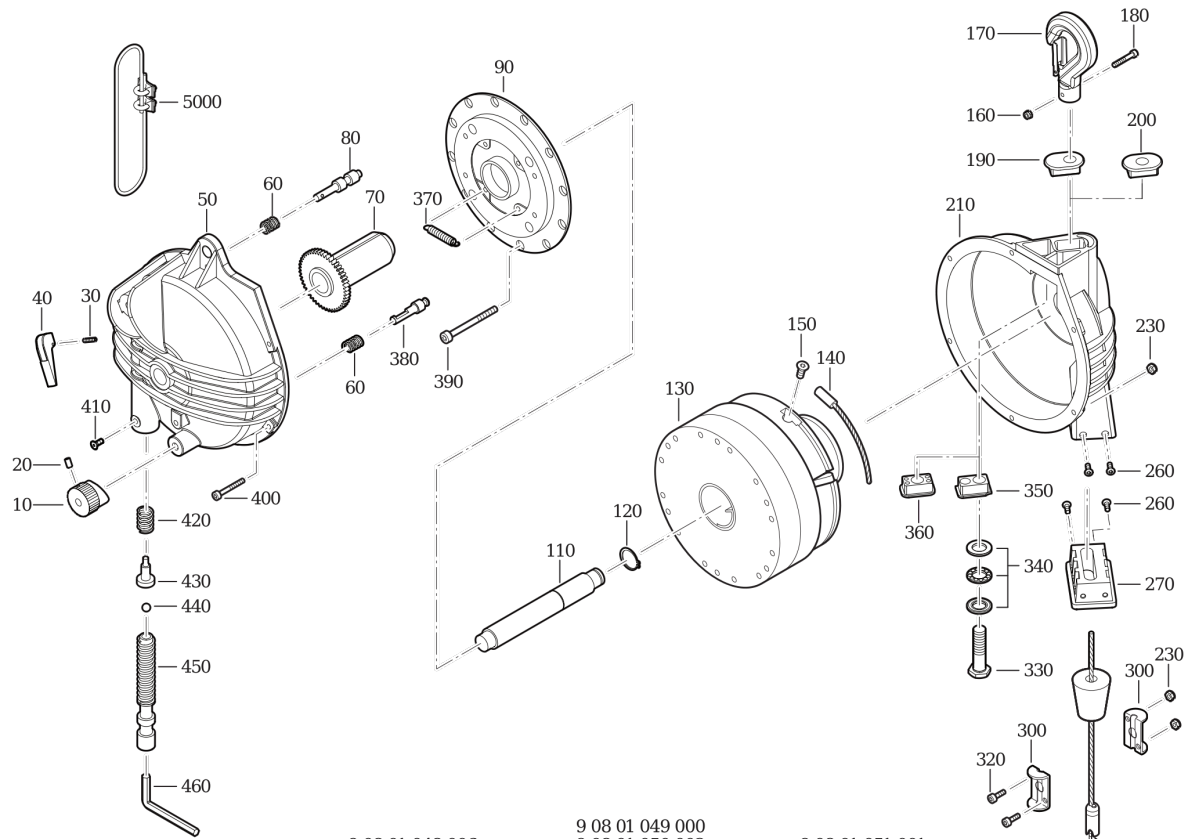
**Type:** Balancer up to 45 kg  
**Part no.:** 90801050002

| <b>Item</b> | <b>Part no.</b> | <b>Designation</b>   | <b>Quantity</b> |
|-------------|-----------------|----------------------|-----------------|
| 300         | 31334020005     | Terminal             | 2               |
| 310         | 31334021004     | Carabiner            | 1               |
| 320         | 31334032006     | Screw                | 4               |
| 330         | 31334033000     | Screw                | 1               |
| 340         | 31334034008     | Grooved ball bearing | 1               |
| 360         | 31334023001     | Insert               | 1               |
| 370         | 31334024009     | Spring               | 2               |
| 380         | 31334025003     | Bolt                 | 1               |
| 390         | 31334035002     | Countersunk screw    | 6               |
| 400         | 31334036005     | Screw                | 6               |
| 410         | 31334029002     | Countersunk screw    | 1               |
| 420         | 31334026006     | Spring               | 1               |
| 430         | 31334027000     | Bolt                 | 1               |
| 440         | 31334037009     | Ball                 | 1               |
| 450         | 31334028008     | Screw                | 1               |
| 460         | 62907006002     | Allen key SW8        | 1               |
| 480         | 30240239014     | Locking device       | 1               |
| 5000        | 31334038016     | Rope                 | 1               |
| 9020        | 34130054061     | Safety instruction   | 1               |

**Type:**  
**Part no.:**

Balancer up to 45 kg  
90801050002

9 08 01 048 00 6 Balancer 13-25 kg  
9 08 01 049 00 0 Balancer 22-32 kg  
9 08 01 050 00 2 Balancer 30-45 kg  
9 08 01 051 00 1 Balancer 45-60 kg



| 9 08 01 048 006 |     | 9 08 01 049 000<br>9 08 01 050 002 |     | 9 08 01 051 001 |     |
|-----------------|-----|------------------------------------|-----|-----------------|-----|
| 13 kg           | 190 | 22 kg                              | 200 | 45 kg           | 190 |
| ÷               |     | ÷                                  |     | ÷               |     |
| 25 kg           | 350 | 45 kg                              | 360 | 60 kg           | 350 |

