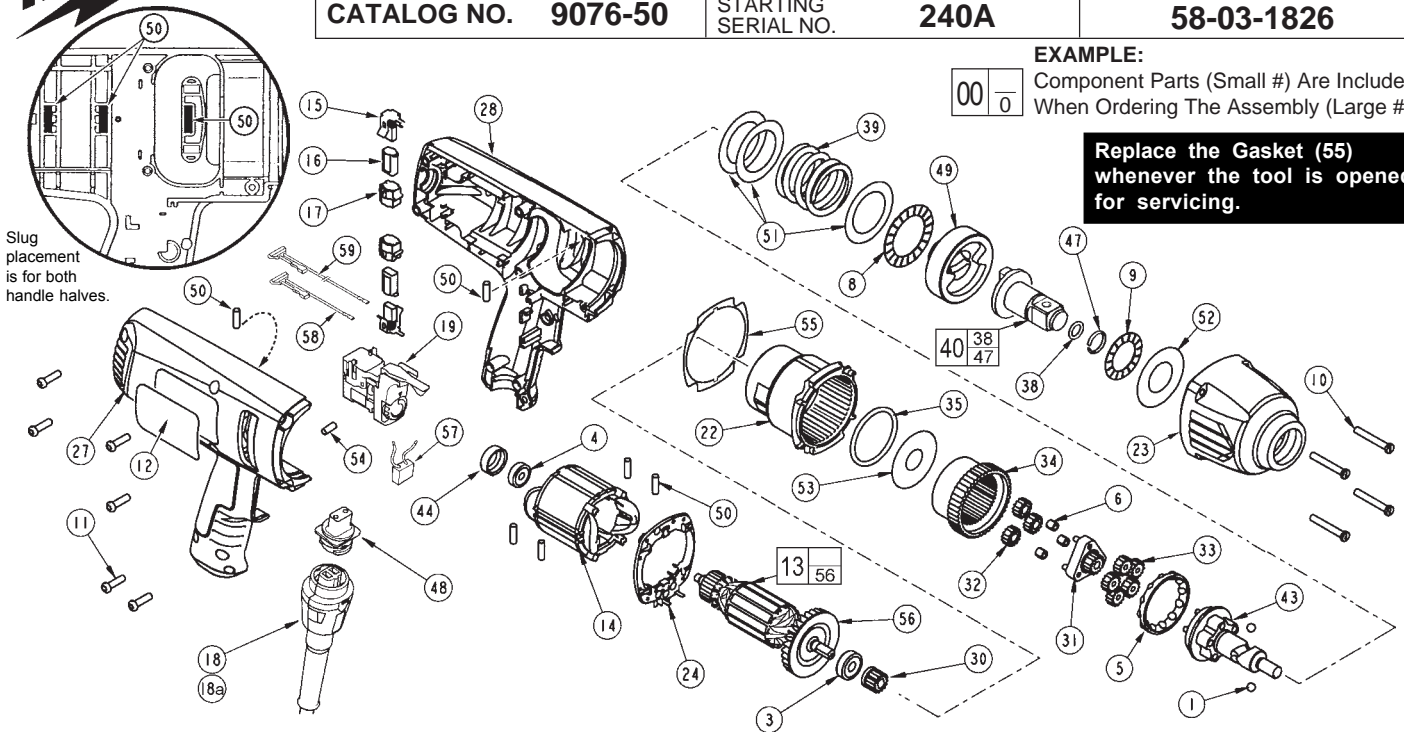




# SERVICE PARTS LIST

**BULLETIN NO.**  
**55-26-1825**

<b>SPECIFY CATALOG NO. AND SERIAL NO. WHEN ORDERING PARTS</b>		REVISED BULLETIN	DATE
<b>VARIABLE SPEED 3/4" D.I. IMPACT WRENCH</b>			Oct. 2003
<b>CATALOG NO.</b> 9076-50	<b>STARTING SERIAL NO.</b> 240A	<b>WIRING INSTRUCTION</b> <b>58-03-1826</b>	



**EXAMPLE:**  

00	0
----	---

 Component Parts (Small #) Are Included When Ordering The Assembly (Large #).

**Replace the Gasket (55) whenever the tool is opened for servicing.**

Slug placement is for both handle halves.

FIG.	PART NO.	DESCRIPTION OF PART	NO.REQ.
1	02-02-0250	1/4" Ball	(2)
3	02-04-0852	Ball Bearing	(1)
4	02-04-0645	Ball Bearing	(1)
5	02-40-0050	Angular Contact Bearing	(1)
6	02-50-3250	Unit Cage Bearing	(3)
8	02-80-0200	Thrust Bearing	(1)
9	02-80-3256	Thrust Bearing	(1)
10	05-88-5988	K50 x 35mm Screw	(4)
11	06-95-6290	M5 x 2.24 x 18 Plastite Screw	(6)
12	12-20-9074	Service Nameplate Kit	(1)
13	16-14-2220	Armature	(1)
14	18-04-2210	Field	(1)
15	22-18-0040	Brush Assembly	(2)
16	22-20-0110	Brush Tube	(2)
17	22-20-0465	Brush Tube Holder	(2)
18	48-76-5012	Quik-Lok Cord Set	(1)
18a	22-64-0684	Quik-Lok Cord Set (Australia)	(1)
19	23-66-2775	Switch	(1)
22	28-14-0175	Gearcase	(1)
23	14-38-0100	Front Housing Assembly	(1)
24	31-15-2045	Field Connector	(1)
27	31-44-2176	Right Handle	(1)
28	31-44-2181	Left Handle	(1)
30	32-60-0150	Sun Gear	(1)
31	32-60-0175	Sun Gear	(1)
32	32-62-0200	Planet Gear	(3)
33	32-62-0215	Planet Gear	(5)
34	32-65-0005	Ring Gear	(1)
35	34-40-0070	O-Ring	(1)
38	34-40-1210	O-Ring	(1)
39	40-50-0241	Spring	(1)
40	14-73-0156	Anvil Assembly	(1)
43	14-73-0300	Cam Shaft Assembly	(1)
44	42-96-0015	Bearing Cup	(1)
47	44-90-4540	Friction Ring	(1)
48	22-56-9072	Blade Housing Assembly	(1)
49	44-82-0210	Ram	(1)
50	45-30-0025	Rubber Slug	(6)
51	45-88-0535	Washer	(3)
52	45-88-1575	Washer	(1)
53	45-88-3250	Washer	(1)
54	45-30-0021	Rubber Slug	(1)
55	43-44-0991	Gasket	(1)
56	22-84-0375	Fan	(1)
57	22-33-0550	Suppressor Assembly	(1)
58	23-94-0275	Leadwire Assembly	(1)
59	23-94-0276	Leadwire Assembly	(1)

**NOTE:** The service replacement anvil assembly #40 comes with a friction ring and o-ring on the front for the socket retaining system. Early tool designs used anvils that had a detent pin and detent spring to secure the sockets. The individual service parts are still available for the early design utilizing the detent pin (No. 44-60-1170) and detent spring (No. 40-50-8320).

**ANVIL ASSEMBLY**  
with detent pin and spring

**ANVIL ASSEMBLY**  
with friction and o-ring

- FIG. 4** NOTES:  
Orient bearing seal (black side) toward the commutator.
- 10** Torque to 37-42 in./lbs.
- 11** Torque to 25-30 in./lbs.
- 16** At the time of brush replacement, the tool should be lubricated with Type "J" Grease, No.49-08-4220.
- FIG. 23,34,42, 43,49** **LUBRICATION (Type "J" Grease, No.49-08-4220):**  
Lightly coat with grease the Ring Gear (34) and the bearing races of the Camshaft Planet Carrier (43), the back bearing surface of the Ram (49) and the I.D. the Front Housing Bushing (42).
- 7,40** Place a dab of grease in the Needle Bearing (7) inside the Anvil (40).
- 31,32,33,43** Fill with grease the center of the five Planet Gears (33) on the Camshaft Assembly (43). Fill the center of the three Planet Gears (32) on the Sun Gear (31).
- 49** Place approximately 1/2 oz. of grease in the front cavity of the Ram.
- 43** Place approximately 1/2 oz. grease on the Camshaft (43) inside the Spring (39).