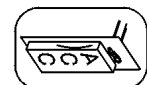
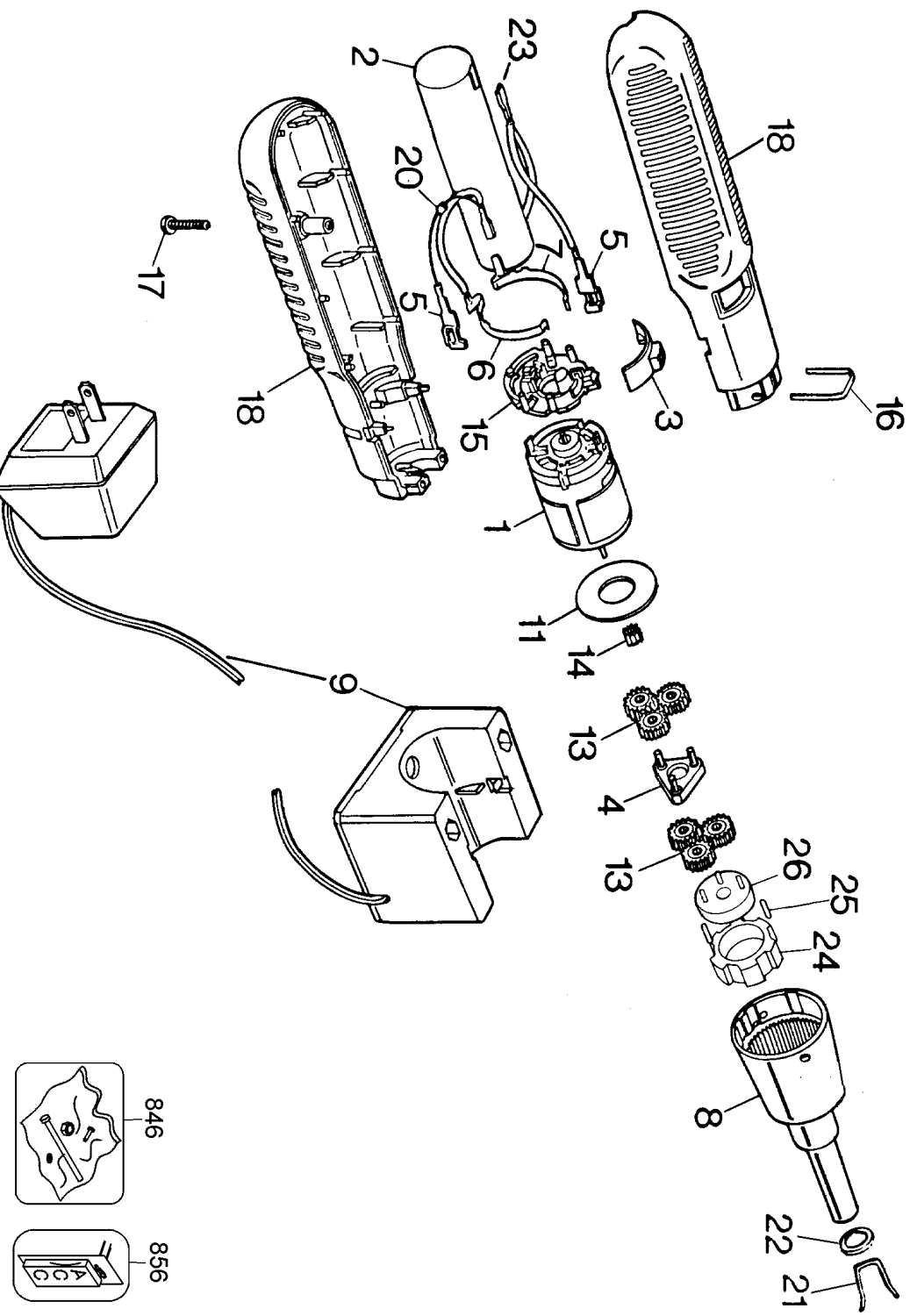


846



856



Parts List for 9072-35 Type 2

Item Number	Part Number	Description	Qty Required
1	000000-00	No Longer Available	1
1	143139-00	PINION,MOTOR	1
2	000000-00	No Longer Available	1
3	146892-00	BUTTON,SWITCH	1
4	150155-00	CARRIER,INTERM.	1
5	143155-00	CONTACT,CHRGN.	2
6	000000-00	No Longer Available	1
7	000000-00	No Longer Available	1
8	000000-00	No Longer Available	1
9	000000-00	No Longer Available	1
11	000000-00	No Longer Available	1
13	000000-00	No Longer Available	6
15	000000-00	No Longer Available	1
16	148347-00	CLIP	1
17	798659-00	SCREW	1
18	157990-14	HOUSING SET	1
20	91480-00	DIODE	1
21	000000-00	No Longer Available	1
22	000000-00	No Longer Available	1
23	51350-08	TERMINAL	2
24	000000-00	No Longer Available	1
25	91286-00	PIN	6
26	147139-00	CARRIER,OUTPUT	1
56	607918-41	SCREWDRIVER BIT	1
846	133385-12	HARDWARE BAG	1