



# SERVICE PARTS LIST

**BULLETIN NO.**  
54-26-1501

SPECIFY CATALOG NO. AND SERIAL NO. WHEN ORDERING PARTS		REVISED BULLETIN 54-26-1500	DATE Sept. '97
IMPACT WRENCH - 3/4" SQ. DRIVE ANVIL			
CATALOG NO.	9070	STARTING SERIAL NO.	462-59894
		WIRING INSTRUCTION 58-01-0525	

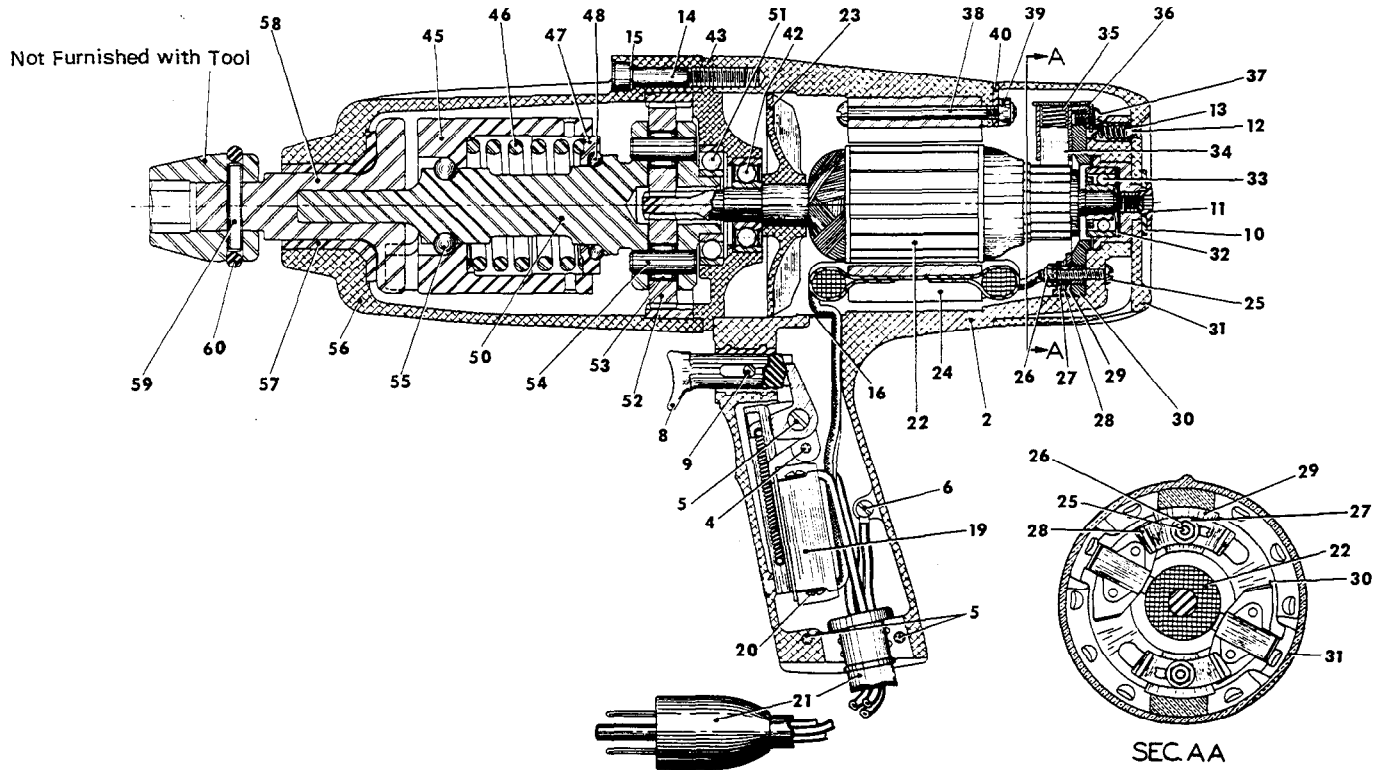


FIG.	PART NO.	DESCRIPTION OF PART	NO. REQ.	FIG.	PART NO.	DESCRIPTION OF PART	NO. REQ.
1	12-98-0130	Blank Nameplate (Not Shown)	(1)	33	02-04-5013	Ball Bearing	(1)
2	28-50-4045	Motor Housing (Incl. Fig. Nos. 3 thru 6)	(1)	34	22-16-0265	Brush	(2)
3	28-20-0110	Handle Plate (Not Shown)	(1)	35	23-52-0175	Brush Spring	(2)
4	06-81-6300	8-32x7/8 Fil. Hd. Screw	(1)	36	22-44-0120	Brush Retainer	(2)
5	06-81-6150	8-32x1/2 Fil. Hd. Screw	(3)	37	06-81-8510	5-40x1/4 Rd. Hd. Sem Screw	(2)
6	06-81-8625	6-32x 1/4 Ground Screw	(1)	38	06-81-4576	8-32x2-1/4 Rd. Hd. Screw (Incl. Fig. No. 39)	(2)
8	45-72-0070	Trigger	(1)	39	06-55-0810	Nut	(2)
9	44-60-0305	Trigger Stop Pin	(1)	40	42-28-0225	Reverse Stop	(1)
10	45-88-0467	Washer	(1)	42	02-04-1230	Ball Bearing	(1)
11	45-04-0210	Cap Retaining Screw	(1)	43	28-28-0430	Diaphragm	(1)
12	44-70-0155	Reverse Lock Plunger	(2)	44	43-81-0080	Hammer Assy. (Incl. Nos. 45 thru 55)	(1)
13	40-50-5050	Reverse Lock Plunger Spring	(2)	45	43-81-0075	Hammer	(1)
14	06-75-3250	1/4-20x1-1/2 Socket Hd. Screw	(3)	46	40-50-7580	Hammer Spring	(1)
15	06-97-4000	1/4" Split Ring Washer	(3)	47	42-24-0195	Thrust Bearing Race	(1)
16	45-12-0065	Dust Shield	(1)	48	02-80-6005	Thrust Bearing Ball	(20)
19	23-66-0585	Switch	(1)	49	36-10-0815	Planet Gear Frame Assy. (Fig. Nos. 50 thru 54)	(1)
20	06-81-8510	5-40x1/4 Rd. Hd. Sem Screw	(4)	50	36-10-0812	Planet Gear Frame	(1)
21	22-64-0425	Cord Set	(1)	51	02-08-0750	Thrust Bearing	(1)
22	16-42-1365	Armature (Incl. Fig. No. 23)	(1)	52	32-62-0065	Planet Gear (Incl. Fig. No. 53)	(2)
23	22-84-0075	Fan	(1)	53	02-50-2010	Planet Gear Needle Bearing	(2)
24	18-42-1205	Field	(1)	54	45-58-0195	Planet Gear Shaft	(2)
25	06-81-4554	6-32x7/8 Rd. Hd. Screw (Incl. Fig. No. 26)	(2)	55	02-02-2005	Cam Ball	(2)
26	06-55-0610	Nut	(2)	56	28-14-1295	Hammer Case Assy. (Incl. Fig. No. 57)	(1)
27	23-16-0335	Insulating Bushing	(2)	57	42-40-0475	Hammer Case Bushing	(1)
28	22-58-0065	Stationary Contact	(2)	58	42-06-0085	3/4" Square Drive Anvil	(1)
29	45-36-0475	Plate Spacer	(2)	59	44-60-0055	Socket Pin	(1)
30	22-22-0310	Brush Holder Plate	(1)	60	34-40-1400	Socket Pin Retainer	(1)
31	42-52-0145	Reverse Cap with Nameplate	(1)				
32	40-50-7690	Rear Armature Bearing Spring	(1)				