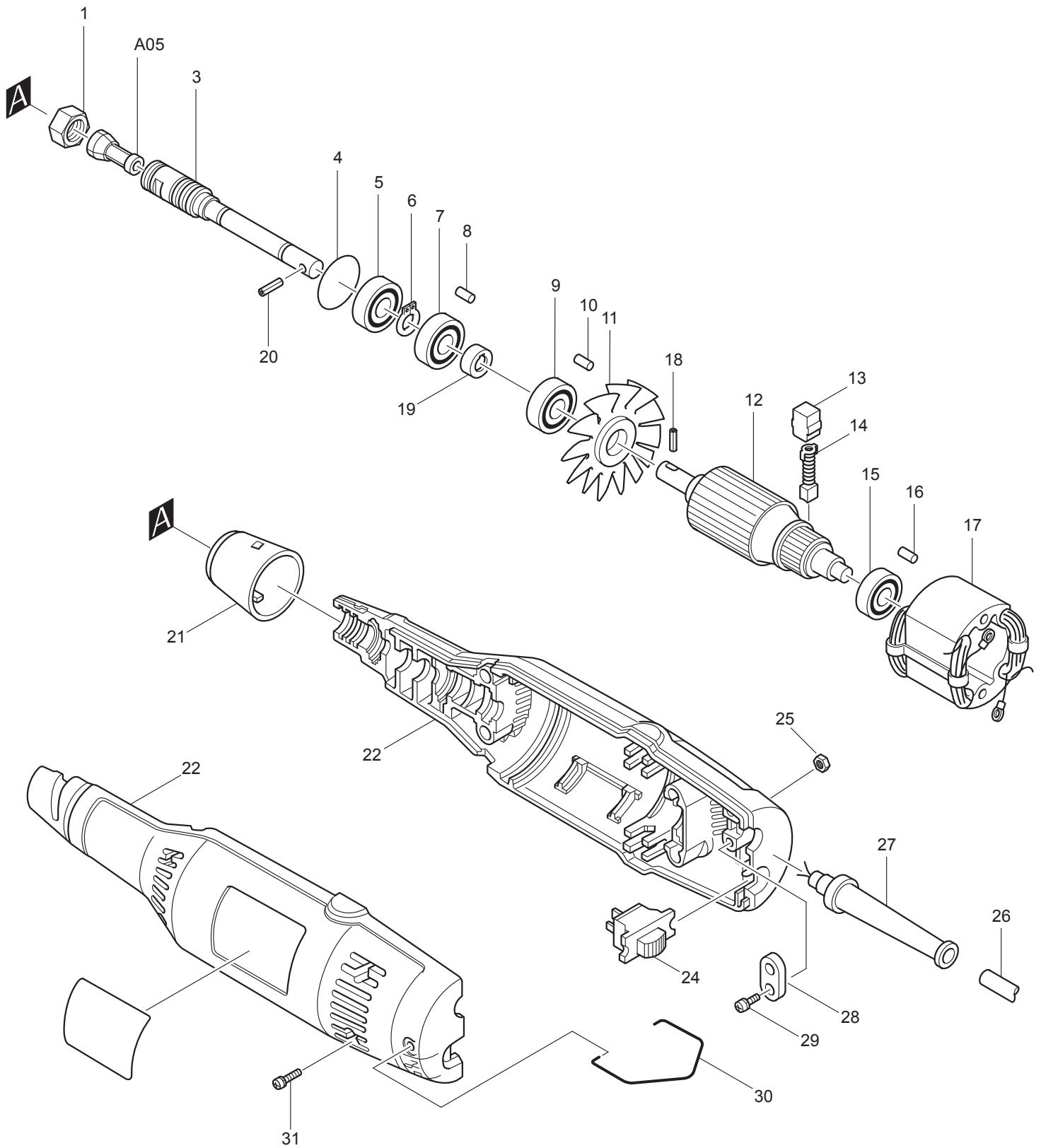




09 - 2010

906

1/4" DIE GRINDER (MJ, MBR)



Item No	Type	Ref	Part No	Description	Qty	Unit
1			763606-2	COLLET NUT 6	1	PC.
3			321194-1	SPINDLE	1	PC.
4			213373-4	* O RING 22	1	PC.
5			211031-6	BALL BEARING 608LLB (OLD# 211033-2)	1	PC.
6			961004-6	RETAINING RING S-8	1	PC.
7			211033-2	BALL BEARING 608LB	1	PC.
8			263002-9	RUBBER PIN 4	1	PC.
9			211031-6	BALL BEARING 608LLB (OLD#211033-2)	1	PC.
10			263002-9	RUBBER PIN 4	1	PC.
11			241100-9	FAN 52	1	PC.
12	2		511401-2	ARMATURE ASS'Y 115V (OLD# 611401-3)	1	PC.
		INC.		Item No. 9, 11, 15	1	PC.
13	1		643562-1	BRUSH HOLDER 5X8	2	PC.
	2		643552-4	BRUSH HOLDER	2	PC.
14	1		191956-9	CARBON BRUSH CB-75, 2PCS/SET W/O ORIGIN - N/L/A	1	SET
	2		194971-2	CARBON BRUSH CB-75 2PC/SET W/ ORIGIN	1	SET
15			211028-5	BALL BEARING 627LB	1	PC.
16			263002-9	RUBBER PIN 4	1	PC.
17	2		521386-4	* FIELD ASS'Y 115V (MJ) (OLD# 621386-5)	1	PC.
		INC.	654002-4	TERMINAL 1.25-M4	2	PC.
	3		528634-2	* FIELD ASS'Y 115V (MBR)	1	PC.
		INC.	654002-4	TERMINAL 1.25-M4	2	PC.
	4		527076-7	* FIELD ASS'Y 115V (MBR)	1	PC.
		INC.	654002-4	TERMINAL 1.25-M4	2	PC.
18			951057-3	* SPRING PIN 3-12	1	PC.
19			410986-4	* COUPLING	1	PC.
20			951057-3	* SPRING PIN 3-12	1	PC.
21	1		341553-3	* CAP (TYPE 1)	1	PC.
	2		153549-0	* CAP COMPLETE (TYPE 2)	1	PC.
		INC.	810341-4	CAUTION LABEL	1	PC.
22	1		183416-5	* MOTOR HOUSING SET	1	SET
	2		187398-3	* MOTOR HOUSING SET	1	SET
24	1		651523-7	* SWITCH WS107ADT-1	1	PC.
	2		651527-9	* SWITCH	1	PC.
25			931102-0	HEX NUT M4	4	PC.
26			664064-4	CORD W/PLUG 2P-18-2.5M, SJ	1	PC.
27			682500-8	CORD GUARD 8.5-72	1	PC.
28			687002-9	STRAIN RELIEF F/ SJ CORD	1	PC.
28			687001-1	STRAIN RELIEF F/ SJT CORD	1	PC.
29			911133-5	PAN HEAD SCREW M4X18 (OLD# 911131-9)	2	PC.
30			321193-3	HANGER	1	PC.
31			911148-2	PAN HEAD SCREW M4X25	4	PC.
100			654509-0	CLOSED END TERMINAL 2-SD	1	PC.

ACCESSORIES

- See catalogue or visit www.makita.ca for more optional accessories -

A01			741809-8	DRESSING STONE	1	PC.
A02			781003-0	WRENCH 10 (F/ SPINDLE)	1	PC.
A03			781008-0	WRENCH 17 (F/ COLLET NUT)	1	PC.
A04			741617-7	WHEEL POINT 1-19-60 (1/4" SHANK)	1	PC.
			741616-9	WHEEL POINT 4-19-60 (1/4" SHANK)	1	PC.
A05			763625-8	COLLET CONE 1/4"	1	PC.
			763626-6	COLLET CONE 1/8"	1	PC.