



SERVICE PARTS LIST

IMPACT WRENCH -1/2" SQ. DRIVE ANVIL

Catalog No. **9052**

Starting Serial No. **549-1001**

Specify Catalog and Serial No. when ordering parts

BUL. 54-26-1325

REVISED BUL. DATE
March '79

WIRING INSTRUCTIONS
58-01-0527

FOR CAT. NO. 9052-2
(240V.) TOOL USE:

16-16-0160 ARMATURE
18-16-0020 FIELD
22-64-0871 CORD SET

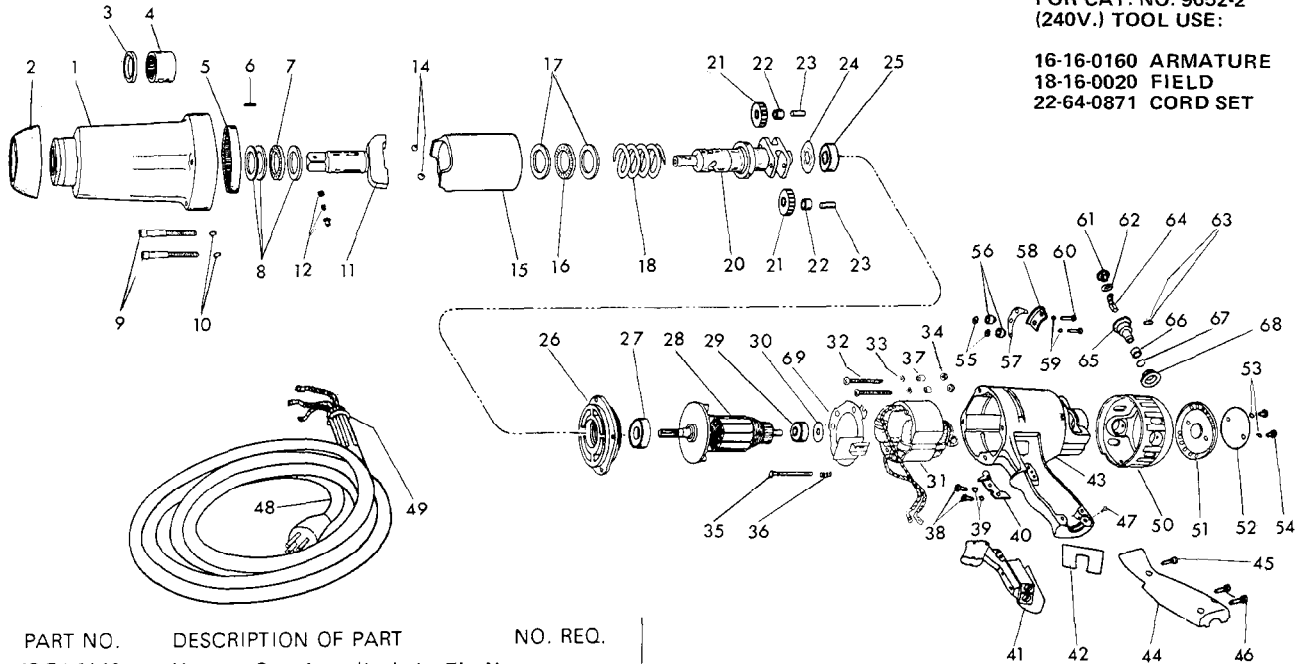


FIG.	PART NO.	DESCRIPTION OF PART	NO. REQ.
1	42-54-0140	Hammer Case Assy. (Includes Fig. Nos. 2 thru 8)	(1)
2	44-76-0030	Rubber Protector	(1)
3	45-06-0210	Oil Seal	(1)
4	02-50-4835	Roller Bearing	(1)
5	36-10-0070	Internal Gear	(1)
6	06-65-1528	Roll Pin	(1)
7	02-80-1525	Needle Thrust Bearing	(1)
8	45-88-7400	Race Thrust	(3)
9	06-75-2120	10-24x1-1/2 Skt. Hd. Screw	(4)
10	06-97-3400	No. 10 Split Ring Lockwasher	(4)
11	42-06-0110	Anvil Assembly (Includes Fig. No. 12)	(1)
12	44-86-0280	Socket Retainer Assembly	(1)
13	43-81-0095	Pinion Carrier & Hammer Assy. (Part Nos. 14 thru 25)	(1)
14	02-02-0260	Steel Ball	(2)
15	43-81-0090	Hammer	(1)
16	02-80-1525	Needle Thrust Bearing	(1)
17	45-88-7400	Race Thrust	(2)
18	40-50-4910	Spring	(1)
19	36-10-0065	Pinion Carrier Assy. (Includes Fig. Nos. 20 thru 25)	(1)
20	36-10-0060	Pinion Carrier	(1)
21	32-60-1070	Planetary Gear & Bearing Assy. (Includes Fig. No. 22)	(2)
22	02-50-1610	Needle Bearing	(2)
23	06-65-0955	Planetary Pinion Pin	(2)
24	45-88-0740	Pin Stop Washer	(1)
25	02-04-1225	Ball Bearing	(1)
26	28-28-0650	Gear Case Cover	(1)
27	02-04-1050	Ball Bearing	(1)
28	16-10-0160	120V. Armature	(1)
29	02-04-0740	Ball Bearing	(1)
30	45-88-0730	Washer	(1)
31	18-10-0020	120 V. Field	(1)
32	06-81-4576	8-32x2-1/4 Rd. Hd. Field Screw	(2)
33	45-88-0720	Washer	(2)
34	06-57-2975	8-32 Elastic Stop Nut	(2)
35	44-70-0180	Plunger	(1)
36	40-50-0090	Spring	(1)
37	45-36-0870	Spacer	(2)
38	06-95-2220	8-32x1/4 Rd. Hd. Thread Form Screw	(2)

FIG.	PART NO.	DESCRIPTION OF PART	NO. REQ.
39	06-97-3200	No. 8 Split Ring Lockwasher	(2)
40	44-10-0120	Lever Assembly	(1)
41	23-66-0730	Switch	(1)
42	23-16-0790	Switch Insulator	(1)
43	28-50-4700	Housing Assy. (Includes Fig. Nos. 44, 45 and 46)	(1)
44	28-20-3200	Handle Cover	(1)
45	06-81-0980	8-32x3/4 Fillister Hd. Screw	(1)
46	06-81-0920	8-32x5/8 Fillister Hd. Screw	(2)
47	06-81-8625	Grounding Screw	(1)
48	22-64-0870	Cord Set (Includes Fig. No. 49)	(1)
49	44-90-0280	Clinch Ring	(1)
50	42-52-0260	Cap	(1)
51	44-86-0270	Cap Retainer	(1)
52	12-90-0150	Nameplate	(1)
53	06-97-3400	No. 10 Split Ring Lockwasher	(2)
54	06-81-4592	10-24x5/16 Rd. Hd. Screw	(2)
55	06-55-0600	6-32 Hex Nut	(4)
56	22-72-0090	Terminal Insulator	(4)
57	22-58-0080	Reversing Contact Clip	(2)
58	43-86-0090	Insulator	(2)
59	06-97-3175	No. 6 Split Ring Lockwasher	(4)
60	06-81-4205	6-32x3/4 Rd. Hd. Screw	(4)
61	23-44-0060	Brush Holder Cap	(2)
62	23-86-0050	Brush Cap Gasket	(2)
63	06-83-1840	8-32x1/4 Hdls. Skt. Hd. Screw	(2)
64	22-18-0560	Carbon Brush	(2)
65	22-22-0360	Brush Holder Assy. (Includes Fig. Nos. 66 and 67)	(2)
66	44-96-0070	Reversing Contact Roller	(2)
67	34-60-0515	Retaining Ring	(2)
68	43-86-0080	Insulator	(2)
69	42-14-0230	Baffle	(1)
70	12-98-7081	Caution Label (Not Shown)	(1)
71	42-38-0160	Rubber Bumper (Not Shown)	(1)
72	44-86-0281	Blunt Nose Socket Retainer Assy. (Not Shown)	(1)