

PARTS LEGEND

Cordless 16 ga. Angled Finish Nailer, 900600

1	900640	1	Grille	58	900795	1	Nameplate
*2	900648	1	Filter	59	900598	2	Sems Screw 10-32 x 5/16"
3	901064	4	Shoulder Screw 8-32 x 1-3/8"	61	404385	1	Light Pipe
4	900596	1	Screw, Sems 8-32 x 7/16"	62	900731	1	Handle, Rightside
5	902012	1	Cap	**63	900496	1	Warning Label
6	901119	1	Retaining Ring	64	900508	1	International Label
8	901112	1	Fan Motor Assembly with ring	65	404922	2	Battery Contact Pad
*13	401356	1	Motor Sleeve	66	900726	1	Slide Switch Assembly
14	900714	1	Spark Plug Assembly	67	401450	2	Battery Pad
15	900674	1	Wire Clip	68	900792	2	Soc. Hd. Shoulder Screw 8-32
16	900697	1	Stem Adapter	69	900770	1	Brad Channel
17	405140	4	Screw 8-32 x 3/8" (red)	70	900773	1	Magazine Extrusion
18	900785	1	Insulator	■ 71	900660	2	Screw 10-32 x 3/8"
19	900739	1	Cylinder Head Circuit Board Assembly	72	900722	1	Follower Pin
20	900605	1	Cylinder Head	73	900679	1	Follower
21	900612	4	Seal Ring	74	900691	1	Compression Spring
22	900709	1	Fan Assembly	75	900627	1	Negator Spring
23	900700	1	Air Dam	76	900720	1	Follower Core
24	900729	1	Combustion Chamber Assembly	77	901111	2	Housing Label
25	900704	1	Yoke	78	900724	1	Screw Plastite 8-16 x 5/8"
27	900734	1	Roll Pin	79	900617	1	Follower Body
28	900727	1	Knob w/ Yoke Guide Assembly	80	901066	4	Screw Plastite 8-16 x 3/4"
29	900707	2	Probe Bumper	81	900289	1	Belt Hook
30	900804	2	Spring Guide Assembly	82	900732	1	Handle, Leftside
31	Removed			83	900703	1	Handle Bracket
32	900688	1	Latch Cover Quick Clear	84	900755	1	Bushing Actuator
33	900786	1	Quick Clear Lever Assembly	85	900788	1	Actuator
35	900619	1	Dowel Pin	86	404433	1	Pin Actuator
36	900684	1	Front Plate	87	900765	1	Spark Plug Wire Assembly
38	900685	1	Latch Cover Pin	88	900663	1	Fan Wire Assembly
*39	900686	1	Probe	89	900661	1	Molded Circuit Assembly
40	900702	1	Probe Tip	90	900629	1	High Tension Clip
41	900708	2	S.H.C.S. 8-32 x 1/2" (red)	91	404702	1	Screw 6-32 x 3/8"
42	900692	1	Retaining Cup	92	900626	1	Trigger Spring
43	900772	1	Nose	93	900608	1	Trigger Spring Bushing
44	900631	1	Spring	94	900632	1	Trigger with Pad
45	900602	1	Lockout Bar	95	900607	1	Trigger Pin
46	900630	1	Lockout Pin	96	900672	1	Electronic Spark Unit
48	900730	1	Sleeve Assembly	97	900696	1	Soft Grip
49	900616	1	O-Ring	98	900662	1	ESU Power Wire Assembly
50	901089	1	Exhaust Baffle	99	403099	1	Retaining Ring
51	900665	1	Reed Plate	100	403098	1	Piston Ring
52	900664	1	Reed Valve	*101	900728	1	Piston Assembly
53	900609	1	Muffler	*102	900680	1	Piston Bumper
54	900668	1	Muffler Cover	103	900746	2	Screw 8-32 x 7/16"
56	900620	1	Front Channel Extrusion	104	900754	1	Screw 8-32 x 1/2" (yellow)
				105	900645	1	Ball, knob
				106	900766	1	Pad, Molded Circuit Board

** Make sure Warning Label (900496) is properly affixed replace if necessary. Label is available at no charge through the Service Dept.

→ Denotes New Change

■ Apply Loctite RC-620 (Green) Part No. 401491

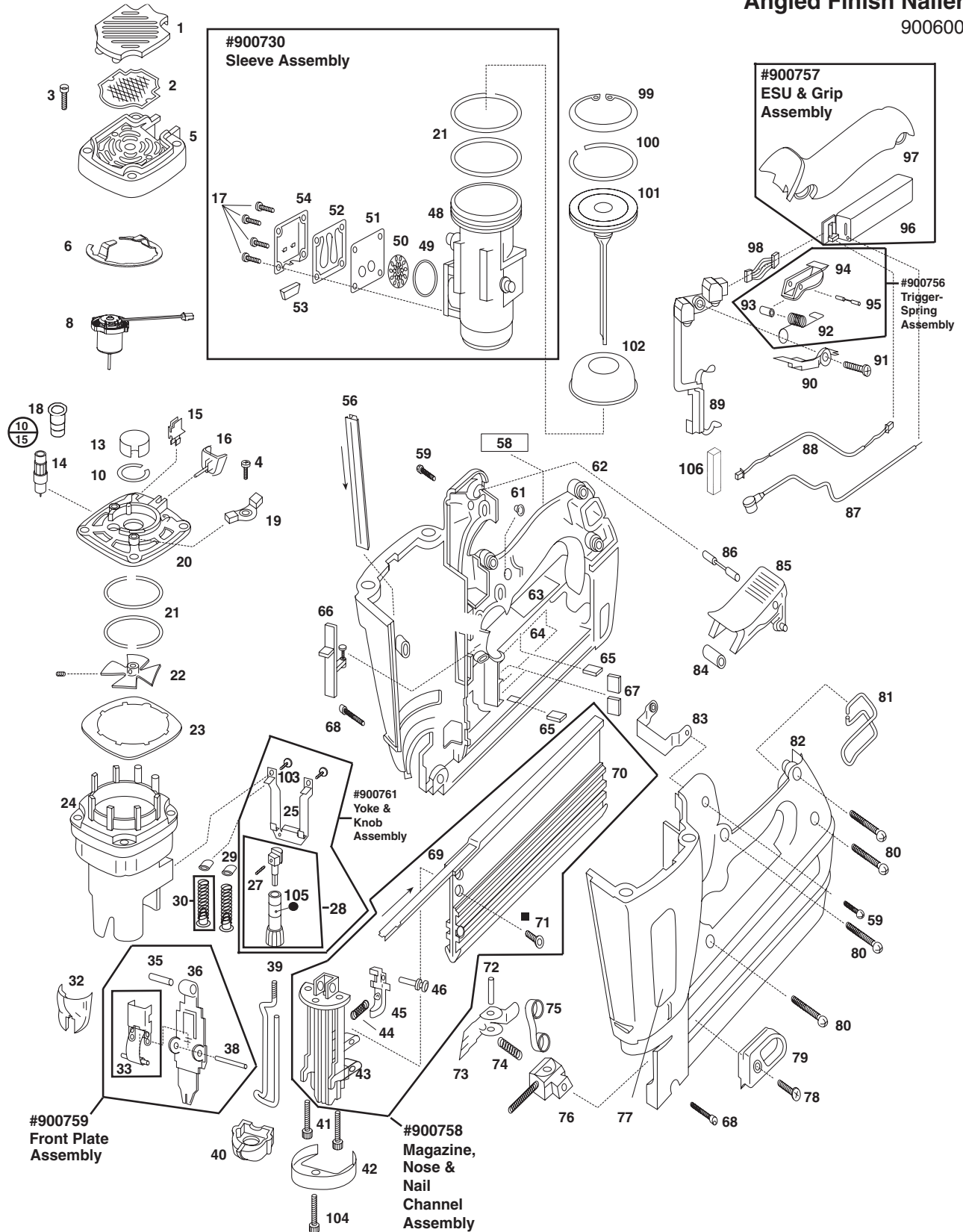
SAFETY INSTRUCTIONS

WEAR EYE AND HEARING PROTECTION



Always wear hearing protection and eye protection devices, including side shields when operating or working in the vicinity of a tool.

**Cordless 16 ga.
Angled Finish Nailer**
900600



▲ WARNING
All parts must be periodically inspected and replaced if worn or broken. Failure to do this can affect the tool's operation and present a safety hazard.