



SERVICE PARTS LIST

BUL. 54-26-1000

IMPACT WRENCH

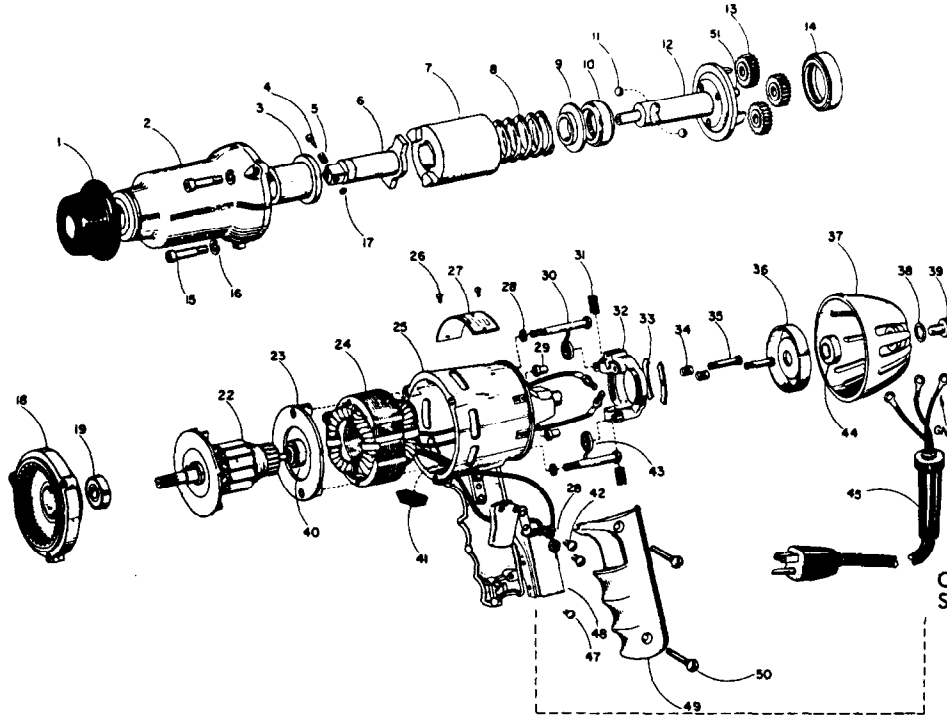
REVISED BUL. 6320-1 DATE Feb. '68

Catalog No. 9000

Starting Serial No. **320-1001**

WIRING INSTR.

Both Model and Serial No. must be furnished to obtain correct parts.



CORRECTS & SUPERSEDES SERVICE BULLETIN 6320-1

ILLUSTRATED PARTS

FIG.	PART NO.	DESCRIPTION	FIG.	PART NO.	DESCRIPTION
1	42-52-0110	Protection Cap	27	12-98-6100	Name Plate
2	14-30-0230	Gear Case Assy. (Includes item 3)	28	06-97-3200	No. 8 Split Ring Lock Washer (4)
3	42-40-0250	Bushing	29	23-16-0230	Bushing Insulator (2)
4a	44-60-0300	Ball End Locking Pin (Specify	30	06-81-4575	8-32x2 Rd. Hd. Machine Screw (2)
4b	44-60-0310	Flat End Locking Pin One)	31	22-16-0210	Brush (2)
5	40-50-4800	Spring	32	23-39-0050	Rocker Ring
6	42-06-0050	Anvil (Includes item 4a, 5, 17) Specify	33	22-58-0050	Contact (2)
	42-06-0060	Anvil (Includes item 4b, 5, 17) One	34	40-50-5000	Contact Spring (2)
*7	43-81-0050	Impactor	35	23-74-0230	Pin Terminal (2)
8	40-50-4900	Impactor Spring	36	22-32-0120	Insulation Cap
9	43-56-0090	Spring Guide	37	28-12-0201	End Cap
10	02-80-1550	Thrust Bearing	38	06-97-2650	No. 5/16 Int. Tooth Lock Washer
11	02-02-0280	9/32 Steel Ball (2)	39	06-75-4350	5/16-24x1/2 Socket Hd. Cap Screw
12	36-10-0551	Cam Shaft (Includes item 51(3)) (3)	40	02-04-0600	Ball Bearing
13	32-62-0051	Planet Gear (3)	41	23-16-0240	Rubber Insulator
14	02-80-1850	Thrust Bearing	42	06-81-4565	8-32x1/4 Rd. Hd. Machine Screw (2)
15	06-75-2625	10-32x1-1/8 Socket Hd. Cap Screw (3)	43	23-52-0140	Brush Spring (2)
16	06-97-3400	No. 10 Split Ring Lock Washer (3)	44	45-88-0460	Neoprene Rubber Washer
17	42-76-0140	Collar	45	22-64-0360	Cord Set
18	28-28-1321	Diaphragm (Includes item 51)	47	06-81-8625	6-32x1/4 Rd. Hd. Machine Sems (bronze)
19	02-04-1000	Ball Bearing	48	23-66-0160	Switch
22	16-42-1320	Armature Assy.	49	28-20-3551	Handle Cover
23	42-14-0080	Baffle	50	06-81-3750	8-32x1 Oval Hd. Screw (2)
24	18-42-1150	Field Assy.	51	45-58-0160	Planet Gear Stud (2)
25	28-50-5071	Motor Housing			
26	06-77-0050	No. 0-5/32 Driv-In Screw (2)			

MISCELLANEOUS PARTS NOT SHOWN

49-96-0070 5/32 Allen Wrench