



SERVICE PARTS LIST

BULLETIN NO.
54-05-0640

SPECIFY CATALOG NO. AND SERIAL NO. WHEN ORDERING PARTS		REVISED BULLETIN	DATE
DOUBLE INSULATED HEAT GUN			Oct. '97
CATALOG NO.	8975	SERIAL NUMBER	731-1001
		WIRING INSTRUCTION SEE REVERSE SIDE	

00 0

EXAMPLE:
Component Parts (Small #) Are Included
When Ordering The Assembly (Large #).

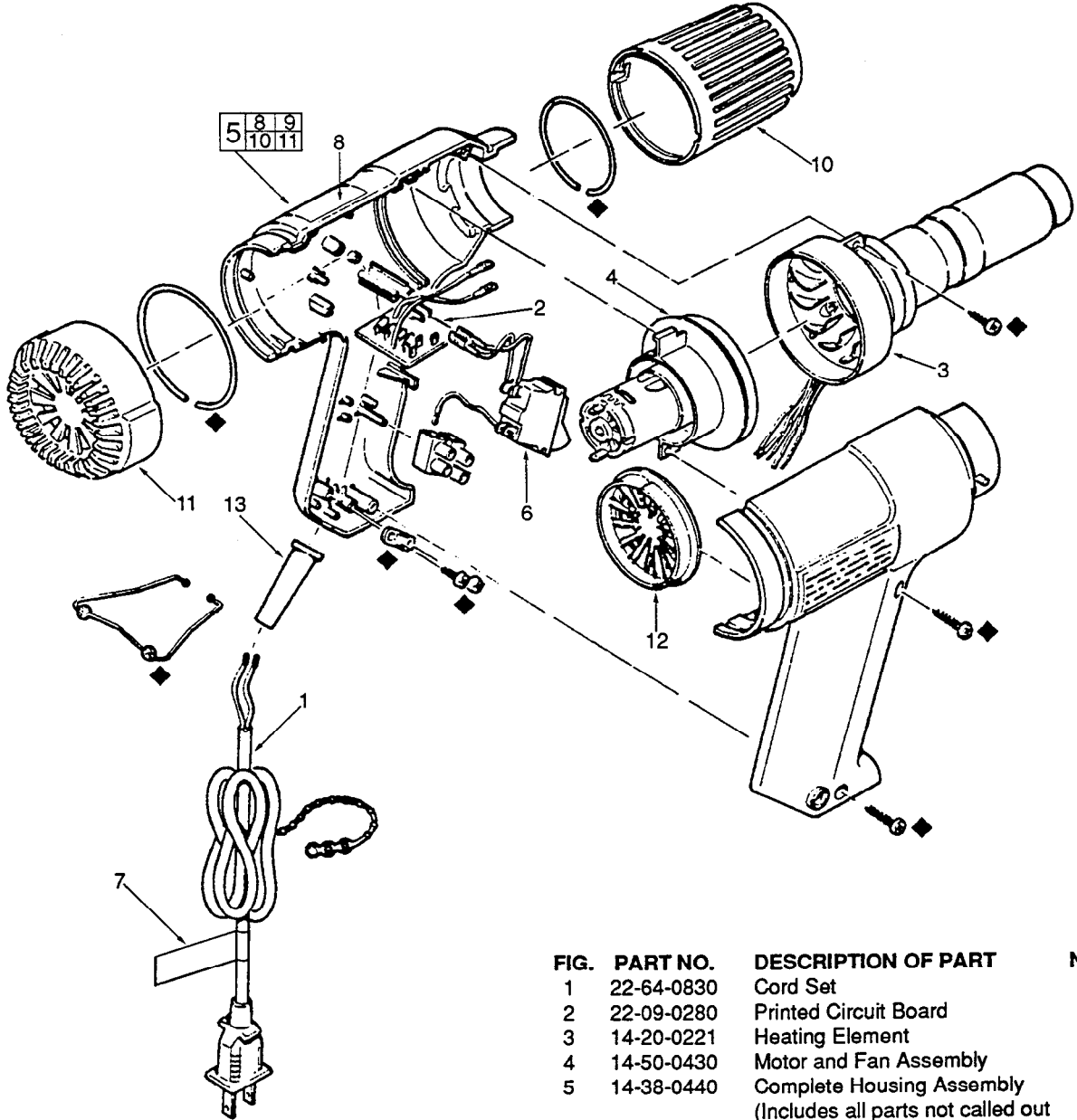
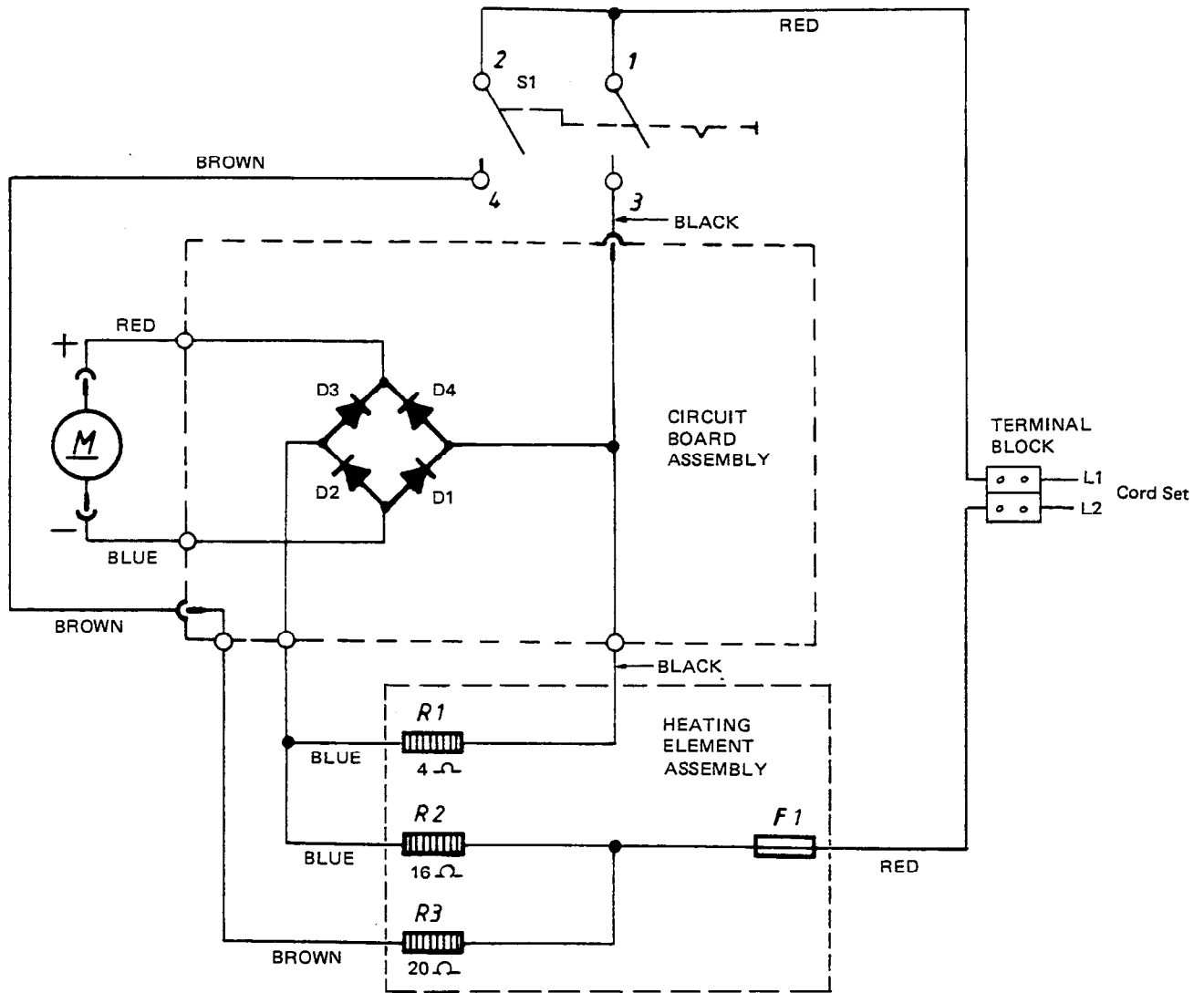


FIG.	PART NO.	DESCRIPTION OF PART	NO. REQ.
1	22-64-0830	Cord Set	(1)
2	22-09-0280	Printed Circuit Board	(1)
3	14-20-0221	Heating Element	(1)
4	14-50-0430	Motor and Fan Assembly	(1)
5	14-38-0440	Complete Housing Assembly (Includes all parts not called out individually and Fig. Nos. 8 thru 11)	(1)
6	23-66-1405	Switch	(1)
7	10-15-0385	Warning Label	(1)
8	12-20-1040	Service Nameplate Kit	(1)
9	14-46-8975	Repair Kit (Includes all ♦ Items)	(1)
10	31-55-0160	Nose Shield	(1)
11	31-12-0180	Cap	(1)
12	31-12-0210	Inlet Protection Cap	(1)
13	44-76-0135	Strain Relief	(1)

MILWAUKEE ELECTRIC TOOL CORPORATION
13135 W. LISBON RD., BROOKFIELD, WI 53005

Drwg. 2



Switch - S1
 Position "O" - Off
 Position "I" - Low Heat
 Terminals 1 & 3 Of Switch
 Are Connected Only
 Position "II" - High Heat.
 Terminals 1 & 3 Are
 Connected and Term.
 2 & 4 Are Connected.

