



# SERVICE PARTS LIST

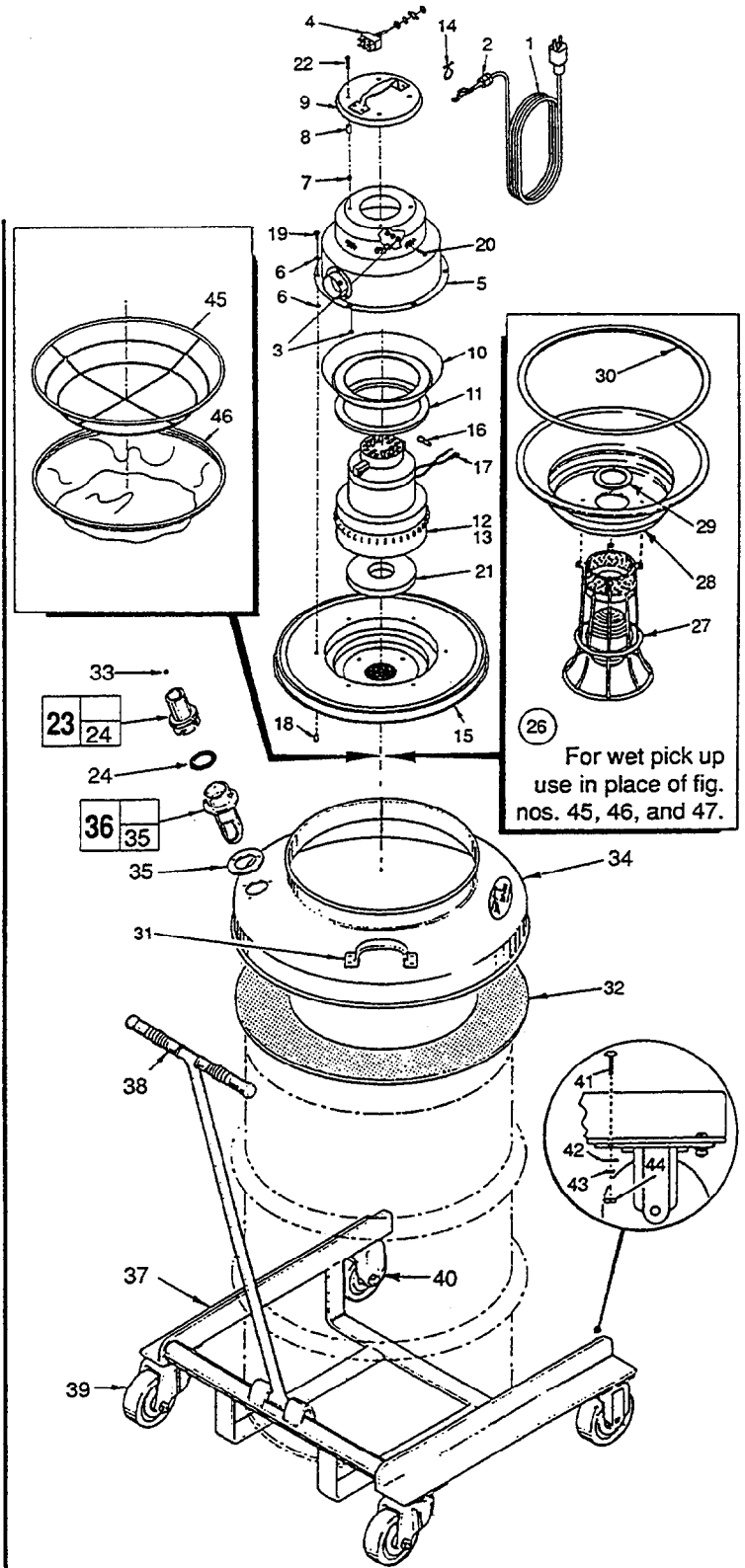
BULLETIN NO.  
55-05-0501

SPECIFY CATALOG NO. AND SERIAL NO. WHEN ORDERING PARTS		REVISED BULLETIN 55-05-0500	DATE Aug. '95
<b>VACUUM CLEANER MOTOR HEAD</b>			
CATALOG NO.	8945-2	STARTING SERIAL NO.	642A
		<b>SEE REVERSE SIDE</b>	

EXAMPLE:  
 Component Parts (Small #)  
 Are Included When Ordering  
 The Assembly (Large #).

Cat. No. 8945-2 Motor Head  
 (Includes Fig. Nos. 1-24)

FIG.	PART NO.	DESCRIPTION OF PART	NO. REQ.
1	22-64-3220	Cord Set	(1)
2	44-76-0230	Strain Relief	(1)
★ 3	06-55-3800	10-24 Hex Nut	(7)
4	23-66-0870	Switch	(1)
★ 5	42-92-1055	Dome Assembly	(1)
★ 6	45-88-8680	#12 Internal Tooth Lockwasher	(2)
★ 7	45-88-8695	.37 Dia. x .18 Nylon Spacer	(4)
★ 8	45-88-8700	.37 Dia. x .56 Nylon Spacer	(4)
★ 9	44-66-6175	Dome Cap With Handle	(1)
★ 10	42-04-3595	Baffle	(1)
★ 11	43-44-1025	Top Motor Gasket	(1)
★ 12	23-30-0310	240 V 3 Stage Motor	(1)
★ 13	22-18-0900	240 V Carbon Brush and Holder (Set)	(1)
★ 14	22-38-0170	Wire Tie	(1)
★ 15	42-92-1060	Cover Assembly	(1)
★ 16	23-71-0010	Wire Nut	(4)
★ 17	23-74-1280	Terminal	(1)
★ 18	44-76-0275	Screw Tip Protector	(6)
★ 19	06-81-1815	12 x 1/2 Phillips Type B Pan Hd. Screw	(6)
★ 20	06-81-1812	10-24 x 3/4" Phlp. Screw	(1)
★ 21	43-44-1030	Bottom Motor Gasket	(1)
★ 22	06-81-1825	10-24 x 1" Round Hd. Phlp. Screw	(4)
★ 23	49-90-0150	Swivel Hose Connector	(1)
★ 24	43-44-0275	Gasket	(1)
★	12-20-8900	Service Nameplate Kit	(1)
★	10-20-8900	Warning Label	(1)
★	10-05-5050	Conversion Label	(1)
26	49-90-1610	Wet Pick-Up Conversion Pan Assembly (Includes Fig. Nos. 27 thru 30)	(1)
27	42-46-0110	Float Cage Assembly	(1)
28	44-54-0050	Wet Pan Adapter	(1)
29	43-44-0340	Shut Off Gasket	(1)
30	43-44-0330	Gasket	(1)
	49-90-1590	16" Drum Adapter Assembly (Includes Fig. Nos. 31 thru 36)	(1)
31	43-62-0500	Handle	(2)
32	43-44-0350	Gasket	(1)
33	43-33-0490	Elbow (Not Shown)	(1)
34	42-04-0430	Drum Adapter	(1)
35	43-44-0370	Inlet Gasket	(1)
36	42-86-0080	Inlet Connector Assembly	(1)
37	49-90-1100	Four Wheel Drum Dolly (Includes Fig. Nos. 38 thru 44)	(1)
38	43-62-0510	Handle Grip	(2)
39	45-94-0300	5" Swivel Caster	(2)
40	45-94-0305	5" Rigid Caster	(2)
41	06-81-1810	1/4-20 Screw	(16)
42	45-88-1870	Flat Washer	(16)
43	06-97-4050	1/4 Split Lockwasher	(16)
44	06-55-1525	1/4-20 Hex Nut	(16)
★ 45	49-90-0275	Wire Frame	(1)
★ 46	49-90-0265	Cloth Filter and Gasket	(1)
47	49-90-0320	Dacron Filter Bag (Not Shown)	(1)



# WIRING SCHEMATIC

8911, 8912, 8912-2, 8925, 8925-2  
8926, 8935, 8945, 8945-2

