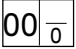




SERVICE PARTS LIST

BULLETIN NO.
54-05-0075

SPECIFY CATALOG NO. AND SERIAL NO. WHEN ORDERING PARTS		REVISED BULLETIN	DATE
7.5 GALLON WET OR DRY VACUUM CLEANER			Mar. 2001
CATALOG NO. 8936-20	STARTING SERIAL NO. SERIES S-1	WIRING INSTRUCTION 58-01-1161	

EXAMPLE:

 Component Parts (Small #) Are Included
 When Ordering The Assembly (Large #).

★=Part number change from
previous service parts list.

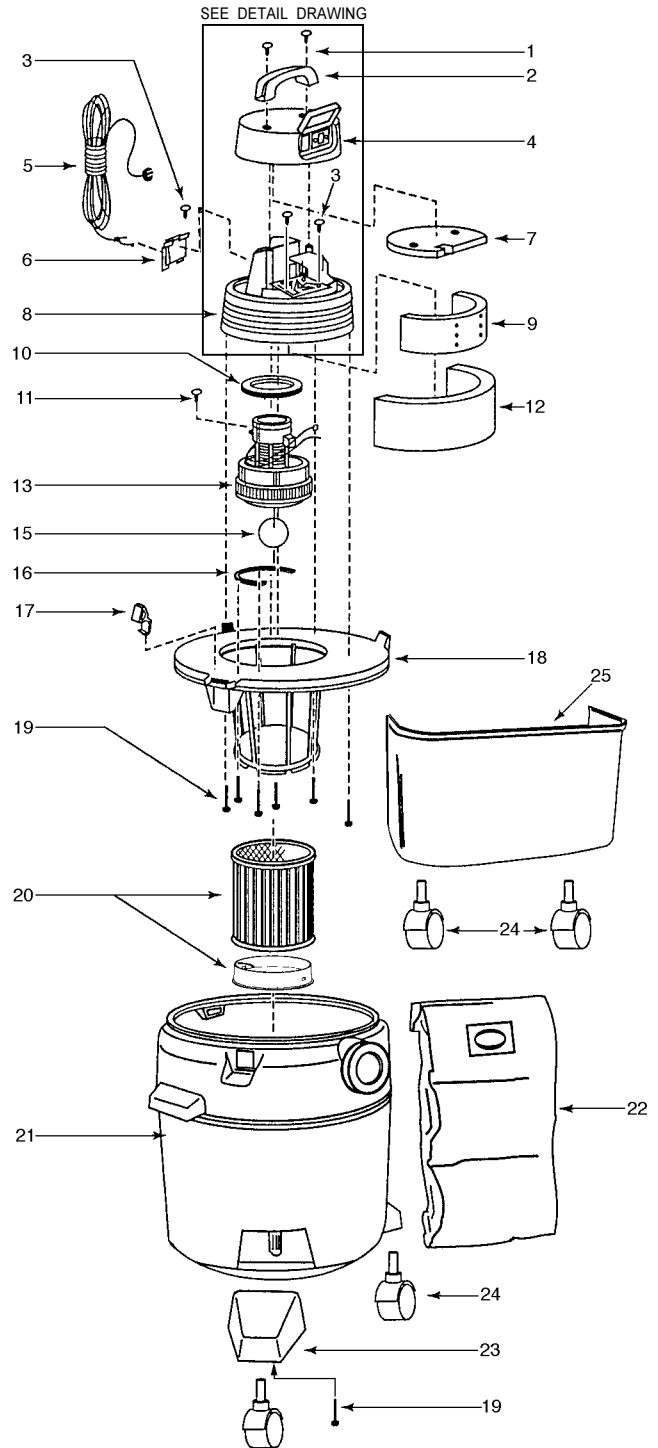
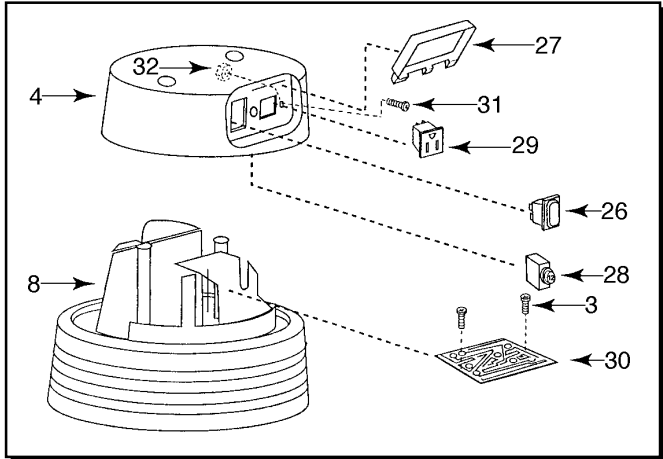


FIG.	PART NO.	DESCRIPTION OF PART	QTY.
1	06-81-5010	1/4 x 3/4 Type AB Screw	2
2	43-62-1185	Handle	1
3	06-81-5390	8 x 1/2 Type AB Screw	3
4	31-15-0530	Motor Housing Cover	1
5	22-64-0910	Cord	1
6	44-76-0300	Cord Retainer	1
7	43-84-0880	Cover Insert	1
8	31-50-1460	Motor Housing	1
9	43-76-0630	Inner Form Insert	1
10	43-44-1050	Upper Motor Gasket	1
11	06-95-4000	10-24 x 1/2 Ground Screw	1
12	43-76-0640	Outer Form Insert	1
13	23-30-0340	Motor	1
15	42-46-0100	Ball Float	1
16	43-44-0010	Lower Motor Gasket	1
17	42-68-0690	Lid Latch	3
18	31-15-0540	Lid Cage Assembly	1
19	06-95-4010	10 x 24 Type AB Screw	10
20	49-90-1830	Cartridge Filter	1
21	42-51-0450	Tank Assembly	1
22	49-90-0445	High Efficiency Filter (5) Pack	1
23	42-36-1840	Caster Bracket	2
24	45-94-0420	Caster	4
25	42-51-0255	Tool Basket	1
26	23-66-2550	Switch	1
27	42-92-1210	Switch Cover	1
28	22-36-0210	Circuit Breaker	1
29	23-33-0490	Receptacle	1
30	22-09-0760	Circuit Board Assembly	1
31	06-81-8705	10-24 x 1/2 Nylon Screw	1
32	06-55-1050	10-24 Hex Nut	1

Items Not Shown		
10-20-8936	French Warning Label	1
10-20-8938	Spanish Warning Label	1
10-20-9000	Auto Label	1
10-20-9010	Receptacle Label	1
10-20-9020	Circuit Breaker Label	1
10-20-9030	Switch Label	1
12-99-8936	Service Nameplate	1
22-18-0195	Carbon Brush Assembly	1
49-90-0155	Hose Adapter	1
49-90-0286	Poly Filter	1